



SMP Male Full Detent Hermetically Sealed Connector Solder Attachment Solder Mount Pin Terminal, .150 inch Pin Length

RF Connectors Technical Data Sheet

PE44921

Configuration

- Full Detent SMP Male Connector
- MIL-STD-348
- 50 Ohms
- Straight Body Geometry
- Pin Interface Type
- Solder Attachment
- Solder

Features

- Max. Operating Frequency 40 GHz
- Excellent VSWR of 1.25:1
- Gold Plated Kovar Contact
- Contact plating according to MIL-G-45204
- Blind Mate Connector
- Hermetically Sealed

Applications

- General Purpose Test

Description

Pasternack's PE44921 SMP male full detent solder mount hermetically sealed connector with solder attachment pin terminal is part of our full line of RF components available for same-day shipping. Our SMP male connector operates up to a maximum frequency of 40 GHz and offers excellent VSWR of 1.25:1. The Pasternack blind mate connector is ideal for applications where direct visual or tactile access to the connection point is not possible, for example, when two circuit boards need to be mated.

Our SMP male solder connector PE44921 datasheet specifications and drawing with dimensions are shown below in this PDF. Pasternack's broad catalog of RF, microwave and millimeter wave connectors allows designers to configure and customize their signal connections however they like. Whether the need is to provide an I/O for a board design, or simply create a custom cable assembly configuration, Pasternack has the right connector for the job. Pasternack can also expertly build your custom cable assemblies for you and ship same-day.

Electrical Specifications

Description	Minimum	Typical	Maximum	Units
Frequency Range	DC		40	GHz
VSWR			1.25:1	

Mechanical Specifications

Size	
Length	0.33 in [8.38 mm]
Width/Dia.	0.164 in [4.17 mm]
Weight	0.00224 lbs [1.02 g]

Click the following link (or enter part number in "SEARCH" on website) to obtain additional part information including price, inventory and certifications: [SMP Male Full Detent Hermetically Sealed Connector Solder Attachment Solder Mount Pin Terminal, .150 inch Pin Length PE44921](#)



SMP Male Full Detent Hermetically Sealed Connector Solder Attachment Solder Mount Pin Terminal, .150 inch Pin Length

RF Connectors Technical Data Sheet

PE44921

Material Specifications

Description	Material	Plating
Contact	Kovar	Gold MIL-G-45204
Body	Kovar	Gold MIL-G-45204

Environmental Specifications

Temperature

Operating Range -55 to +125 deg C

Compliance Certifications (see [product page](#) for current document)

Plotted and Other Data

Notes:

SMP Male Full Detent Hermetically Sealed Connector Solder Attachment Solder Mount Pin Terminal, .150 inch Pin Length from Pasternack Enterprises has same day shipment for domestic and International orders. Our RF, microwave and millimeter wave products maintain a 99% availability and are part of the broadest selection in the industry.

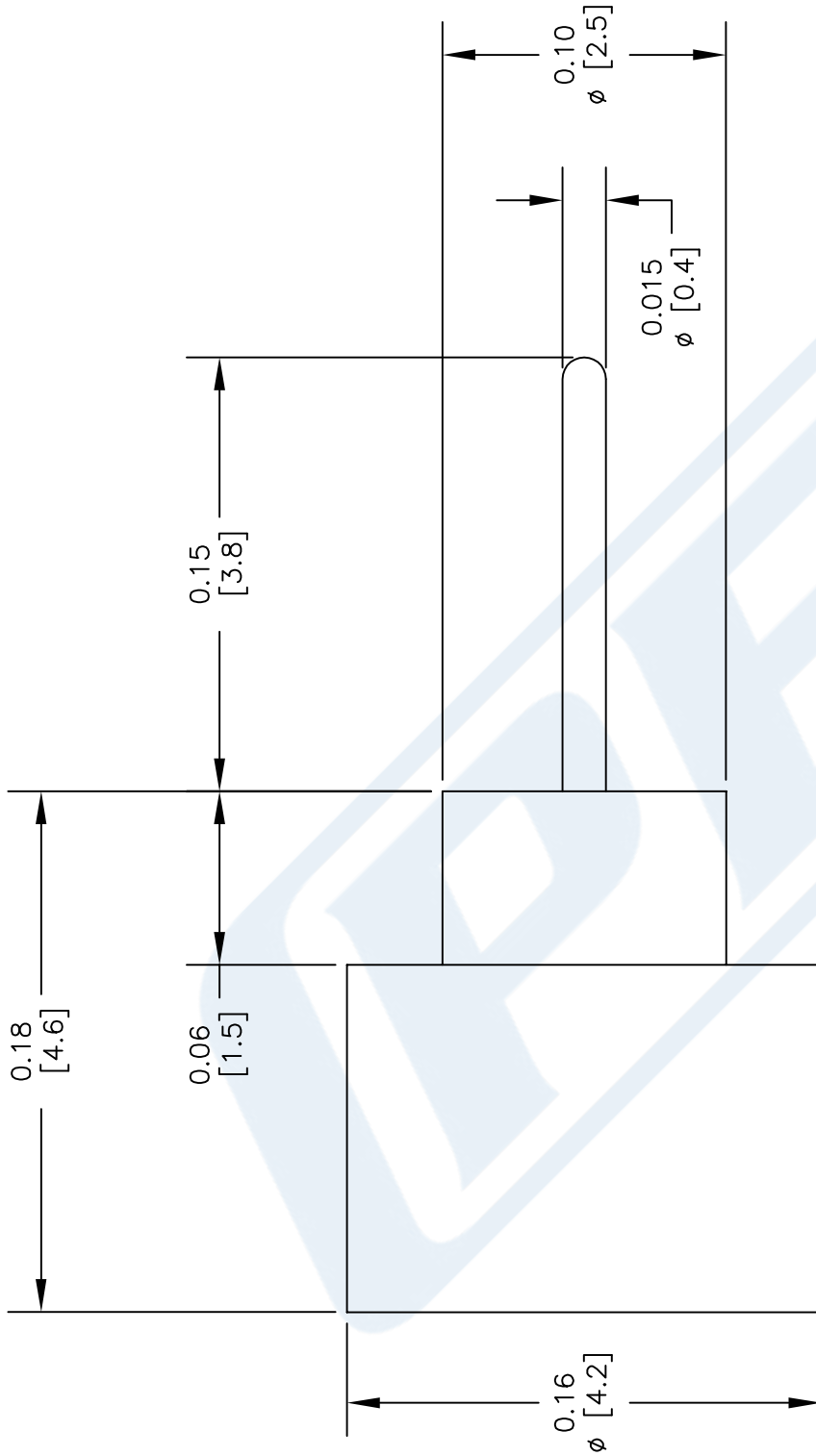
Click the following link (or enter part number in "SEARCH" on website) to obtain additional part information including price, inventory and certifications: [SMP Male Full Detent Hermetically Sealed Connector Solder Attachment Solder Mount Pin Terminal, .150 inch Pin Length PE44921](#)

URL: <https://www.pasternack.com/smp-male-standard-pin-terminal-connector-pe44921-p.aspx>

The information contained in this document is accurate to the best of our knowledge and representative of the part described herein. It may be necessary to make modifications to the part and/or the documentation of the part, in order to implement improvements. Pasternack reserves the right to make such changes as required. Unless otherwise stated, all specifications are nominal. Pasternack does not make any representation or warranty regarding the suitability of the part described herein for any particular purpose, and Pasternack does not assume any liability arising out of the use of any part or documentation.

PE44921 CAD Drawing

SMP Male Full Detent Hermetically Sealed Connector Solder Attachment Solder Mount Pin Terminal, .150 inch Pin Length



NOTES:
 1. UNLESS OTHERWISE SPECIFIED ALL DIMENSIONS ARE NOMINAL.
 2. ALL SPECIFICATIONS ARE SUBJECT TO CHANGE WITHOUT NOTICE AT ANY TIME.
 3. DIMENSIONS ARE IN INCHES [mm].

DWG TITLE
PE44921

CAD FILE 022714 SCALE N/A SIZE A 150

FSCM NO. 53919

PE PASTERNAK
 THE ENGINEER'S RF SOURCE
 Pasternack Enterprises, Inc.
 P.O. Box 16759 | Irvine | CA | 92623
 Phone: (949) 261-1920 | Fax: (949) 261-7451
 Website: www.pasternack.com | E-Mail: sales@pasternack.com