



SMA Female Precision Connector Clamp/ Solder Attachment for PE-P142LL

RF Connectors Technical Data Sheet

PE44814

Configuration

- SMA Female Connector
- 50 Ohms
- Straight Body Geometry
- PE-P142LL Interface Type
- Clamp/Solder Attachment
- Precision Design

Features

- Max. Operating Frequency 26.5 GHz
- Excellent VSWR of 1.18:1
- Gold over Nickel Plated Beryllium Copper Contact
- 50 µin minimum contact plating

Applications

- General Purpose Test
- Precision Test & Measurement
- Custom Cable Assemblies

Description

Pasternack's PE44814 SMA female precision connector with clamp/solder attachment for PE-P142LL is part of our full line of RF components available for same-day shipping. Our SMA female connector operates up to a maximum frequency of 26.5 GHz and offers excellent VSWR of 1.18:1.

Our SMA female connector PE44814 datasheet specifications and drawing with dimensions are shown below in this PDF. Pasternack's broad catalog of RF, microwave and millimeter wave connectors allows designers to configure and customize their signal connections however they like. Whether the need is to provide an I/O for a board design, or simply create a custom cable assembly configuration, Pasternack has the right connector for the job. Pasternack can also expertly build your custom cable assemblies for you and ship same-day.

Electrical Specifications

Description	Minimum	Typical	Maximum	Units
Frequency Range	DC		26.5	GHz
VSWR			1.18:1	
Insertion Loss			0.26	dB
Operating Voltage (AC)			335	Vrms
Dielectric Withstanding Voltage (AC)			1,000	Vrms
High Potential Voltage 5 to 7.5 MHz			670	Vrms
Corona Discharge at 70,000 ft			250	Vrms
Insulation Resistance	5,000			MOhms
RF Leakage	90			dB

Click the following link (or enter part number in "SEARCH" on website) to obtain additional part information including price, inventory and certifications: [SMA Female Precision Connector Clamp/Solder Attachment for PE-P142LL PE44814](#)



SMA Female Precision Connector Clamp/
Solder Attachment for PE-P142LL

RF Connectors Technical Data Sheet

PE44814

Performance by Frequency

Description	F1	F2	F3	F4	F5	Units
Frequency Range	DC to 18	18 to 22	22 to 26.5			GHz
VSWR, Max	1.14:1	1.16:1	1.18:1			

Electrical Specification Notes:
Insertion loss: 0.05 x sqrt(fGHz) dB max.

Mechanical Specifications

Size

Length	1.26 in [32 mm]
Width/Dia.	0.37 in [9.40 mm]
Weight	0.022 lbs [9.98 g]

Material Specifications

Description	Material	Plating
Contact	Beryllium Copper	Gold over Nickel 50 µin minimum
Insulation	PTFE	
Body	Passivated Stainless Steel	SAE-AMS-2700

Environmental Specifications

Temperature

Operating Range	-65 to +165 deg C
-----------------	-------------------

Click the following link (or enter part number in "SEARCH" on website) to obtain additional part information including price, inventory and certifications: [SMA Female Precision Connector Clamp/Solder Attachment for PE-P142LL PE44814](#)



SMA Female Precision Connector Clamp/ Solder Attachment for PE-P142LL

RF Connectors Technical Data Sheet

PE44814

Compliance Certifications (see [product page](#) for current document)

Plotted and Other Data

Notes:

SMA Female Precision Connector Clamp/Solder Attachment for PE-P142LL from Pasternack Enterprises has same day shipment for domestic and International orders. Our RF, microwave and millimeter wave products maintain a 99% availability and are part of the broadest selection in the industry.

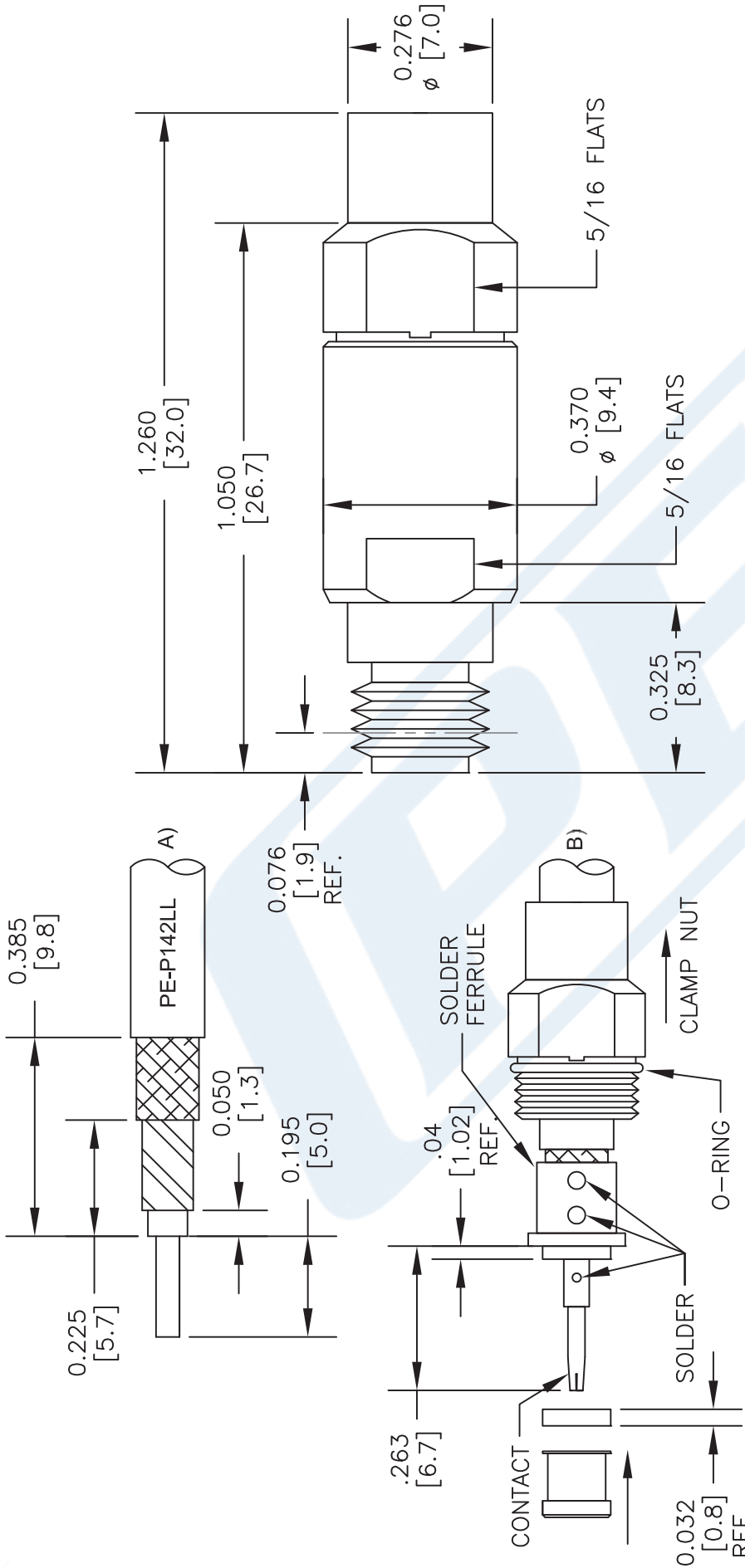
Click the following link (or enter part number in "SEARCH" on website) to obtain additional part information including price, inventory and certifications: [SMA Female Precision Connector Clamp/Solder Attachment for PE-P142LL PE44814](#)

URL: <https://www.pasternack.com/sma-female-pe-p142ll-connector-pe44814-p.aspx>

The information contained in this document is accurate to the best of our knowledge and representative of the part described herein. It may be necessary to make modifications to the part and/or the documentation of the part, in order to implement improvements. Pasternack reserves the right to make such changes as required. Unless otherwise stated, all specifications are nominal. Pasternack does not make any representation or warranty regarding the suitability of the part described herein for any particular purpose, and Pasternack does not assume any liability arising out of the use of any part or documentation.

PE44814 CAD Drawing

SMA Female Precision Connector Clamp/Solder Attachment for PE-P142LL



STRIPPING DIMENSIONS

ASSEMBLY PROCEDURES

1. TRIM CABLE AS SHOWN IN (A)
2. SLIDE CLAMP NUT OVER CABLE AS SHOWN. SOLDER CABLE TO SOLDER FERRULE WITH DIELECTRIC FLUSH WITH FACE OF FERRULE. SLIDE DIELECTRIC STO (Ø.200 OD) OVER CABLE CENTER CONDUCTOR AND SOLDER CONTACT FLUSH TO STOP TO DIMENSION SHOWN. SLIDE FORWARD INSULATOR & DIELECTRIC BEAD (Ø 0.173 OD) ONTO CONTACT.
3. SCREW ASSEMBLY INTO BODY & TIGHTEN NUT.

DWG TITLE

PE44814

- NOTES:
1. UNLESS OTHERWISE SPECIFIED ALL DIMENSIONS ARE NOMINAL.
 2. ALL SPECIFICATIONS ARE SUBJECT TO CHANGE WITHOUT NOTICE AT ANY TIME.
 3. DIMENSIONS ARE IN INCHES [mm].
 4. FITS MIL-C-17 AND EQUIVALENT CABLES.

PE PASTERNAK®
 Pasternack Enterprises, Inc.
 P.O. Box 16759 | Irvine | CA | 92623
 Phone: (949) 261-1920 | Fax: (949) 261-7451
 Website: www.pasternack.com | E-Mail: sales@pasternack.com

FSCM NO. 53919

CAD FILE 042313

SCALE N/A

SIZE A

2233