



UHF Female Connector Field Replaceable
Attachment 4 Hole Flange Slotted Contact Terminal,
1.24 Sq. Flange Watt Meter Connector

TECHNICAL DATA SHEET

PE44719

UHF Female Connector Field Replaceable Attachment 4 Hole Flange Slotted Contact Terminal, 1.24 Sq. Flange Watt Meter Connector

Configuration

Connector	UHF Female
Connector Interface Type	Slotted Contact
Cable Attachment Method (Shield/Contact)	Field Replaceable
Body Style	Straight
Mount Method	4 Hole Flange

Electrical Specifications

Impedance, Ohms	50
-----------------	----

Mechanical Specifications

Size

Length, in [mm]	1.204 [30.58]
Width/Dia., in [mm]	1.24 [31.50]
Height, in [mm]	1.24 [31.5]
Weight, lbs [g]	0.071 [32.21]

Connector

Type	UHF Female
Contact Material and Plating	Silver
Body Material and Plating	Zinc, Nickel
Dielectric Type	PTFE

Compliance Certifications (visit www.Pasternack.com for current document)

RoHS Compliant	Yes
----------------	-----

Click the following link (or enter part number in "SEARCH" on website) to obtain additional part information including price, inventory and certifications: [UHF Female Connector Field Replaceable Attachment 4 Hole Flange Slotted Contact Terminal, 1.24 Sq. Flange Watt Meter Connector PE44719](#)

The information contained in this document is accurate to the best of our knowledge and representative of the part described herein. It may be necessary to make modifications to the part and/or the documentation of the part, in order to implement improvements. Pasternack reserves the right to make such changes as required. Unless otherwise stated, all specifications are nominal.



UHF Female Connector Field Replaceable
Attachment 4 Hole Flange Slotted Contact Terminal,
1.24 Sq. Flange Watt Meter Connector

TECHNICAL DATA SHEET

PE44719

Plotted and Other Data

Notes:

Values at 25 °C, sea level

UHF Female Connector Field Replaceable Attachment 4 Hole Flange Slotted Contact Terminal, 1.24 Sq. Flange Watt Meter Connector from Pasternack Enterprises has same day shipment for domestic and International orders. Our RF, microwave and fiber optic products maintain a 99% availability and are part of the broadest selection in the industry.

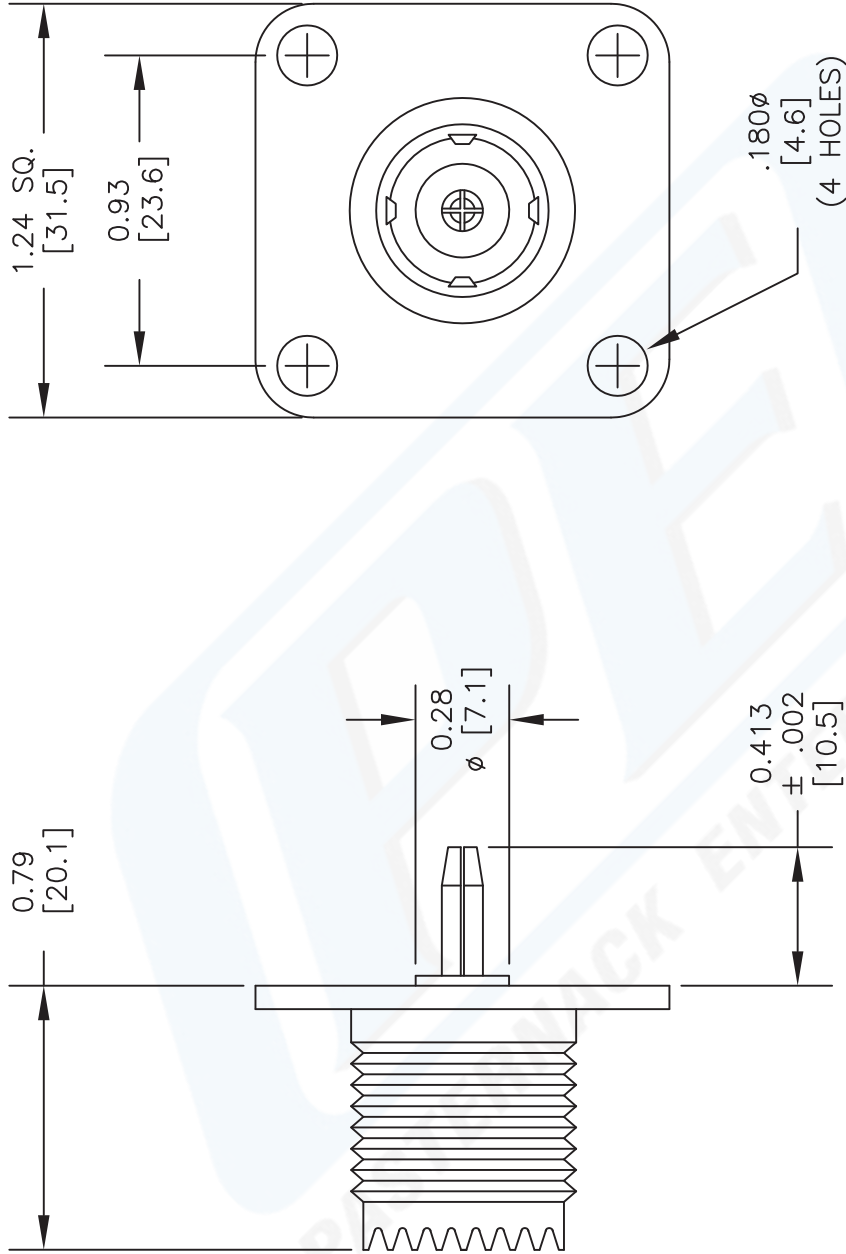
Click the following link (or enter part number in "SEARCH" on website) to obtain additional part information including price, inventory and certifications: [UHF Female Connector Field Replaceable Attachment 4 Hole Flange Slotted Contact Terminal, 1.24 Sq. Flange Watt Meter Connector PE44719](http://www.pasternack.com/uhf-female-standard-slotted-contact-terminal-connector-pe44719-p.aspx)

URL: <http://www.pasternack.com/uhf-female-standard-slotted-contact-terminal-connector-pe44719-p.aspx>

The information contained in this document is accurate to the best of our knowledge and representative of the part described herein. It may be necessary to make modifications to the part and/or the documentation of the part, in order to implement improvements. Pasternack reserves the right to make such changes as required. Unless otherwise stated, all specifications are nominal.

PE44719 CAD Drawing

UHF Female Connector Field Replaceable Attachment 4 Hole Flange
Slotted Contact Terminal, 1.24 Sq. Flange Watt Meter Connector



- NOTES:
1. UNLESS OTHERWISE SPECIFIED ALL DIMENSIONS ARE NOMINAL.
 2. ALL SPECIFICATIONS ARE SUBJECT TO CHANGE WITHOUT NOTICE AT ANY TIME.
 3. DIMENSIONS ARE IN INCHES [mm].
 4. FITS MIL-C-17 AND EQUIVALENT CABLES.

DWG TITLE

PE44719

REV. A

FSCM NO. 53919

CAD FILE 081012

SCALE N/A

SIZE A

2233

PASTERNAK ENTERPRISES, INC.

P.O. BOX 16759, IRVINE, CA 92623
PHONE (949) 261-1920 FAX (949) 261-7451

WEB ADDRESS: www.pasternack.com
E-MAIL ADDRESS: sales@pasternack.com

COAXIAL & FIBER OPTICS

