



N Male Connector Clamp/Solder Attachment For 7/8 inch Annular

TECHNICAL DATA SHEET

PE44563

N Male Connector Clamp/Solder Attachment For 7/8 inch Annular

Configuration

Connector	N Male
Connector Interface Type	7/8 inch Annular
Cable Attachment Method (Shield/Contact)	Clamp/Solder
Body Style	Straight

Electrical Specifications

Impedance, Ohms	50
-----------------	----

Mechanical Specifications

Size

Length, in [mm]	2.35 [59.69]
Width/Dia., in [mm]	1.358 [34.49]
Weight, lbs [g]	0.37 [167.83]

Connector

Type	N Male
Contact Material and Plating	Silver
Coupling Nut Material and Plating	Brass, Tri-Metal
Hex Size, in.	13/16
Body Material and Plating	Brass, Tri-Metal
Dielectric Type	PTFE

Compliance Certifications (visit www.Pasternack.com for current document)

RoHS Compliant	Yes
----------------	-----

Plotted and Other Data

Notes:	Values at 25 °C, sea level
--------	----------------------------

N Male Connector Clamp/Solder Attachment For 7/8 inch Annular from Pasternack Enterprises has same day shipment for domestic and International orders. Our RF, microwave and fiber optic products maintain a 99% availability and are part of the broadest selection in the industry.

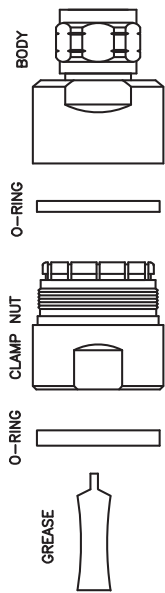
Click the following link (or enter part number in "SEARCH" on website) to obtain additional part information including price, inventory and certifications: [N Male Connector Clamp/Solder Attachment For 7/8 inch Annular PE44563](#)

URL: <http://www.pasternack.com/n-male-standard-7-8-inch-annular-connector-pe44563-p.aspx>

The information contained in this document is accurate to the best of our knowledge and representative of the part described herein. It may be necessary to make modifications to the part and/or the documentation of the part, in order to implement improvements. Pasternack reserves the right to make such changes as required. Unless otherwise stated, all specifications are nominal.

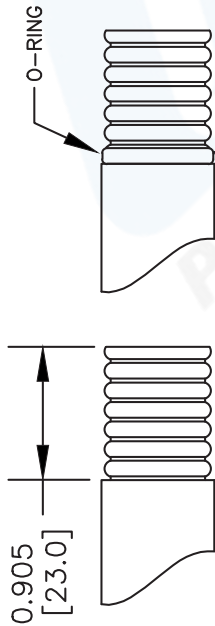
PE44563 CAD Drawing

N Male Connector Clamp/Solder Attachment For 7/8 inch Annular

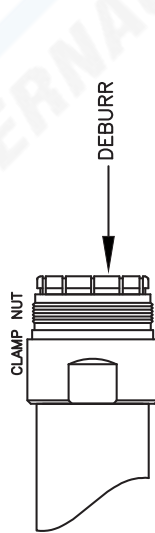


ASSEMBLY PROCEDURES

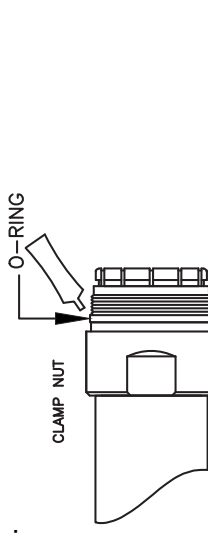
1. STRIP CABLE AS SHOWN. SLIDE LARGE O-RING ONTO CABLE AND SEAT AGAINST THE JACKET. GREASE O-RING.



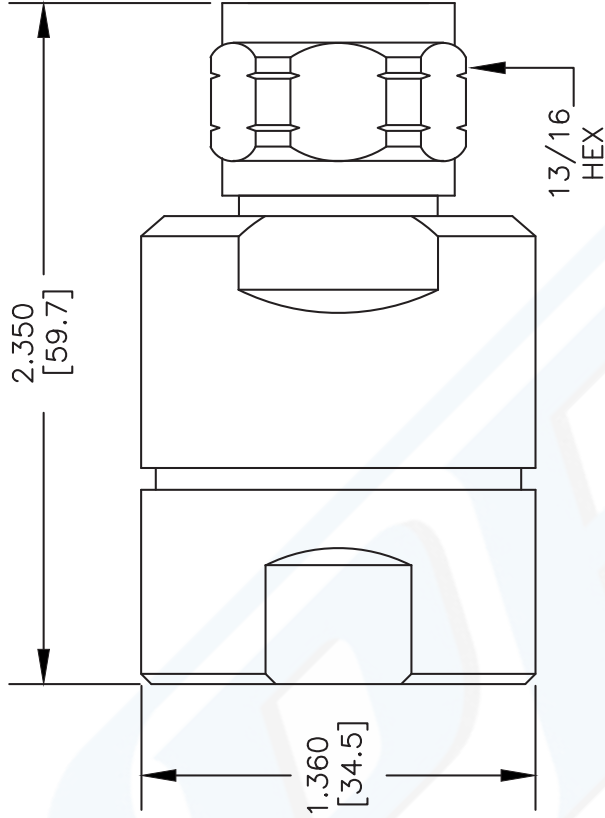
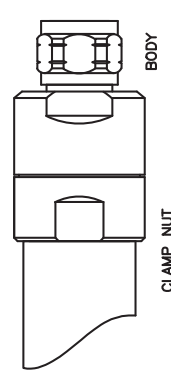
2. INSTALL CLAMP NUT ONTO CABLE. FLAIR OUT INNER & OUTER CONDUCTOR. DEBURR INNER & OUTER CONDUCTOR.



3. SLIDE O-RING OVER THREAD AND SEAT INTO PLACE. GREASE O-RING.



4. HOLD CLAMP NUT STEADY & SCREW BODY TIGHTLY ONTO CABLE. CENTER CONDUCTOR WILL PROPERLY SEAT INSIDE THE CABLE CENTER CONDUCTOR.



DWG TITLE

PE44563

NOTES:
 1. UNLESS OTHERWISE SPECIFIED ALL DIMENSIONS ARE NOMINAL.
 2. ALL SPECIFICATIONS ARE SUBJECT TO CHANGE WITHOUT NOTICE AT ANY TIME.
 3. DIMENSIONS ARE IN INCHES [mm].
 4. FITS MIL-C-17 AND EQUIVALENT CABLES.

FSCM NO. 53919

CAD FILE 081108

SCALE N/A

SIZE A

XXXX



PASTERNAK®

Pasternack Enterprises, Inc.
 P.O. Box 16759 | Irvine | CA | 92623
 Phone: (949) 261-1920 | Fax: (949) 261-7451
 Website: www.pasternack.com | E-Mail: sales@pasternack.com