



## 3.5mm Female Precision Connector Threaded Attachment for VNA Test Cable

### RF Connectors Technical Data Sheet

PE44488

#### Configuration

- 3.5mm Female Connector
- IEC 60169-23
- 50 Ohms
- Straight Body Geometry
- VNA Test Cable Interface Type
- Threaded Attachment
- Precision Design

#### Features

- Max. Operating Frequency 26.5 GHz
- Excellent VSWR of 1.2:1
- Gold over Nickel Plated Beryllium Copper Contact
- 1.27  $\mu$ m minimum contact plating

#### Applications

- General Purpose Test
- Precision Test & Measurement
- Custom Cable Assemblies

#### Description

Pasternack's PE44488 3.5mm female precision connector with threaded attachment for VNA test cable is part of our full line of RF components available for same-day shipping. Our 3.5mm female connector operates up to a maximum frequency of 26.5 GHz and offers excellent VSWR of 1.2:1.

Our 3.5mm female connector PE44488 datasheet specifications and drawing with dimensions are shown below in this PDF. Pasternack's broad catalog of RF, microwave and millimeter wave connectors allows designers to configure and customize their signal connections however they like. Whether the need is to provide an I/O for a board design, or simply create a custom cable assembly configuration, Pasternack has the right connector for the job. Pasternack can also expertly build your custom cable assemblies for you and ship same-day.

#### Electrical Specifications

Description	Minimum	Typical	Maximum	Units
Frequency Range	DC		26.5	GHz
VSWR			1.2:1	
Operating Voltage (AC)			335	Vrms
Test Voltage (AC)			1,000	Vrms
Inner Conductor DC Resistance			3	mOhms
Outer Conductor DC Resistance			2	mOhms
Insulation Resistance	5,000			MOhms

Electrical Specification Notes:  
 Insertion loss =  $0.04 \times \sqrt{f(\text{GHz})}$  dB max.  
 RF leakage: 100 dB (up to 1 GHz) min.

Click the following link (or enter part number in "SEARCH" on website) to obtain additional part information including price, inventory and certifications: [3.5mm Female Precision Connector Threaded Attachment for VNA Test Cable PE44488](#)



3.5mm Female Precision Connector Threaded Attachment for VNA Test Cable

RF Connectors Technical Data Sheet

PE44488

**Mechanical Specifications**

**Size**

Length	1.02 in [25.91 mm]
Width/Dia.	0.71 in [18.03 mm]
Weight	0.006 lbs [2.72 g]
Mating Cycles	500 Cycles

**Material Specifications**

Description	Material	Plating
Contact	Beryllium Copper	Gold over Nickel 1.27 µm minimum
Insulation	PS	
Body	Passivated Stainless Steel	

**Environmental Specifications**

**Temperature**

Operating Range	-40 to +85 deg C
Humidity	MIL-STD-202, Method 106
Shock	MIL-STD-202, Method 213, Condition I
Vibration	MIL-STD-202, Method 204, Condition D
Thermal Shock	MIL-STD-202, Method 107, Condition B
Salt Spray	MIL-STD-202, Method 101, Condition B

Click the following link (or enter part number in "SEARCH" on website) to obtain additional part information including price, inventory and certifications: [3.5mm Female Precision Connector Threaded Attachment for VNA Test Cable PE44488](#)



## 3.5mm Female Precision Connector Threaded Attachment for VNA Test Cable

### RF Connectors Technical Data Sheet

PE44488

**Compliance Certifications** (see [product page](#) for current document)

#### Plotted and Other Data

Notes:

3.5mm Female Precision Connector Threaded Attachment for VNA Test Cable from Pasternack Enterprises has same day shipment for domestic and International orders. Our RF, microwave and millimeter wave products maintain a 99% availability and are part of the broadest selection in the industry.

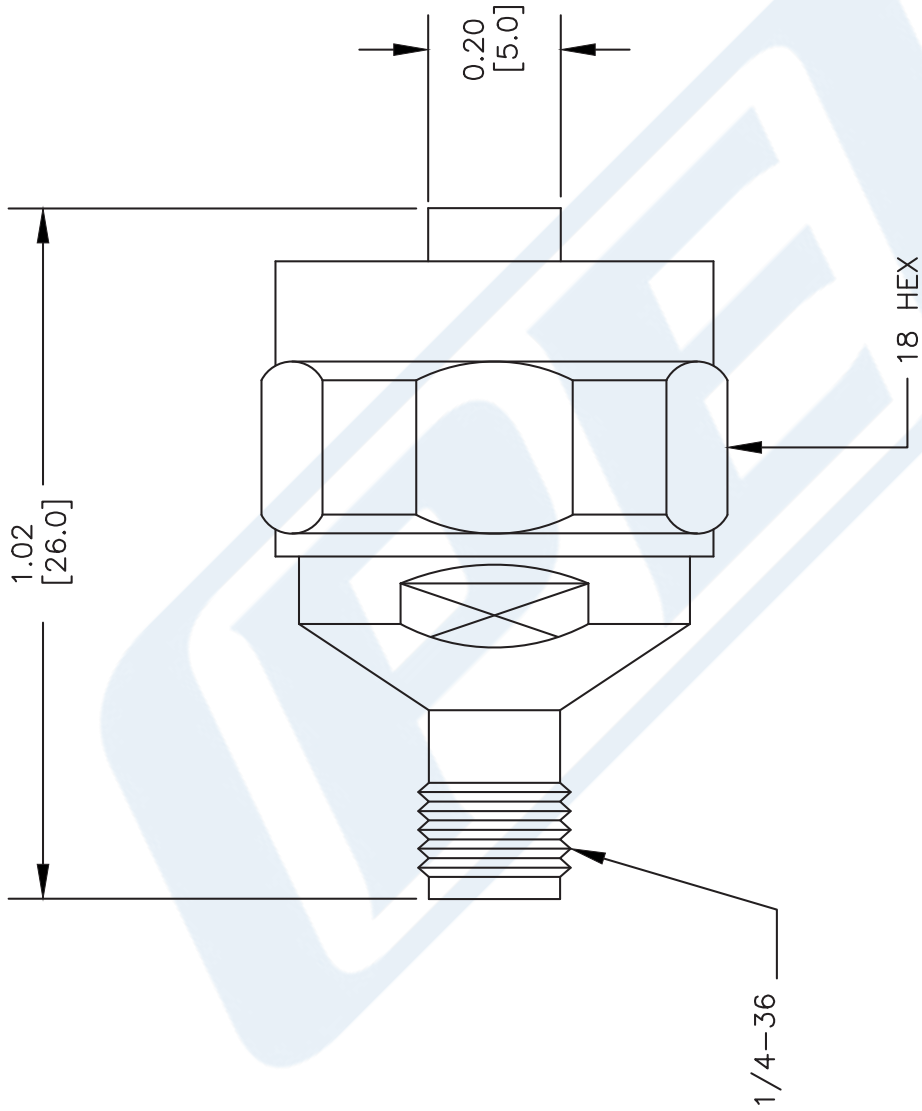
Click the following link (or enter part number in "SEARCH" on website) to obtain additional part information including price, inventory and certifications: [3.5mm Female Precision Connector Threaded Attachment for VNA Test Cable PE44488](#)

URL: <https://www.pasternack.com/3.5mm-female-standard-vna-test-cable-connector-pe44488-p.aspx>

The information contained in this document is accurate to the best of our knowledge and representative of the part described herein. It may be necessary to make modifications to the part and/or the documentation of the part, in order to implement improvements. Pasternack reserves the right to make such changes as required. Unless otherwise stated, all specifications are nominal. Pasternack does not make any representation or warranty regarding the suitability of the part described herein for any particular purpose, and Pasternack does not assume any liability arising out of the use of any part or documentation.

# PE44488 CAD Drawing

3.5mm Female Precision Connector Threaded Attachment for VNA Test Cable



NOTES:  
 1. UNLESS OTHERWISE SPECIFIED ALL DIMENSIONS ARE NOMINAL.  
 2. ALL SPECIFICATIONS ARE SUBJECT TO CHANGE WITHOUT NOTICE AT ANY TIME.  
 3. DIMENSIONS ARE IN INCHES [mm].

DWG TITLE  
**PE44488**

FSCM NO. 53919

CAD FILE 103006

SCALE N/A

SIZE A

XXXX

**PE PASTERNAK®**  
 Pasternack Enterprises, Inc.  
 P.O. Box 16759 | Irvine | CA | 92623  
 Phone: (949) 261-1920 | Fax: (949) 261-7451  
 Website: www.pasternack.com | E-Mail: sales@pasternack.com