



N Male Precision Connector Threaded Attachment For VNA Test Cable

TECHNICAL DATA SHEET

PE44485

**N Male Precision Connector Threaded Attachment For VNA Test Cable**

**Configuration**

Connector	N Male
Connector Specification	MIL-STD-348A
Connector Interface Type	VNA Test Cable
Cable Attachment Method (Shield/Contact)	Threaded
Connector Design	Precision
Body Style	Straight

**Electrical Specifications**

Frequency Range, GHz	DC to 18
Impedance, Ohms	50
Maximum VSWR	1.2:1
Maximum Return Loss, dB	21
Maximum Insertion Loss, dB	0.21
Maximum Operating Voltage, Volts	335
Dielectric Withstanding Voltage, Vrms	1,000

**Mechanical Specifications**

**Temperature**

Operating Range, deg C	-40 to +85
------------------------	------------

**Size**

Length, in [mm]	1.3 [33.02]
Width/Dia., in [mm]	0.787 [19.99]
Weight, lbs [g]	0.088 [39.92]

**Connector**

Type	N Male
Mating Cycles	500
Contact Material and Plating	Beryllium Copper, Gold
Contact Plating Specification	50 [1.27] $\mu$ in. [ $\mu$ m] minimum
Coupling Nut Material and Plating	Passivated Stainless Steel
Body Material and Plating	Passivated Stainless Steel
Dielectric Type	PPE

**Compliance Certifications** (visit [www.Pasternack.com](http://www.Pasternack.com) for current document)

RoHS Compliant	Yes
----------------	-----

Click the following link (or enter part number in "SEARCH" on website) to obtain additional part information including price, inventory and certifications: [N Male Precision Connector Threaded Attachment For VNA Test Cable PE44485](#)

The information contained in this document is accurate to the best of our knowledge and representative of the part described herein. It may be necessary to make modifications to the part and/or the documentation of the part, in order to implement improvements. Pasternack reserves the right to make such changes as required. Unless otherwise stated, all specifications are nominal.



## N Male Precision Connector Threaded Attachment For VNA Test Cable

### TECHNICAL DATA SHEET

PE44485

#### Plotted and Other Data

Notes:

Values at 25 °C, sea level

N Male Precision Connector Threaded Attachment For VNA Test Cable from Pasternack Enterprises has same day shipment for domestic and International orders. Our RF, microwave and fiber optic products maintain a 99% availability and are part of the broadest selection in the industry.

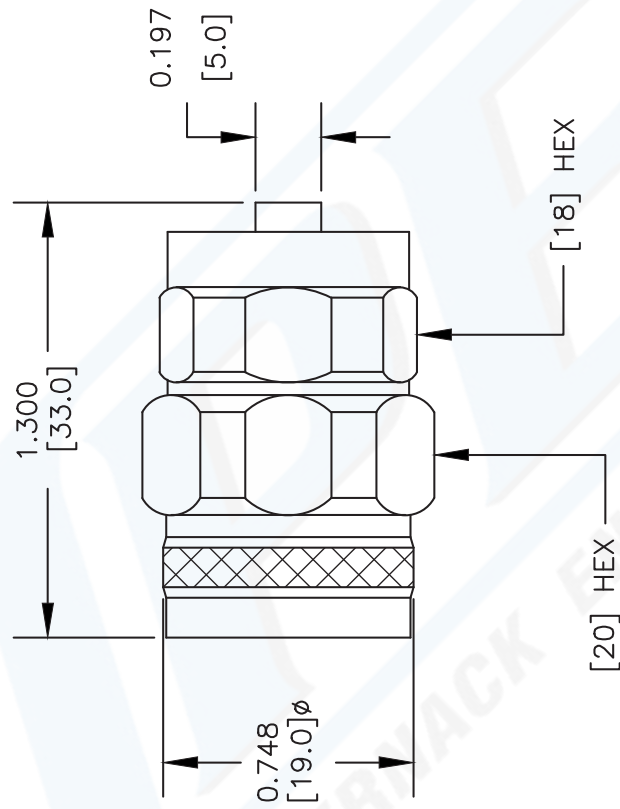
Click the following link (or enter part number in "SEARCH" on website) to obtain additional part information including price, inventory and certifications: [N Male Precision Connector Threaded Attachment For VNA Test Cable PE44485](#)

URL: <http://www.pasternack.com/n-male-standard-vna-test-cable-connector-pe44485-p.aspx>

The information contained in this document is accurate to the best of our knowledge and representative of the part described herein. It may be necessary to make modifications to the part and/or the documentation of the part, in order to implement improvements. Pasternack reserves the right to make such changes as required. Unless otherwise stated, all specifications are nominal.

# PE44485 CAD Drawing

N Male Precision Connector Threaded Attachment For VNA Test Cable



NOTES:  
 1. UNLESS OTHERWISE SPECIFIED ALL DIMENSIONS ARE NOMINAL.  
 2. ALL SPECIFICATIONS ARE SUBJECT TO CHANGE WITHOUT NOTICE AT ANY TIME.  
 3. DIMENSIONS ARE IN INCHES [mm].

DWG TITLE  
**PE44485**

FSCM NO. 53919

CAD FILE 122706

SCALE N/A

SIZE A

XXXX

**PE PASTERNAK®**  
 Pasternack Enterprises, Inc.  
 P.O. Box 16759 | Irvine | CA | 92623  
 Phone: (949) 261-1920 | Fax: (949) 261-7451  
 Website: www.pasternack.com | E-Mail: sales@pasternack.com