



75 Ohm SMB Positive Snap Plug Right Angle Connector  
Crimp/Solder Attachment For RG180, RG195

TECHNICAL DATA SHEET

PE44446

**75 Ohm SMB Positive Snap Plug Right Angle Connector Crimp/Solder Attachment For RG180, RG195**

**Configuration**

Connector	SMB Positive Snap Plug
Connector Interface Type	RG180, RG195
Cable Attachment Method (Shield/Contact)	Crimp/Solder
Body Style	Right Angle

**Electrical Specifications**

Impedance, Ohms	75
-----------------	----

**Mechanical Specifications**

**Size**

Length, in [mm]	0.88 [22.35]
Width/Dia., in [mm]	0.4 [10.16]
Height, in [mm]	0.88 [22.35]
Weight, lbs [g]	0.027 [12.25]

**Connector**

Type	SMB Positive Snap Plug
Contact Material and Plating	Gold
Body Material and Plating	Brass, Nickel
Dielectric Type	PTFE

**Compliance Certifications** (visit [www.Pasternack.com](http://www.Pasternack.com) for current document)

RoHS Compliant	Yes
----------------	-----

**Plotted and Other Data**

Notes:	Values at 25 °C, sea level
--------	----------------------------

75 Ohm SMB Positive Snap Plug Right Angle Connector Crimp/Solder Attachment For RG180, RG195 from Pasternack Enterprises has same day shipment for domestic and International orders. Our RF, microwave and fiber optic products maintain a 99% availability and are part of the broadest selection in the industry.

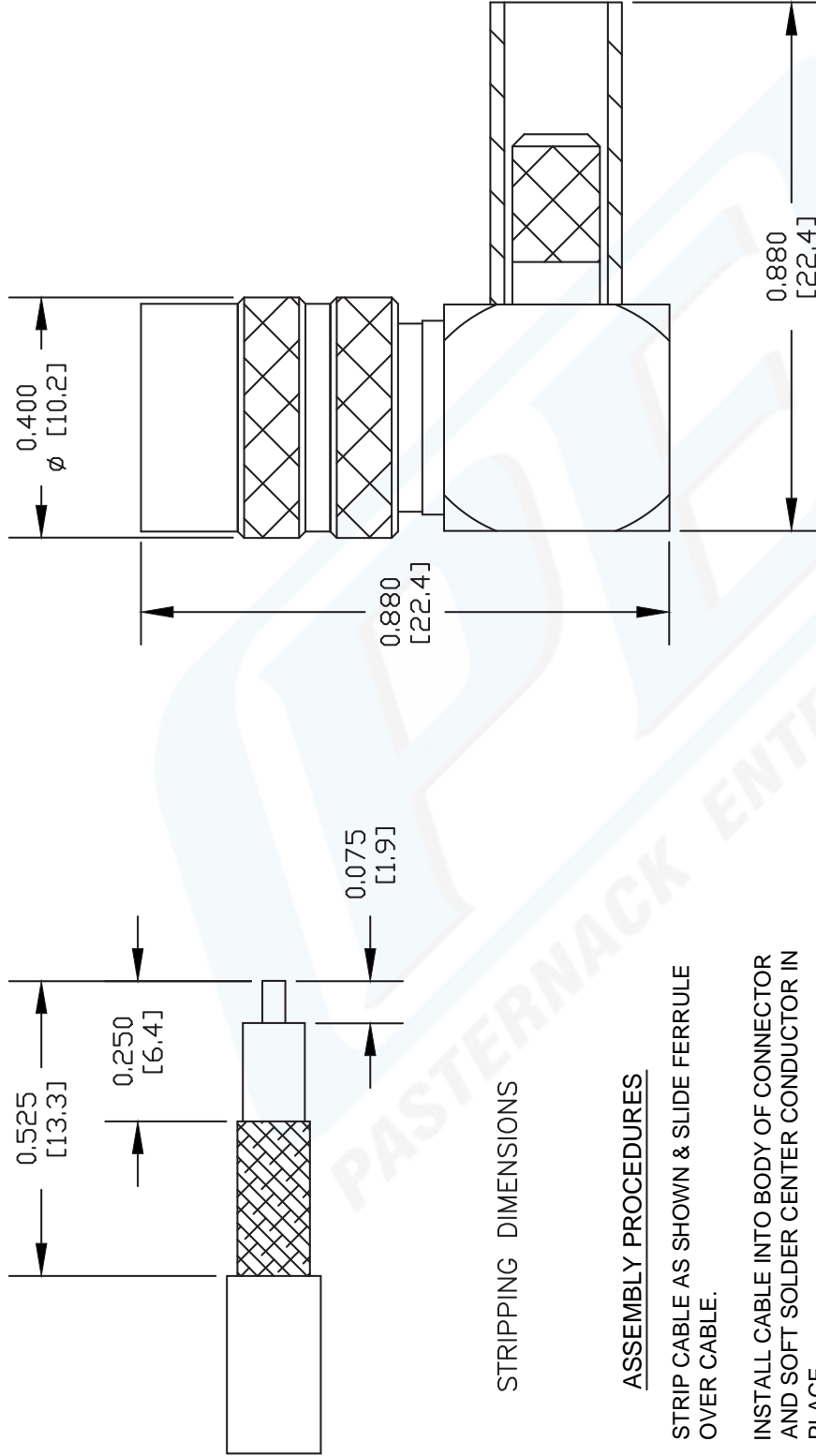
Click the following link (or enter part number in "SEARCH" on website) to obtain additional part information including price, inventory and certifications: [75 Ohm SMB Positive Snap Plug Right Angle Connector Crimp/Solder Attachment For RG180, RG195 PE44446](http://www.pasternack.com/smb-positive-snap-plug-standard-rg180-rg195-connector-pe44446-p.aspx)

URL: <http://www.pasternack.com/smb-positive-snap-plug-standard-rg180-rg195-connector-pe44446-p.aspx>

The information contained in this document is accurate to the best of our knowledge and representative of the part described herein. It may be necessary to make modifications to the part and/or the documentation of the part, in order to implement improvements. Pasternack reserves the right to make such changes as required. Unless otherwise stated, all specifications are nominal.

# PE44446 CAD Drawing

75 Ohm SMB Positive Snap Plug Right Angle Connector  
Crimp/Solder Attachment For RG180, RG195



**NOTES:**  
 1. UNLESS OTHERWISE SPECIFIED ALL DIMENSIONS ARE NOMINAL.  
 2. ALL SPECIFICATIONS ARE SUBJECT TO CHANGE WITHOUT NOTICE AT ANY TIME.  
 3. DIMENSIONS ARE IN INCHES [mm].  
 4. FITS MIL-C-17 AND EQUIVALENT CABLES.

DWG TITLE	FSCM NO. 53919	CAD FILE	SCALE	SIZE
<b>PE44446</b>		092804	N/A	A

**PE PASTERNAK®**  
 Pasternack Enterprises, Inc.  
 P.O. Box 16759 | Irvine | CA | 92623  
**Phone:** (949) 261-1920 | **Fax:** (949) 261-7451  
**Website:** www.pasternack.com | **E-Mail:** sales@pasternack.com