



SSMA Male Connector Solder Attachment 4 Hole Flange
Solder Cup Terminal, .232 inch Hole Spacing

TECHNICAL DATA SHEET

PE44432

SSMA Male Connector Solder Attachment 4 Hole Flange Solder Cup Terminal, .232 inch Hole Spacing

Configuration

Connector	SSMA Male
Connector Interface Type	Solder Cup
Cable Attachment Method (Shield/Contact)	Solder
Body Style	Straight
Mount Method	4 Hole Flange

Electrical Specifications

Impedance, Ohms	50
-----------------	----

Mechanical Specifications

Size

Length, in [mm]	0.692 [17.58]
Width/Dia., in [mm]	0.375 [9.53]
Height, in [mm]	0.375 [9.53]
Weight, lbs [g]	0.006 [2.72]

Connector

Type	SSMA Male
Contact Material and Plating	Gold
Coupling Nut Material and Plating	Stainless Steel, Gold
Body Material and Plating	Stainless Steel, Gold
Dielectric Type	PTFE

Compliance Certifications (visit www.Pasternack.com for current document)

RoHS Compliant	Yes
----------------	-----

Plotted and Other Data

Notes:	Values at 25 °C, sea level
--------	----------------------------

SSMA Male Connector Solder Attachment 4 Hole Flange Solder Cup Terminal, .232 inch Hole Spacing from Pasternack Enterprises has same day shipment for domestic and International orders. Our RF, microwave and fiber optic products maintain a 99% availability and are part of the broadest selection in the industry.

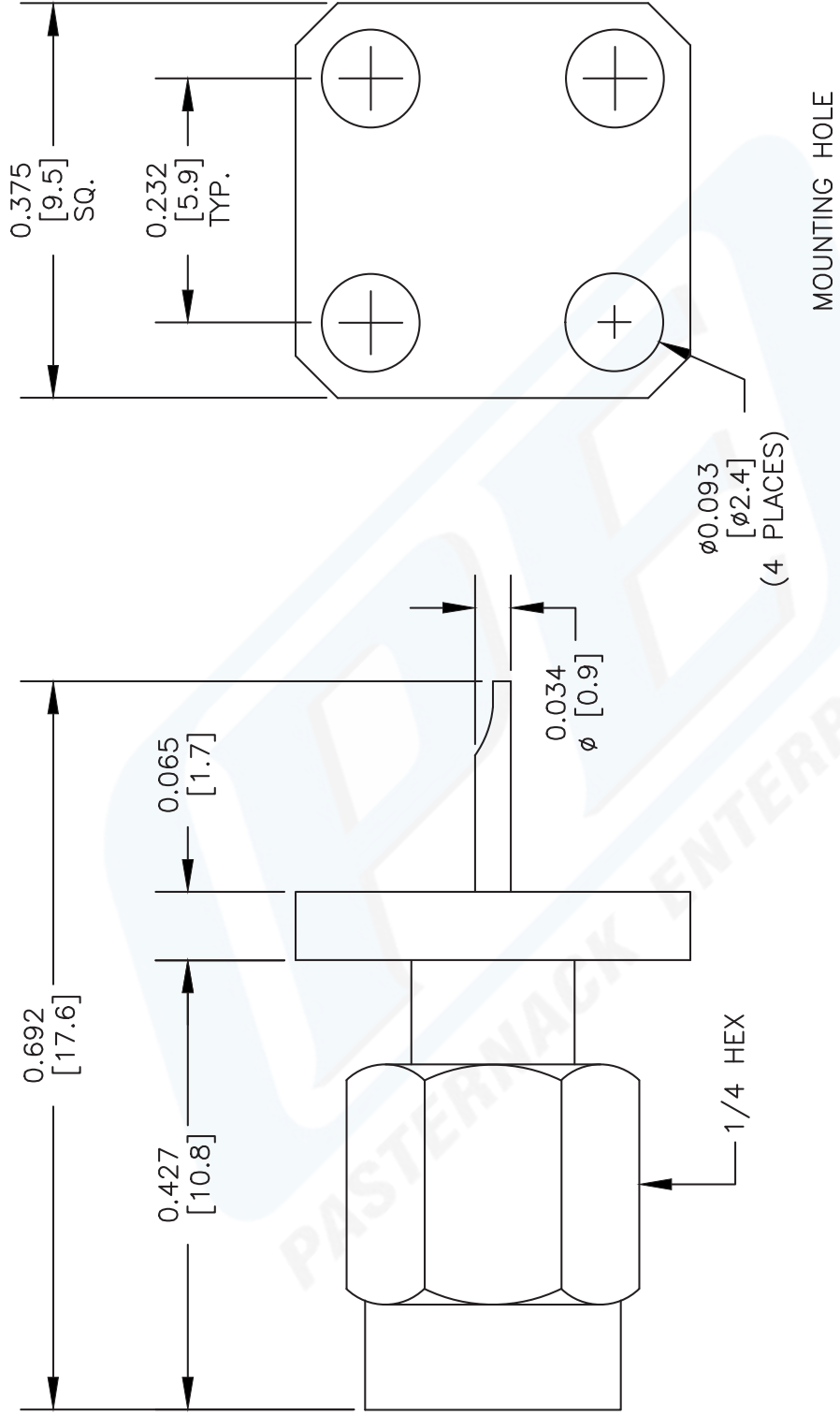
Click the following link (or enter part number in "SEARCH" on website) to obtain additional part information including price, inventory and certifications: [SSMA Male Connector Solder Attachment 4 Hole Flange Solder Cup Terminal, .232 inch Hole Spacing PE44432](http://www.pasternack.com/ssma-male-standard-solder-cup-terminal-connector-pe44432-p.aspx)

URL: <http://www.pasternack.com/ssma-male-standard-solder-cup-terminal-connector-pe44432-p.aspx>

The information contained in this document is accurate to the best of our knowledge and representative of the part described herein. It may be necessary to make modifications to the part and/or the documentation of the part, in order to implement improvements. Pasternack reserves the right to make such changes as required. Unless otherwise stated, all specifications are nominal.

PE44432 CAD Drawing

SSMA Male Connector Solder Attachment 4 Hole Flange
Solder Cup Terminal, .232 inch Hole Spacing



NOTES:
 1. UNLESS OTHERWISE SPECIFIED ALL DIMENSIONS ARE NOMINAL.
 2. ALL SPECIFICATIONS ARE SUBJECT TO CHANGE WITHOUT NOTICE AT ANY TIME.
 3. DIMENSIONS ARE IN INCHES [mm].
 4. FITS MIL-C-17 AND EQUIVALENT CABLES.

DWG TITLE
PE44432

PE PASTERNAK®
 Pasternack Enterprises, Inc.
 P.O. Box 16759 | Irvine | CA | 92623
 Phone: (949) 261-1920 | Fax: (949) 261-7451
 Website: www.pasternack.com | E-Mail: sales@pasternack.com

CAD FILE 010604 SCALE N/A SIZE A 127

FSCM NO. 53919

© 2013 Pasternack Enterprises All Rights Reserved