



75 Ohm F Female Right Angle Connector Solder Attachment
Thru Hole PCB, .320 inch x .091 inch Hole Spacing

RF Connectors Technical Data Sheet

PE44333

Configuration

- F Female Connector
- 75 Ohms
- Right Angle Body Geometry
- Thru Hole Interface Type
- Solder Attachment

Features

- Max. Operating Frequency 2 GHz
- Good VSWR of 1.5:1
- Tin Plated Brass Contact

Applications

- General Purpose Test
- PCB Applications
- CATV

Description

Pasternack's PE44333 75 ohm type F female right angle connector with solder attachment for thru hole PCB (.320 inch x .091 inch hole spacing) is part of our full line of RF components available for same-day shipping. Our type F female connector operates up to a maximum frequency of 2 GHz and offers good VSWR of 1.5:1. Its right angle body geometry allows for easier connections in tight spaces.

Our 75 ohm type F female right angle connector PE44333 datasheet specifications and drawing with dimensions are shown below in this PDF. Pasternack's broad catalog of RF, microwave and millimeter wave connectors allows designers to configure and customize their signal connections however they like. Whether the need is to provide an I/O for a board design, or simply create a custom cable assembly configuration, Pasternack has the right connector for the job. Pasternack can also expertly build your custom cable assemblies for you and ship same-day.

Electrical Specifications

Description	Minimum	Typical	Maximum	Units
Frequency Range	DC		2	GHz
VSWR			1.5:1	

Mechanical Specifications

Size	
Length	1.032 in [26.21 mm]
Width/Dia.	0.374 in [9.50 mm]
Height	0.705 in [17.91 mm]
Weight	0.025 lbs [11.34 g]

Click the following link (or enter part number in "SEARCH" on website) to obtain additional part information including price, inventory and certifications: [75 Ohm F Female Right Angle Connector Solder Attachment Thru Hole PCB, .320 inch x .091 inch Hole Spacing PE44333](#)



75 Ohm F Female Right Angle Connector Solder Attachment
 Thru Hole PCB, .320 inch x .091 inch Hole Spacing

RF Connectors Technical Data Sheet

PE44333

Material Specifications

Description	Material	Plating
Contact	Brass	Tin
Body	Brass	Nickel

Environmental Specifications

Temperature

Operating Range

-55 to +85 deg C

Compliance Certifications (see [product page](#) for current document)

Plotted and Other Data

Notes:

75 Ohm F Female Right Angle Connector Solder Attachment Thru Hole PCB, .320 inch x .091 inch Hole Spacing from Pasternack Enterprises has same day shipment for domestic and International orders. Our RF, microwave and millimeter wave products maintain a 99% availability and are part of the broadest selection in the industry.

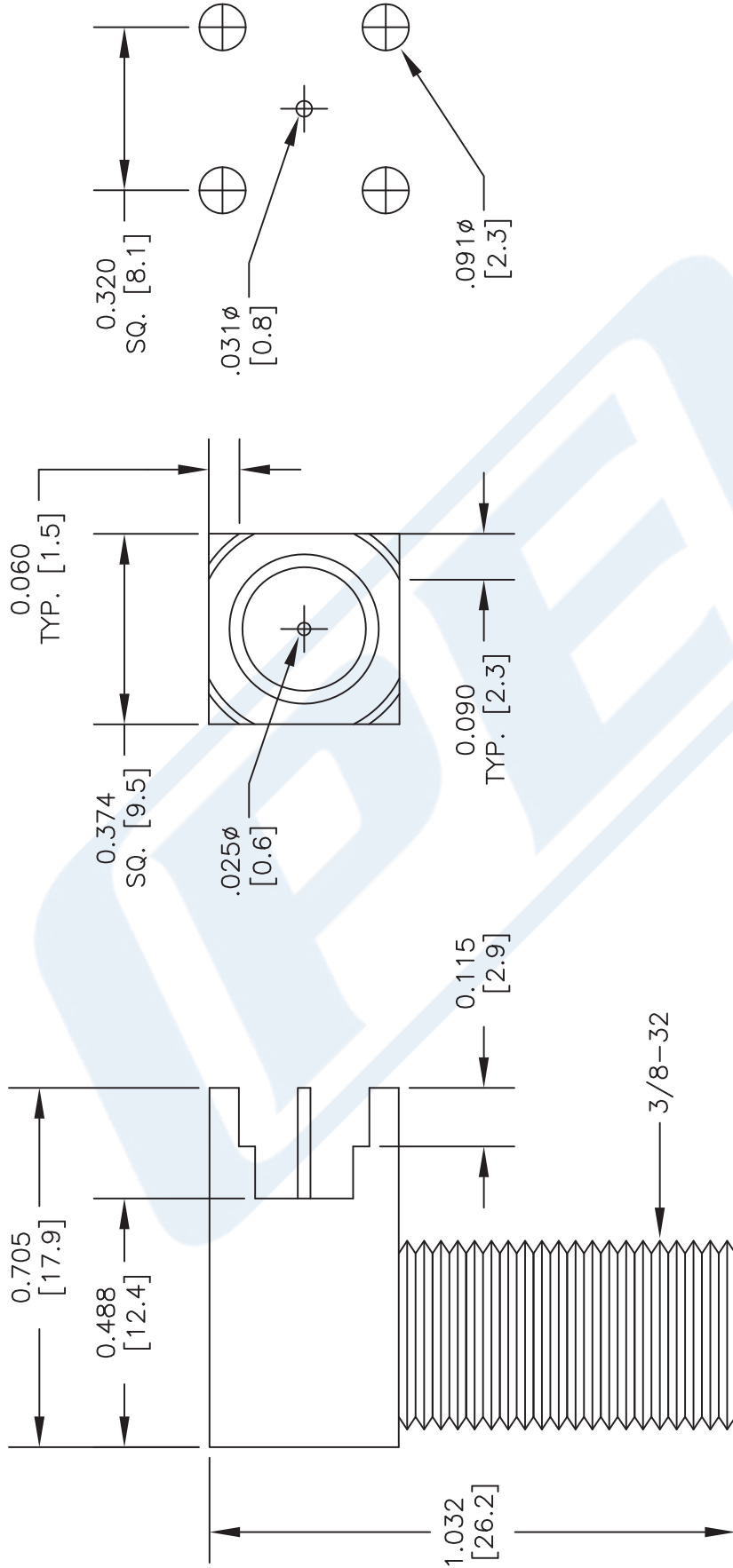
Click the following link (or enter part number in "SEARCH" on website) to obtain additional part information including price, inventory and certifications: [75 Ohm F Female Right Angle Connector Solder Attachment Thru Hole PCB, .320 inch x .091 inch Hole Spacing PE44333](#)

URL: <https://www.pasternack.com/f-female-standard-thru-hole-pcb-connector-pe44333-p.aspx>

The information contained in this document is accurate to the best of our knowledge and representative of the part described herein. It may be necessary to make modifications to the part and/or the documentation of the part, in order to implement improvements. Pasternack reserves the right to make such changes as required. Unless otherwise stated, all specifications are nominal. Pasternack does not make any representation or warranty regarding the suitability of the part described herein for any particular purpose, and Pasternack does not assume any liability arising out of the use of any part or documentation.

PE44333 CAD Drawing

75 Ohm F Female Right Angle Connector Solder Attachment
Thru Hole PCB, .320 inch x .091 inch Hole Spacing



DWG TITLE

PE44333

- NOTES:
1. UNLESS OTHERWISE SPECIFIED ALL DIMENSIONS ARE NOMINAL.
 2. ALL SPECIFICATIONS ARE SUBJECT TO CHANGE WITHOUT NOTICE AT ANY TIME.
 3. DIMENSIONS ARE IN INCHES [mm].
 4. FITS MIL-C-17 AND EQUIVALENT CABLES.

FSCM NO. 53919

CAD FILE 110603

SCALE N/A

SIZE A

2233



Pasternack Enterprises, Inc.
P.O. Box 16759 | Irvine | CA | 92623
Phone: (949) 261-1920 | Fax: (949) 261-7451
Website: www.pasternack.com | E-Mail: sales@pasternack.com