



# 75 Ohm MCX Jack Bulkhead Mount Connector Solder Attachment Solder Cup Terminal, .235 inch D Hole

## RF Connectors Technical Data Sheet

PE44306

### Configuration

- MCX Jack Connector
- MIL-C-39012
- 75 Ohms
- Straight Body Geometry
- Solder Cup Interface Type
- Solder Attachment
- Bulkhead

### Features

- Max Frequency 6 GHz
- Gold over Nickel Plated Beryllium Copper Contact
- 30 µin minimum contact plating

### Applications

- General Purpose Test
- Rack and Panel Mount Applications

### Description

Pasternack's PE44306 75 ohm MCX jack bulkhead connector with solder cup terminal (.235 inch D hole) is part of our full line of RF components available for same-day shipping. Our MCX jack connector operates up to a maximum frequency of 6 GHz. This MCX bulkhead connector allows designers to create external connections on their product enclosures, and can be used in a variety of other rack mount and panel mount applications.

Our 75 ohm MCX jack bulkhead connector PE44306 datasheet specifications and drawing with dimensions are shown below in this PDF. Pasternack's broad catalog of RF, microwave and millimeter wave connectors allows designers to configure and customize their signal connections however they like. Whether the need is to provide an I/O for a board design, or simply create a custom cable assembly configuration, Pasternack has the right connector for the job. Pasternack can also expertly build your custom cable assemblies for you and ship same-day.

### Electrical Specifications

Description	Minimum	Typical	Maximum	Units
Frequency Range	DC		6	GHz
Operating Voltage (AC)			335	Vrms
Dielectric Withstanding Voltage (AC)			1,000	Vrms
High Potential Voltage at 4 and 7 MHz			600	Vrms
Corona Discharge at 70,000 feet			250	Vrms
Insulation Resistance	1,000			MOhms

Click the following link (or enter part number in "SEARCH" on website) to obtain additional part information including price, inventory and certifications: [75 Ohm MCX Jack Bulkhead Mount Connector Solder Attachment Solder Cup Terminal, .235 inch D Hole PE44306](#)



75 Ohm MCX Jack Bulkhead Mount Connector Solder Attachment Solder Cup Terminal, .235 inch D Hole

RF Connectors Technical Data Sheet

PE44306

**Mechanical Specifications**

<b>Size</b>	
Length	0.446 in [11.33 mm]
Width/Dia.	0.36 in [9.14 mm]
Weight	0.006 lbs [2.72 g]
Mating Cycles	500 Cycles

**Material Specifications**

Description	Material	Plating
Contact	Beryllium Copper	Gold over Nickel 30 µin minimum
Insulation	PTFE	
Body	Brass	Gold over Nickel 10 µin minimum

**Environmental Specifications**

<b>Temperature</b>	
Operating Range	-65 to +165 deg C
Shock	MIL-STD-202, Method 213, Condition B
Vibration	MIL-STD-202, Method 204, Condition B
Thermal Shock	MIL-STD-202, Method 107, Condition F
Salt Spray	MIL-STD-202, Method 101, Condition B

Click the following link (or enter part number in "SEARCH" on website) to obtain additional part information including price, inventory and certifications: [75 Ohm MCX Jack Bulkhead Mount Connector Solder Attachment Solder Cup Terminal, .235 inch D Hole PE44306](#)



75 Ohm MCX Jack Bulkhead Mount Connector Solder  
Attachment Solder Cup Terminal, .235 inch D Hole

RF Connectors Technical Data Sheet

PE44306

**Compliance Certifications** (see [product page](#) for current document)

**Plotted and Other Data**

Notes:

75 Ohm MCX Jack Bulkhead Mount Connector Solder Attachment Solder Cup Terminal, .235 inch D Hole from Pasternack Enterprises has same day shipment for domestic and International orders. Our RF, microwave and millimeter wave products maintain a 99% availability and are part of the broadest selection in the industry.

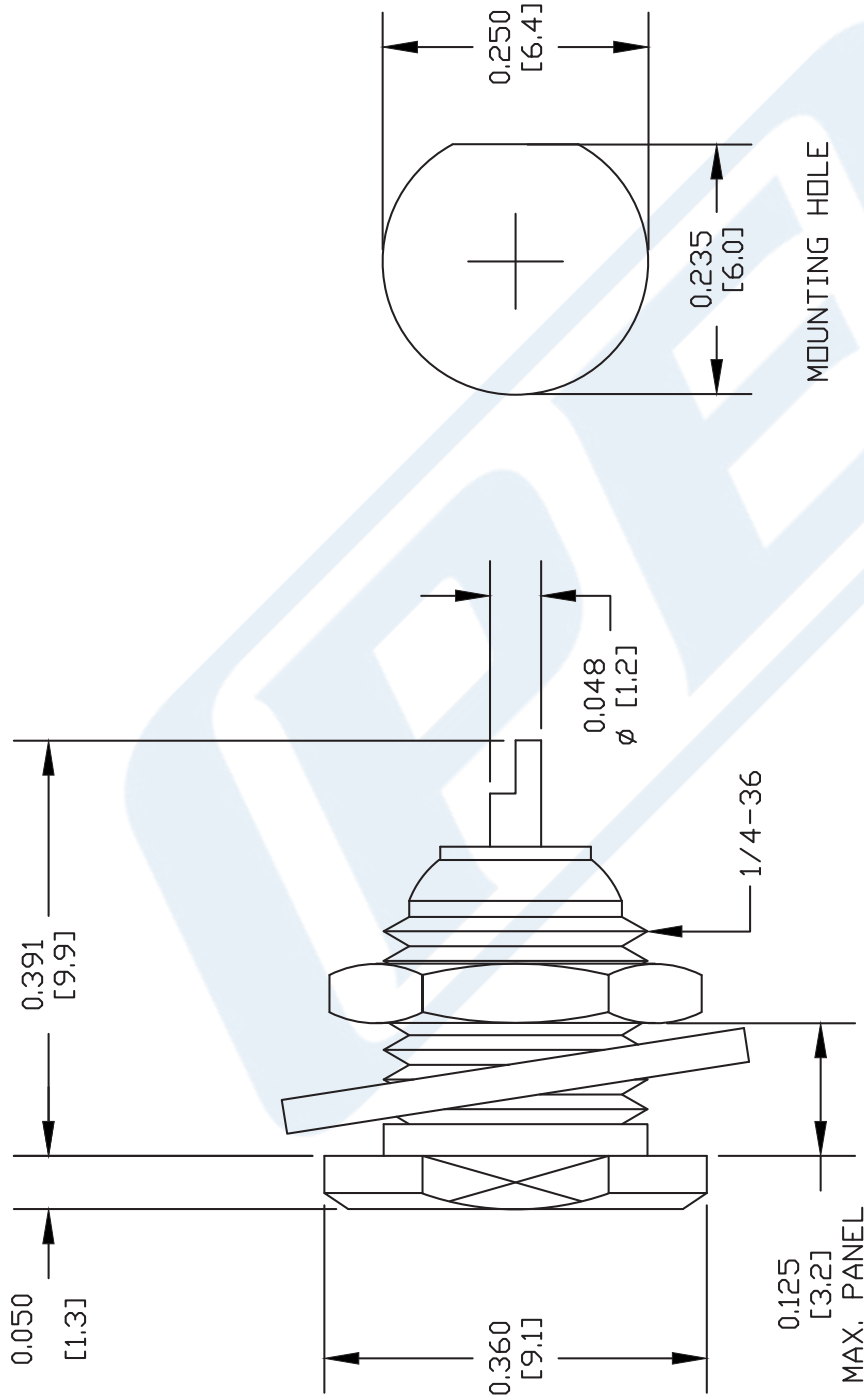
Click the following link (or enter part number in "SEARCH" on website) to obtain additional part information including price, inventory and certifications: [75 Ohm MCX Jack Bulkhead Mount Connector Solder Attachment Solder Cup Terminal, .235 inch D Hole PE44306](#)

URL: <https://www.pasternack.com/mcx-jack-standard-solder-cup-terminal-connector-pe44306-p.aspx>

The information contained in this document is accurate to the best of our knowledge and representative of the part described herein. It may be necessary to make modifications to the part and/or the documentation of the part, in order to implement improvements. Pasternack reserves the right to make such changes as required. Unless otherwise stated, all specifications are nominal. Pasternack does not make any representation or warranty regarding the suitability of the part described herein for any particular purpose, and Pasternack does not assume any liability arising out of the use of any part or documentation.

# PE44306 CAD Drawing

75 Ohm MCX Jack Bulkhead Mount Connector Solder  
Attachment Solder Cup Terminal, .235 inch D Hole



MOUNTING HOLE

DWG TITLE

**PE44306**

NOTES:  
1. UNLESS OTHERWISE SPECIFIED ALL DIMENSIONS ARE NOMINAL.  
2. ALL SPECIFICATIONS ARE SUBJECT TO CHANGE WITHOUT NOTICE AT ANY TIME.  
3. DIMENSIONS ARE IN INCHES [mm].  
4. FITS MIL-C-17 AND EQUIVALENT CABLES.

FSCM NO. 53919

CAD FILE 042209

SCALE N/A

SIZE A

147



**PASTERNAK®**  
Pasternack Enterprises, Inc.  
P.O. Box 16759 | Irvine | CA | 92623  
Phone: (949) 261-1920 | Fax: (949) 261-7451  
Website: www.pasternack.com | E-Mail: sales@pasternack.com