



## 2.92mm Male Field Replaceable Connector 2 Hole Flange Mount .012 inch Pin, .481 inch Hole Spacing

### RF Connectors Technical Data Sheet

PE44232

#### Configuration

- 2.92mm Male Connector
- 50 Ohms
- Straight Body Geometry
- .012 inch Pin Interface Type
- Field Replaceable Attachment
- 2 Hole Flange
- 5/16 inch Hex

#### Features

- Max. Operating Frequency 40 GHz
- Excellent VSWR of 1.25:1
- Gold over Nickel Plated Beryllium Copper Contact
- Contact plating according to MIL-G-45204

#### Applications

- General Purpose Test
- Rack and Panel Mount Applications

#### Description

Pasternack's PE44232 2.92mm male 2 hole flange mount field replaceable connector (.481 inch hole spacing) is part of our full line of RF components available for same-day shipping. Our 2.92mm male connector operates up to a maximum frequency of 40 GHz and offers excellent VSWR of 1.25:1. This 2.92mm 2 hole flange connector allows designers to create external connections on their product enclosures, and can be used in a variety of other rack mount and panel mount applications. This field replaceable connector is easy to install or replace in the field.

Our 2.92mm male 2 hole flange connector PE44232 datasheet specifications and drawing with dimensions are shown below in this PDF. Pasternack's broad catalog of RF, microwave and millimeter wave connectors allows designers to configure and customize their signal connections however they like. Whether the need is to provide an I/O for a board design, or simply create a custom cable assembly configuration, Pasternack has the right connector for the job. Pasternack can also expertly build your custom cable assemblies for you and ship same-day.

#### Electrical Specifications

Description	Minimum	Typical	Maximum	Units
Frequency Range	DC		40	GHz
VSWR			1.25:1	
Insertion Loss			0.32	dB

Electrical Specification Notes:  
 Insertion loss:  $0.05 \times \sqrt{f(\text{GHz})}$  dB.

#### Mechanical Specifications

##### Size

Length	0.505 in [12.83 mm]
Width/Dia.	0.26 in [6.60 mm]
Height	0.625 in [15.88 mm]
Weight	0.013 lbs [5.9 g]

Click the following link (or enter part number in "SEARCH" on website) to obtain additional part information including price, inventory and certifications: [2.92mm Male Field Replaceable Connector 2 Hole Flange Mount .012 inch Pin, .481 inch Hole Spacing PE44232](#)



2.92mm Male Field Replaceable Connector 2 Hole  
Flange Mount .012 inch Pin, .481 inch Hole Spacing

RF Connectors Technical Data Sheet

PE44232

Mating Cycles 500 Cycles  
Mating Torque 8 to 10 in-lbs [0.90 to 1.13 Nm]

**Material Specifications**

Description	Material	Plating
Contact	Beryllium Copper	Gold over Nickel MIL-G-45204
Insulation	PPO	
Body	Passivated Stainless Steel	ASTM-A380
Coupling Nut	Passivated Stainless Steel	ASTM-A380

**Environmental Specifications**

**Temperature**

Operating Range -55 to +100 deg C  
Vibration MIL-STD-202, Method 204, Condition D (20 G's)  
Salt Spray MIL-STD-202, Method 101, Condition B, 5% salt solution

Click the following link (or enter part number in "SEARCH" on website) to obtain additional part information including price, inventory and certifications: [2.92mm Male Field Replaceable Connector 2 Hole Flange Mount .012 inch Pin, .481 inch Hole Spacing PE44232](#)



## 2.92mm Male Field Replaceable Connector 2 Hole Flange Mount .012 inch Pin, .481 inch Hole Spacing

### RF Connectors Technical Data Sheet

PE44232

**Compliance Certifications** (see [product page](#) for current document)

#### Plotted and Other Data

Notes:

2.92mm Male Field Replaceable Connector 2 Hole Flange Mount .012 inch Pin, .481 inch Hole Spacing from Pasternack Enterprises has same day shipment for domestic and International orders. Our RF, microwave and millimeter wave products maintain a 99% availability and are part of the broadest selection in the industry.

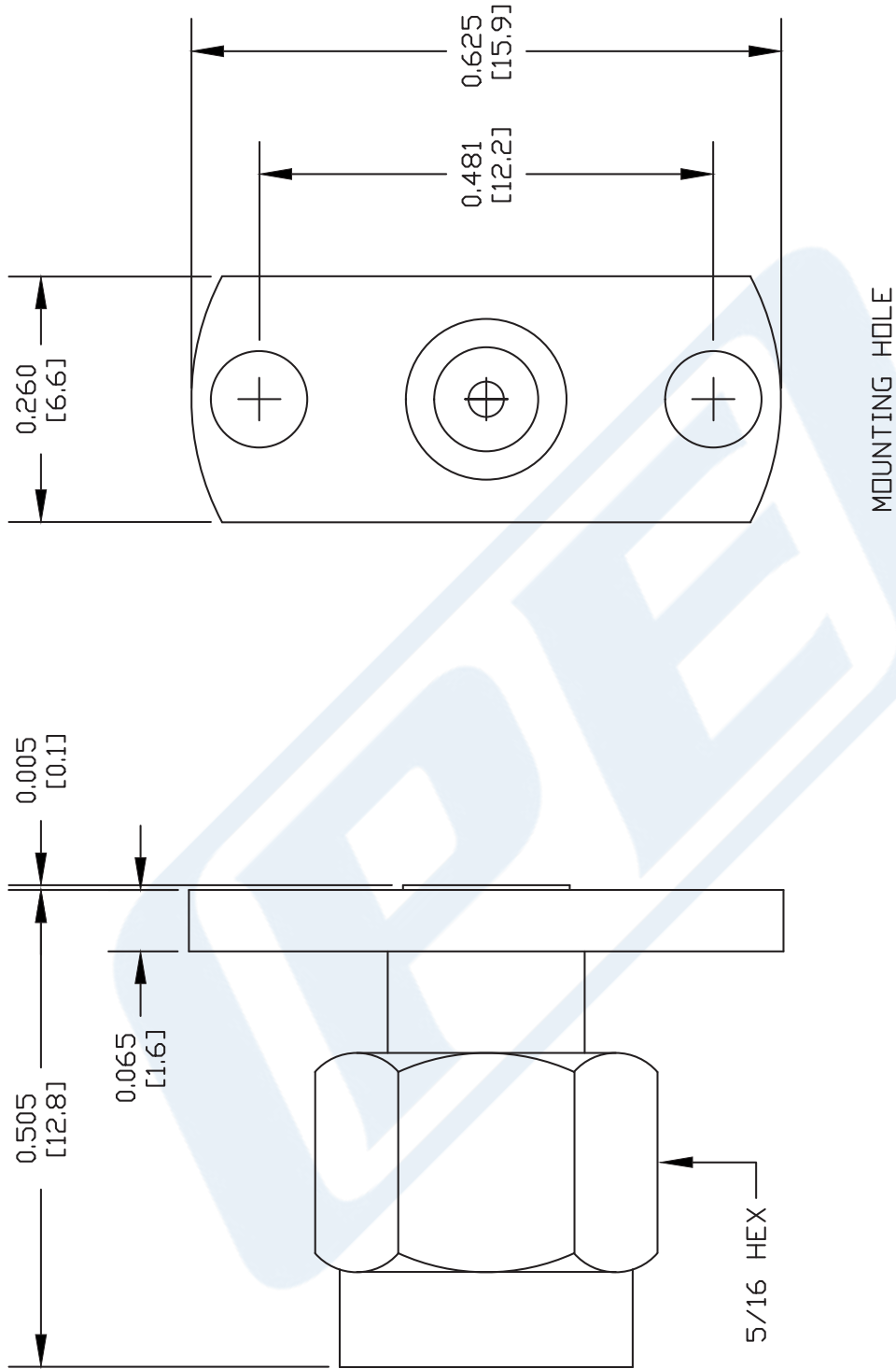
Click the following link (or enter part number in "SEARCH" on website) to obtain additional part information including price, inventory and certifications: [2.92mm Male Field Replaceable Connector 2 Hole Flange Mount .012 inch Pin, .481 inch Hole Spacing PE44232](#)

URL: <https://www.pasternack.com/2.92mm-male-standard-0.012-pin-connector-pe44232-p.aspx>

The information contained in this document is accurate to the best of our knowledge and representative of the part described herein. It may be necessary to make modifications to the part and/or the documentation of the part, in order to implement improvements. Pasternack reserves the right to make such changes as required. Unless otherwise stated, all specifications are nominal. Pasternack does not make any representation or warranty regarding the suitability of the part described herein for any particular purpose, and Pasternack does not assume any liability arising out of the use of any part or documentation.

# PE44232 CAD Drawing

2.92mm Male Field Replaceable Connector 2 Hole Flange  
Mount .012 inch Pin, .481 inch Hole Spacing



DWG TITLE

**PE44232**

FSCM NO. 53919

- NOTES:
1. UNLESS OTHERWISE SPECIFIED ALL DIMENSIONS ARE NOMINAL.
  2. ALL SPECIFICATIONS ARE SUBJECT TO CHANGE WITHOUT NOTICE AT ANY TIME.
  3. DIMENSIONS ARE IN INCHES [mm].
  4. FITS MIL-C-17 AND EQUIVALENT CABLES.

CAD FILE 070202

SCALE N/A

SIZE A

127



Pasternack Enterprises, Inc.  
P.O. Box 16759 | Irvine | CA | 92623  
Phone: (949) 261-1920 | Fax: (949) 261-7451  
Website: [www.pasternack.com](http://www.pasternack.com) | E-Mail: [sales@pasternack.com](mailto:sales@pasternack.com)