



RT SMA Female Connector Solder Attachment .062 inch
 End Launch PCB, .020 inch x .010 inch Contact

RF Connectors Technical Data Sheet

PE44202

Configuration

- SMA Female Reverse Thread Connector
- MIL-STD-348
- 50 Ohms
- Straight Body Geometry
- .062 inch End Launch Interface Type
- Solder Attachment

Features

- Gold Plated Contact
- Contact plating according to MIL-G-45204
- Reverse Thread

Applications

- General Purpose Test
- PCB Applications

Description

Pasternack's PE44202 RT SMA female connector with solder attachment for .062 inch end launch PCB is part of our full line of RF components available for same-day shipping. This connector has a reverse thread, also known as a left-handed thread, for connector keying.

Our reverse thread SMA female connector PE44202 datasheet specifications and drawing with dimensions are shown below in this PDF. Pasternack's broad catalog of RF, microwave and millimeter wave connectors allows designers to configure and customize their signal connections however they like. Whether the need is to provide an I/O for a board design, or simply create a custom cable assembly configuration, Pasternack has the right connector for the job. Pasternack can also expertly build your custom cable assemblies for you and ship same-day.

Mechanical Specifications

Size

Length	0.562 in [14.27 mm]
Width/Dia.	0.375 in [9.53 mm]
Height	0.312 in [7.92 mm]
Weight	0.005 lbs [2.27 g]

Material Specifications

Description	Material	Plating
Contact		Gold MIL-G-45204
Insulation	PTFE	
Body	Brass	Gold MIL-G-45204

Click the following link (or enter part number in "SEARCH" on website) to obtain additional part information including price, inventory and certifications: [RT SMA Female Connector Solder Attachment .062 inch End Launch PCB, .020 inch x .010 inch Contact PE44202](#)



RT SMA Female Connector Solder Attachment .062 inch
End Launch PCB, .020 inch x .010 inch Contact

RF Connectors Technical Data Sheet

PE44202

Compliance Certifications (see [product page](#) for current document)

Plotted and Other Data

Notes:

RT SMA Female Connector Solder Attachment .062 inch End Launch PCB, .020 inch x .010 inch Contact from Pasternack Enterprises has same day shipment for domestic and International orders. Our RF, microwave and millimeter wave products maintain a 99% availability and are part of the broadest selection in the industry.

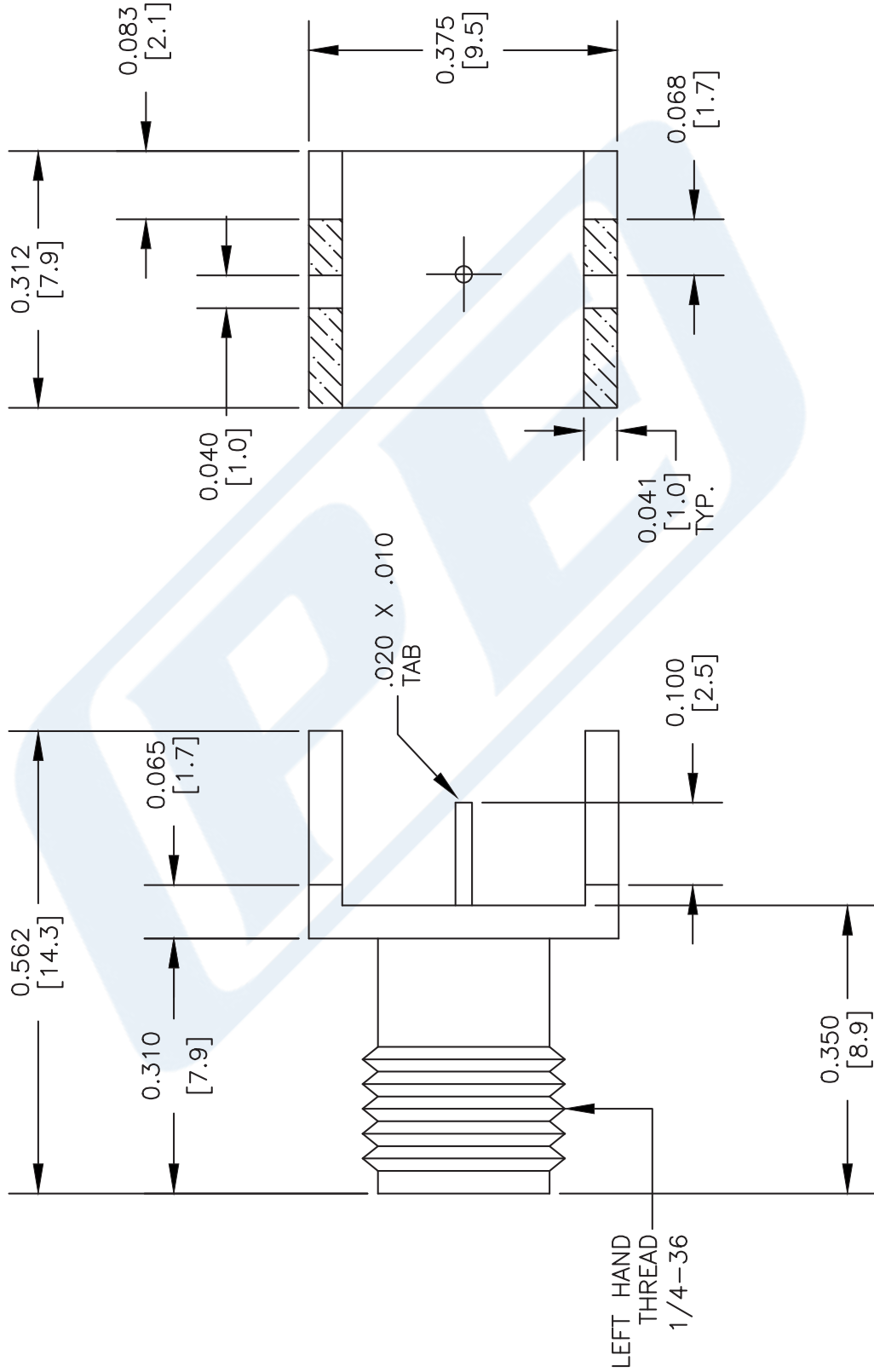
Click the following link (or enter part number in "SEARCH" on website) to obtain additional part information including price, inventory and certifications: [RT SMA Female Connector Solder Attachment .062 inch End Launch PCB, .020 inch x .010 inch Contact PE44202](#)

URL: <https://www.pasternack.com/sma-female-reverse-thread-0.062-end-launch-connector-pe44202-p.aspx>

The information contained in this document is accurate to the best of our knowledge and representative of the part described herein. It may be necessary to make modifications to the part and/or the documentation of the part, in order to implement improvements. Pasternack reserves the right to make such changes as required. Unless otherwise stated, all specifications are nominal. Pasternack does not make any representation or warranty regarding the suitability of the part described herein for any particular purpose, and Pasternack does not assume any liability arising out of the use of any part or documentation.

PE44202 CAD Drawing

RT SMA Female Connector Solder Attachment .062 inch
End Launch PCB, .020 inch x .010 inch Contact



NOTES:
1. UNLESS OTHERWISE SPECIFIED ALL DIMENSIONS ARE NOMINAL.
2. ALL SPECIFICATIONS ARE SUBJECT TO CHANGE WITHOUT NOTICE AT ANY TIME.
3. DIMENSIONS ARE IN INCHES [mm].
4. FITS MIL-C-17 AND EQUIVALENT CABLES.

DWG TITLE
PE44202

FSCM NO. 53919

SCALE N/A

SIZE A

CAD FILE 070202

127

PE PASTERNAK®
Pasternack Enterprises, Inc.
P.O. Box 16759 | Irvine | CA | 92623
Phone: (949) 261-1920 | Fax: (949) 261-7451
Website: www.pasternack.com | E-Mail: sales@pasternack.com