



SMB Jack Connector Solder Attachment 4 Hole Flange  
Mount Solder Cup Terminal, .232 inch Hole Spacing

RF Connectors Technical Data Sheet

PE44142

**Configuration**

- SMB Jack Connector
- MIL-STD-348
- 50 Ohms
- Straight Body Geometry
- Solder Cup Interface Type
- Solder Attachment
- 4 Hole Flange

**Features**

- Gold Plated Contact
- Contact plating according to MIL-G-45204

**Applications**

- General Purpose Test
- Rack and Panel Mount Applications

**Description**

Pasternack's PE44142 SMB jack connector solder attachment 4 hole flange mount solder cup terminal, .232 inch hole spacing is part of our full line of RF components available for same-day shipping. This SMB 4 hole flange connector allows designers to create external connections on their product enclosures, and can be used in a variety of other rack mount and panel mount applications.

Our SMB jack 4 hole flange connector PE44142 datasheet specifications and drawing with dimensions are shown below in this PDF. Pasternack's broad catalog of RF, microwave and millimeter wave connectors allows designers to configure and customize their signal connections however they like. Whether the need is to provide an I/O for a board design, or simply create a custom cable assembly configuration, Pasternack has the right connector for the job. Pasternack can also expertly build your custom cable connector assemblies for you and ship same-day.

**Mechanical Specifications**

**Size**

Length	0.575 in [14.61 mm]
Width/Dia.	0.375 in [9.53 mm]
Height	0.375 in [9.53 mm]
Weight	0.004 lbs [1.81 g]

**Material Specifications**

Description	Material	Plating
Contact		Gold MIL-G-45204
Insulation	PTFE	
Body	Brass	Gold MIL-G-45204

Click the following link (or enter part number in "SEARCH" on website) to obtain additional part information including price, inventory and certifications: [SMB Jack Connector Solder Attachment 4 Hole Flange Mount Solder Cup Terminal, .232 inch Hole Spacing PE44142](#)



## SMB Jack Connector Solder Attachment 4 Hole Flange Mount Solder Cup Terminal, .232 inch Hole Spacing

### RF Connectors Technical Data Sheet

PE44142

**Compliance Certifications** (see [product page](#) for current document)

#### Plotted and Other Data

Notes:

SMB Jack Connector Solder Attachment 4 Hole Flange Mount Solder Cup Terminal, .232 inch Hole Spacing from Pasternack Enterprises has same day shipment for domestic and International orders. Our RF, microwave and millimeter wave products maintain a 99% availability and are part of the broadest selection in the industry.

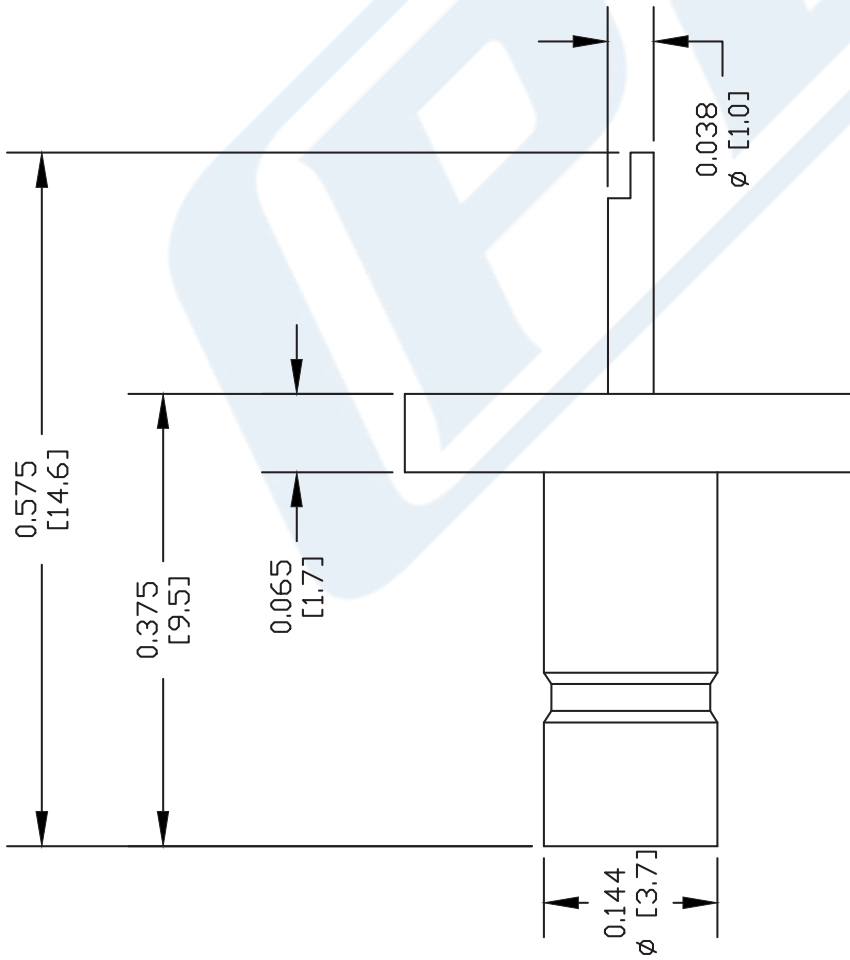
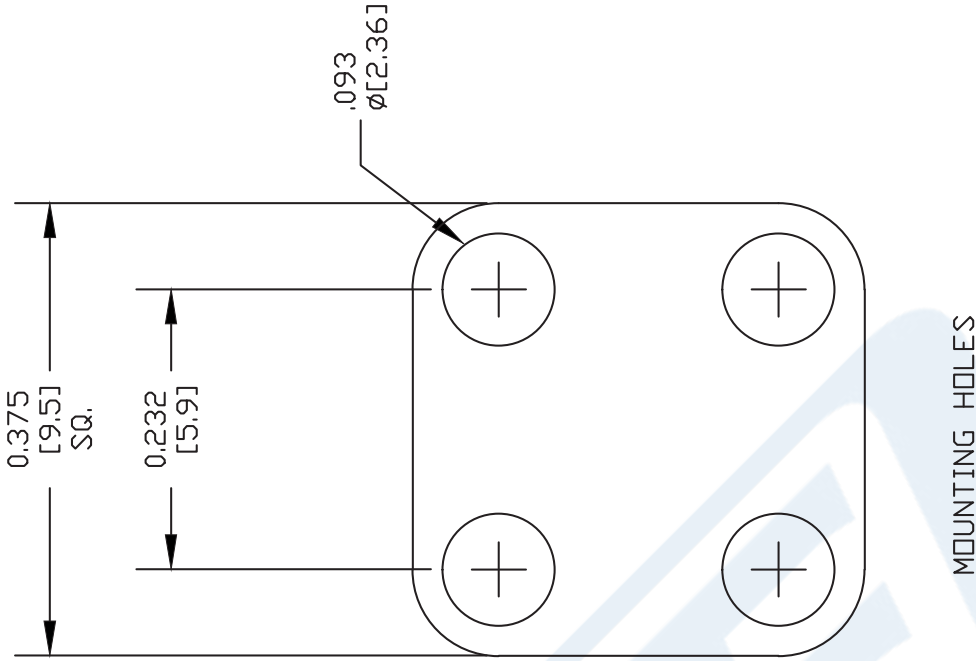
Click the following link (or enter part number in "SEARCH" on website) to obtain additional part information including price, inventory and certifications: [SMB Jack Connector Solder Attachment 4 Hole Flange Mount Solder Cup Terminal, .232 inch Hole Spacing PE44142](#)

URL: <https://www.pasternack.com/smb-jack-standard-solder-cup-terminal-connector-pe44142-p.aspx>

The information contained in this document is accurate to the best of our knowledge and representative of the part described herein. It may be necessary to make modifications to the part and/or the documentation of the part, in order to implement improvements. Pasternack reserves the right to make such changes as required. Unless otherwise stated, all specifications are nominal. Pasternack does not make any representation or warranty regarding the suitability of the part described herein for any particular purpose, and Pasternack does not assume any liability arising out of the use of any part or documentation.

# PE44142 CAD Drawing

SMB Jack Connector Solder Attachment 4 Hole Flange Mount  
Solder Cup Terminal, .232 inch Hole Spacing



DWG TITLE

**PE44142**

- NOTES:
1. UNLESS OTHERWISE SPECIFIED ALL DIMENSIONS ARE NOMINAL.
  2. ALL SPECIFICATIONS ARE SUBJECT TO CHANGE WITHOUT NOTICE AT ANY TIME.
  3. DIMENSIONS ARE IN INCHES [mm].
  4. FITS MIL-C-17 AND EQUIVALENT CABLES.

FSCM NO. 53919

CAD FILE 070302

SCALE N/A

SIZE A

127



Pasternack Enterprises, Inc.  
P.O. Box 16759 | Irvine | CA | 92623  
Phone: (949) 261-1920 | Fax: (949) 261-7451  
Website: [www.pasternack.com](http://www.pasternack.com) | E-Mail: [sales@pasternack.com](mailto:sales@pasternack.com)