

## MHV Female Bulkhead Mount Connector Crimp/ Solder Attachment for RG59B/U, RG62, RG71



### PE44110

#### Configuration

- MHV Female Connector
- MIL-STD-348
- 50 Ohms
- Straight Body Geometry
- Connector Interface Types: RG59B/U, RG62, RG71
- Bulkhead

#### Features

- Silver Plated Beryllium Copper Contact
- Contact plating according to QQ-S-365

#### Applications

- General Purpose Test
- Rack and Panel Mount Applications
- Custom Cable Assemblies

#### Description

Pasternack's PE44110 , MHV, Standard, Connector is part of our full line of RF components available for same-day shipping. This MHV bulkhead connector allows designers to create external connections on their product enclosures, and can be used in a variety of other rack mount and panel mount applications.

Our MHV female bulkhead connector PE44110 datasheet specifications and drawing with dimensions are shown below in this PDF. Pasternack's broad catalog of RF, microwave and millimeter wave connectors allows designers to configure and customize their signal connections however they like. Whether the need is to provide an I/O for a board design, or simply create a custom cable assembly configuration, Pasternack has the right connector for the job. Pasternack can also expertly build your custom cable assemblies for you and ship same-day.

#### Electrical Specifications

Description	Minimum	Typical	Maximum	Units
Operating Voltage (AC)			3,500	Vrms
Dielectric Withstanding Voltage (AC)			5,000	Vrms
Insulation Resistance	5,000			MOhms
Impedance		50		Ohms

#### Mechanical Specifications

##### Size

Length	1.575 in [40.01 mm]
Width	0.688 in [17.48 mm]
Height	0 in [0 mm]
Weight	0.048 lbs [21.77 g]

MHV Female Bulkhead Mount Connector Crimp/  
Solder Attachment for RG59B/U, RG62, RG71



**PE44110**

**Material Specifications**

Description	Material	Plating
Contact	Beryllium Copper	Silver QQ-S-365
Insulation	PTFE	
Body	Brass	Nickel QQ-N-290

**Environmental Specifications**

**Temperature**

Operating Range -65 to +165 deg C

**Compliance Certifications** (see [product page](#) for current document)

**Plotted and Other Data**

Notes:

MHV Female Bulkhead Mount Connector Crimp/Solder Attachment for RG59B/U, RG62, RG71 from Pasternack Enterprises has same day shipment for domestic and International orders. Our RF, microwave and millimeter wave products maintain a 99.4% availability and are part of the broadest selection in the industry.

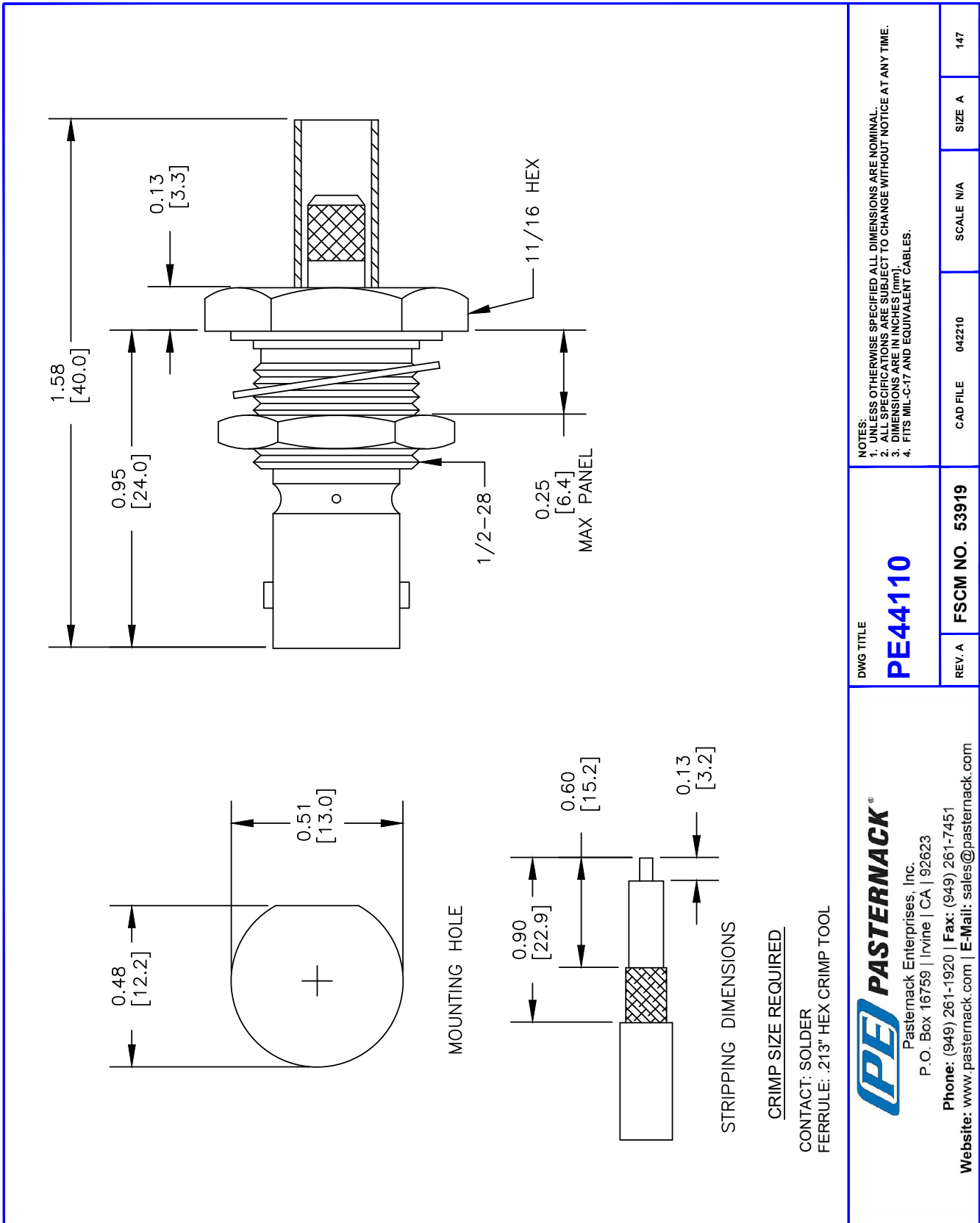
Click the following link (or enter part number in "SEARCH" on website) to obtain additional part information including price, inventory and certifications: [MHV Female Bulkhead Mount Connector Crimp/Solder Attachment for RG59B/U, RG62, RG71 PE44110](#)

URL: <https://www.pasternack.com/mhv-female-rg59b-u-rg62-rg71-connector-pe44110-p.aspx>

The information contained within this document is accurate to the best of our knowledge and representative of the part described herein. It may be necessary to make modifications to the part and/or the documentation of the part in order to implement improvements. Pasternack Enterprises reserves the right to make such changes as required. Unless otherwise stated, all specifications are nominal. Pasternack Enterprises does not make any representation or warranty regarding the suitability of the part described herein for any particular purpose, and Pasternack Enterprises does not assume liability arising out of the use of any part or document.

# PE44110 CAD Drawing

MHV Female Bulkhead Mount Connector Crimp/Solder Attachment for RG59B/U, RG62, RG71



DWG TITLE <b>PE44110</b>		CAD FILE 042210		SCALE N/A		SIZE A	
REV. A	FSCM NO. 53919	CAD FILE	042210	SCALE	N/A	SIZE	A
PASTERNACK® Pasternack Enterprises, Inc. P.O. Box 16759   Irvine   CA   92623 Phone: (949) 261-1920   Fax: (949) 261-7451 Website: www.pasternack.com   E-Mail: sales@pasternack.com		NOTES: 1. UNLESS OTHERWISE SPECIFIED ALL DIMENSIONS ARE NOMINAL. 2. ALL SPECIFICATIONS ARE SUBJECT TO CHANGE WITHOUT NOTICE AT ANY TIME. 3. DIMENSIONS ARE IN INCHES [mm]. 4. FITS MIL-C-17 AND EQUIVALENT CABLES.		REV. A		147	