



MHV Female Bulkhead Mount Hermetically Sealed Connector
Solder Attachment Solder Cup Terminal, .380 inch DD Hole

RF Connectors
Technical Data Sheet

PE4311

Configuration

- MHV Female Connector
- MIL-STD-348
- 50 Ohms
- Straight Body Geometry
- Connector Interface Types: Solder Cup
- Bulkhead

Features

- Max. Operating Frequency 500 MHz
- Silver Plated Beryllium Copper Contact
- Contact plating according to QQ-S-365
- Hermetically Sealed

Applications

- General Purpose Test
- Rack and Panel Mount Applications

Description

Pasternack's PE4311, MHV, Standard, connector with Solder Cup terminal is part of our full line of RF components available for same-day shipping. Our MHV female connector operates up to a maximum frequency of 500 MHz. This MHV bulkhead connector allows designers to create external connections on their product enclosures, and can be used in a variety of other rack mount and panel mount applications.

Our MHV female bulkhead connector PE4311 datasheet specifications and drawing with dimensions are shown below in this PDF. Pasternack's broad catalog of RF, microwave and millimeter wave connectors allows designers to configure and customize their signal connections however they like. Whether the need is to provide an I/O for a board design, or simply create a custom cable assembly configuration, Pasternack has the right connector for the job. Pasternack can also expertly build your custom cable assemblies for you and ship same-day.

Electrical Specifications

Description	Minimum	Typical	Maximum	Units
Frequency Range	DC		500	MHz
Operating Voltage (AC)			3,500	Vrms
Impedance		50		Ohms
Dielectric Withstanding Voltage (AC)			5,000	Vrms
Insulation Resistance	5,000			MOhms

Mechanical Specifications

Size	
Length	1.80 in [45.72 mm]
Width	0.34 in [8.64 mm]
Height	0.38 in [9.65 mm]
Weight	0.03 lbs [14.06 g]

Click the following link (or enter part number in "SEARCH" on website) to obtain additional part information including price, inventory and certifications: [MHV Female Bulkhead Mount Hermetically Sealed Connector Solder Attachment Solder Cup Terminal, .380 inch DD Hole PE4311](#)



MHV Female Bulkhead Mount Hermetically Sealed Connector
Solder Attachment Solder Cup Terminal, .380 inch DD Hole

RF Connectors
Technical Data Sheet

PE4311

Material Specifications

Description	Material	Plating
Contact	Beryllium Copper	Silver QQ-S-365
Insulation	PTFE	
Outer Conductor	Brass	Silver
Body	Brass	Nickel QQ-N-290
Washer	Phosphor Bronze	Nickel
O-Ring	Nitrile Rubber	

Environmental Specifications

Temperature

Operating Range -65 to +165 deg C

Environmental Specification Notes:

This item shall withstand a pressure differential of one atmosphere with the leak rate not to exceed 1×10^{-5} cc/sec. of helium.

Compliance Certifications (see [product page](#) for current document)

Plotted and Other Data

Notes:

- Hermetic Seal Requirements: This item shall withstand a pressure differential of one atmosphere with the leak rate not to exceed 1×10^{-5} cc/sec. of helium.

Click the following link (or enter part number in "SEARCH" on website) to obtain additional part information including price, inventory and certifications: [MHV Female Bulkhead Mount Hermetically Sealed Connector Solder Attachment Solder Cup Terminal, .380 inch DD Hole PE4311](#)



MHV Female Bulkhead Mount Hermetically Sealed Connector Solder Attachment Solder Cup Terminal, .380 inch DD Hole

RF Connectors Technical Data Sheet

PE4311

MHV Female Bulkhead Mount Hermetically Sealed Connector Solder Attachment Solder Cup Terminal, .380 inch DD Hole from Pasternack Enterprises has same day shipment for domestic and International orders. Our RF, microwave and millimeter wave products maintain a 99.4% availability and are part of the broadest selection in the industry.

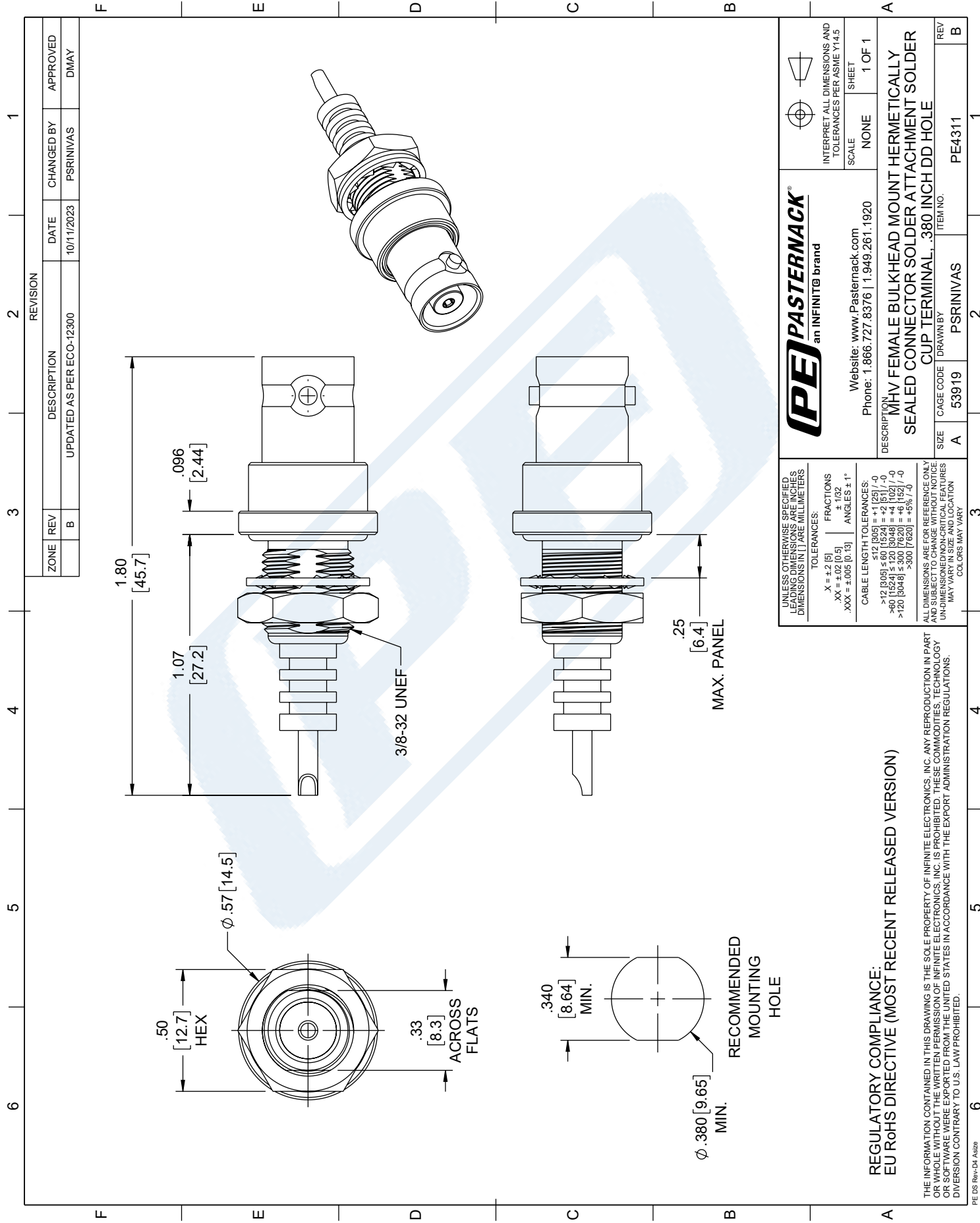
Click the following link (or enter part number in "SEARCH" on website) to obtain additional part information including price, inventory and certifications: [MHV Female Bulkhead Mount Hermetically Sealed Connector Solder Attachment Solder Cup Terminal, .380 inch DD Hole PE4311](https://www.pasternack.com/mhv-female-solder-cup-terminal-connector-pe4311-p.aspx)

URL: <https://www.pasternack.com/mhv-female-solder-cup-terminal-connector-pe4311-p.aspx>

The information contained in this document is accurate to the best of our knowledge and representative of the part described herein. It may be necessary to make modifications to the part and/or the documentation of the part, in order to implement improvements. Pasternack reserves the right to make such changes as required. Unless otherwise stated, all specifications are nominal. Pasternack does not make any representation or warranty regarding the suitability of the part described herein for any particular purpose, and Pasternack does not assume any liability arising out of the use of any part or documentation.

PE4311 CAD Drawing

MHV Female Bulkhead Mount Hermetically Sealed Connector Solder Attachment Solder Cup Terminal, .380 inch DD Hole



ZONE	REV	DESCRIPTION	DATE	CHANGED BY	APPROVED
	B	UPDATED AS PER ECO-12300	10/11/2023	PSRINIVAS	DMAY

REVISION

PE PASTERNAK
an INFINITIB® brand

Website: www.Pasternack.com
Phone: 1.866.727.8376 | 1.949.261.1920

DESCRIPTION: MHV FEMALE BULKHEAD MOUNT HERMETICALLY SEALED CONNECTOR SOLDER ATTACHMENT SOLDER CUP TERMINAL, .380 INCH DD HOLE

ITEM NO. PE4311

SCALE: NONE SHEET 1 OF 1

INTERPRET ALL DIMENSIONS AND TOLERANCES PER ASME Y14.5

UNLESS OTHERWISE SPECIFIED LEADING DIMENSIONS ARE IN INCHES DIMENSIONS IN [] ARE IN MILLIMETERS

TOLERANCES:
 .X = ±.2 [5]
 .XX = ±.02 [0.5]
 .XXX = ±.005 [0.13]

FRACTIONS: ± 1/32
 ANGLES: ± 1°

CABLE LENGTH TOLERANCES:
 ≤ 12 [305] ±.12 [3.05] = +.1 [25] / -0
 >12 [305] ≤ 60 [1524] = +.2 [51] / -0
 >60 [1524] ≤ 120 [3048] = +.4 [102] / -0
 >120 [3048] ≤ 300 [7620] = +.6 [152] / -0
 >300 [7620] = +.5% / -0

ALL DIMENSIONS ARE FOR REFERENCE ONLY AND SUBJECT TO CHANGE WITHOUT NOTICE UNLESS OTHERWISE SPECIFIED. CRITICAL FEATURES MAY VARY IN SIZE AND LOCATION COLORS MAY VARY

REGULATORY COMPLIANCE:
EU RoHS DIRECTIVE (MOST RECENT RELEASED VERSION)

THE INFORMATION CONTAINED IN THIS DRAWING IS THE SOLE PROPERTY OF INFINITE ELECTRONICS, INC. ANY REPRODUCTION IN PART OR WHOLE WITHOUT THE WRITTEN PERMISSION OF INFINITE ELECTRONICS, INC. IS PROHIBITED. THESE COMMODITIES, TECHNOLOGY OR SOFTWARE WERE EXPORTED FROM THE UNITED STATES IN ACCORDANCE WITH THE EXPORT ADMINISTRATION REGULATIONS. DIVERSION CONTRARY TO U.S. LAW PROHIBITED.

PE DS Rev-D4 A426