



75 Ohm SMB Plug Bulkhead Connector Solder Attachment Solder Cup Terminal, .295 inch D Hole

TECHNICAL DATA SHEET

PE4290

75 Ohm SMB Plug Bulkhead Connector Solder Attachment Solder Cup Terminal, .295 inch D Hole

Configuration

Connector	SMB Plug
Connector Interface Type	Solder Cup
Cable Attachment Method (Shield/Contact)	Solder
Body Style	Straight
Mount Method	Bulkhead

Electrical Specifications

Impedance, Ohms	75
-----------------	----

Mechanical Specifications

Size

Length, in [mm]	0.706 [17.93]
Width/Dia., in [mm]	0.362 [9.19]
Weight, lbs [g]	0.013 [5.9]

Connector

Type	SMB Plug
Contact Material and Plating	Gold
Body Material and Plating	Brass, Gold
Dielectric Type	PTFE

Compliance Certifications (visit www.Pasternack.com for current document)

Plotted and Other Data

Notes: Values at 25 °C, sea level

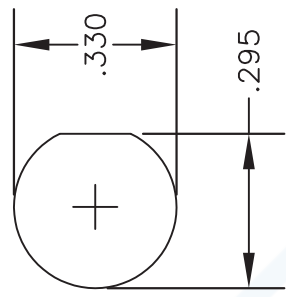
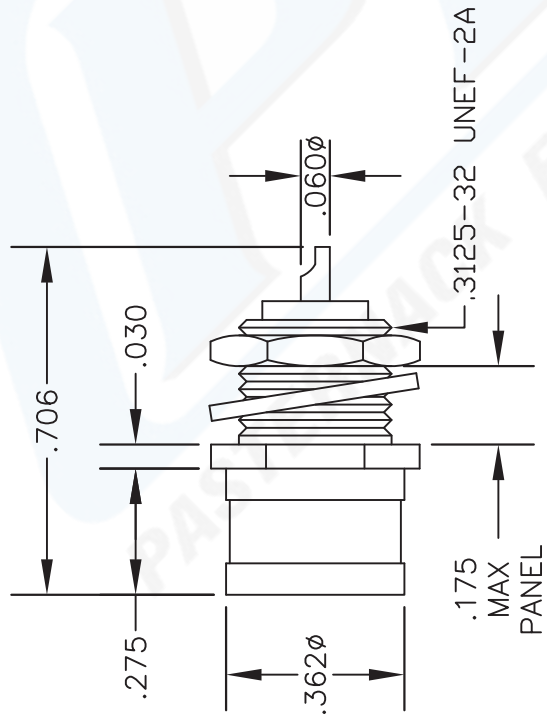
75 Ohm SMB Plug Bulkhead Connector Solder Attachment Solder Cup Terminal, .295 inch D Hole from Pasternack Enterprises has same day shipment for domestic and International orders. Our RF, microwave and fiber optic products maintain a 99% availability and are part of the broadest selection in the industry.

Click the following link (or enter part number in "SEARCH" on website) to obtain additional part information including price, inventory and certifications: [75 Ohm SMB Plug Bulkhead Connector Solder Attachment Solder Cup Terminal, .295 inch D Hole PE4290](http://www.pasternack.com/smb-plug-standard-solder-cup-terminal-connector-pe4290-p.aspx)

URL: <http://www.pasternack.com/smb-plug-standard-solder-cup-terminal-connector-pe4290-p.aspx>

The information contained in this document is accurate to the best of our knowledge and representative of the part described herein. It may be necessary to make modifications to the part and/or the documentation of the part, in order to implement improvements. Pasternack reserves the right to make such changes as required. Unless otherwise stated, all specifications are nominal.

MATERIALS	
BODY	BRASS GOLD PLATED
CONTACT	GOLD PLATED
INSULATOR	PTFE



MOUNTING HOLE



PASTERNAK ENTERPRISES, INC.
 PO BOX 16759, IRVINE, CA 92623
 PHONE (949) 261-1920 FAX (949) 261-7451
 WEB ADDRESS: www.pasternack.com
 E-MAIL ADDRESS: sales@pasternack.com
COAXIAL & FIBER OPTICS

DWG TITLE	DES. "75 OHM SMB" PLUG, BULKHEAD RECEPTACLE, FRONT MOUNT, SOLDER CUP TERMINAL		
PE4290			
SIZE A	FSCM NO. 53919	CAD FILE 110703	SCALE N/A 127

NOTES:
 1. UNLESS OTHERWISE SPECIFIED ALL DIMENSIONS ARE NOMINAL.
 2. ALL SPECIFICATIONS ARE SUBJECT TO CHANGE WITHOUT NOTICE AT ANY TIME.