



SMC Plug Right Angle Connector Solder Attachment
Thru Hole PCB, .200 inch x .067 inch Hole Spacing

RF Connectors Technical Data Sheet

PE4246

Configuration

- SMC Plug Connector
- MIL-STD-348
- 50 Ohms
- Right Angle Body Geometry
- Thru Hole Interface Type
- Solder Attachment
- 1/4 inch Hex

Features

- Gold Plated Contact
- Contact plating according to MIL-G-45204

Applications

- General Purpose Test
- PCB Applications

Description

Pasternack's PE4246 SMC plug right angle connector with solder attachment for thru hole PCB (.200 inch x .067 inch hole spacing) is part of our full line of RF components available for same-day shipping. Its right angle body geometry allows for easier connections in tight spaces.

Our SMC plug right angle connector PE4246 datasheet specifications and drawing with dimensions are shown below in this PDF. Pasternack's broad catalog of RF, microwave and millimeter wave connectors allows designers to configure and customize their signal connections however they like. Whether the need is to provide an I/O for a board design, or simply create a custom cable assembly configuration, Pasternack has the right connector for the job. Pasternack can also expertly build your custom cable assemblies for you and ship same-day.

Mechanical Specifications

Size

Length	0.56 in [14.22 mm]
Width/Dia.	0.25 in [6.35 mm]
Height	0.437 in [11.1 mm]
Weight	0.006 lbs [2.72 g]
Mating Torque	3 to 5 in-lbs [0.34 to 0.57 Nm]

Material Specifications

Description	Material	Plating
Contact		Gold MIL-G-45204
Insulation	PTFE	
Body	Brass	Gold MIL-G-45204

Click the following link (or enter part number in "SEARCH" on website) to obtain additional part information including price, inventory and certifications: [SMC Plug Right Angle Connector Solder Attachment Thru Hole PCB, .200 inch x .067 inch Hole Spacing PE4246](#)



SMC Plug Right Angle Connector Solder Attachment
Thru Hole PCB, .200 inch x .067 inch Hole Spacing

RF Connectors Technical Data Sheet

PE4246

Compliance Certifications (see [product page](#) for current document)

Plotted and Other Data

Notes:

SMC Plug Right Angle Connector Solder Attachment Thru Hole PCB, .200 inch x .067 inch Hole Spacing from Pasternack Enterprises has same day shipment for domestic and International orders. Our RF, microwave and millimeter wave products maintain a 99% availability and are part of the broadest selection in the industry.

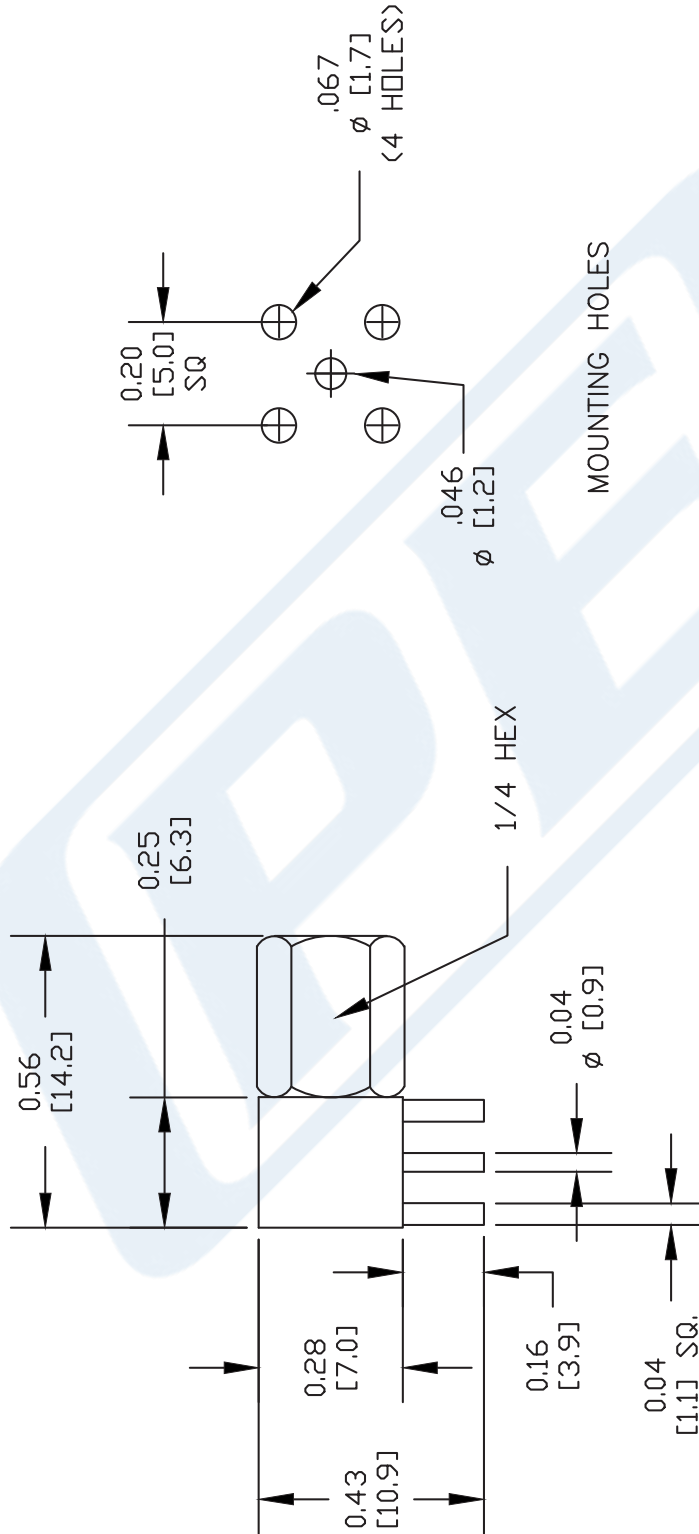
Click the following link (or enter part number in "SEARCH" on website) to obtain additional part information including price, inventory and certifications: [SMC Plug Right Angle Connector Solder Attachment Thru Hole PCB, .200 inch x .067 inch Hole Spacing PE4246](#)

URL: <https://www.pasternack.com/smc-plug-standard-thru-hole-pcb-connector-pe4246-p.aspx>

The information contained in this document is accurate to the best of our knowledge and representative of the part described herein. It may be necessary to make modifications to the part and/or the documentation of the part, in order to implement improvements. Pasternack reserves the right to make such changes as required. Unless otherwise stated, all specifications are nominal. Pasternack does not make any representation or warranty regarding the suitability of the part described herein for any particular purpose, and Pasternack does not assume any liability arising out of the use of any part or documentation.

PE4246 CAD Drawing

SMC Plug Right Angle Connector Solder Attachment Thru Hole PCB, .200 inch x .067 inch Hole Spacing



NOTES:
 1. UNLESS OTHERWISE SPECIFIED ALL DIMENSIONS ARE NOMINAL.
 2. ALL SPECIFICATIONS ARE SUBJECT TO CHANGE WITHOUT NOTICE AT ANY TIME.
 3. DIMENSIONS ARE IN INCHES [mm].
 4. FITS MIL-C-17 AND EQUIVALENT CABLES.

DWG TITLE
PE4246

FSCM NO. 53919

PE PASTERNAK®
 Pasternack Enterprises, Inc.
 P.O. Box 16759 | Irvine | CA | 92623
 Phone: (949) 261-1920 | Fax: (949) 261-7451
 Website: www.pasternack.com | E-Mail: sales@pasternack.com

CAD FILE 012111-A SCALE N/A SIZE A 127