



BNC Twinax Plug Connector Clamp/Solder Attachment for RG108, 78 Ohm Twinax

RF Connectors Technical Data Sheet

PE4236

Configuration

- BNC Twinax Plug Connector
- MIL-STD-348
- 78 Ohms
- Straight Body Geometry
- RG108, 78 Ohm Twinax Interface Type
- Clamp/Solder Attachment

Features

- Silver Plated Contact
- Contact plating according to QQ-S-365

Applications

- General Purpose Test
- Custom Cable Assemblies

Description

Pasternack's PE4236 78 ohm BNC Twinax plug connector with clamp/solder attachment for RG108 and 78 Ohm Twinax is part of our full line of RF components available for same-day shipping.

Our 78 ohm BNC Twinax plug connector PE4236 datasheet specifications and drawing with dimensions are shown below in this PDF. Pasternack's broad catalog of RF, microwave and millimeter wave connectors allows designers to configure and customize their signal connections however they like. Whether the need is to provide an I/O for a board design, or simply create a custom cable assembly configuration, Pasternack has the right connector for the job. Pasternack can also expertly build your custom cable assemblies for you and ship same-day.

Electrical Specifications

Description	Minimum	Typical	Maximum	Units
Operating Voltage (AC)			500	Vrms
Insulation Resistance	5,000			MOhms

Mechanical Specifications

Size	
Length	1.1 in [27.94 mm]
Width/Dia.	0.57 in [14.48 mm]
Weight	0.039 lbs [17.69 g]

Click the following link (or enter part number in "SEARCH" on website) to obtain additional part information including price, inventory and certifications: [BNC Twinax Plug Connector Clamp/Solder Attachment for RG108, 78 Ohm Twinax PE4236](#)



BNC Twinax Plug Connector Clamp/Solder Attachment for RG108, 78 Ohm Twinax

RF Connectors Technical Data Sheet

PE4236

Material Specifications

Description	Material	Plating
Contact		Silver QQ-S-365
Insulation	PTFE	
Body	Brass	Nickel QQ-N-290
Coupling Nut	Brass	Nickel QQ-N-290

Compliance Certifications (see [product page](#) for current document)

Plotted and Other Data

Notes:

BNC Twinax Plug Connector Clamp/Solder Attachment for RG108, 78 Ohm Twinax from Pasternack Enterprises has same day shipment for domestic and International orders. Our RF, microwave and millimeter wave products maintain a 99% availability and are part of the broadest selection in the industry.

Click the following link (or enter part number in "SEARCH" on website) to obtain additional part information including price, inventory and certifications: [BNC Twinax Plug Connector Clamp/Solder Attachment for RG108, 78 Ohm Twinax PE4236](#)

URL: <https://www.pasternack.com/bnc-twinax-plug-standard-rg108-78-ohm-twinax-connector-pe4236-p.aspx>

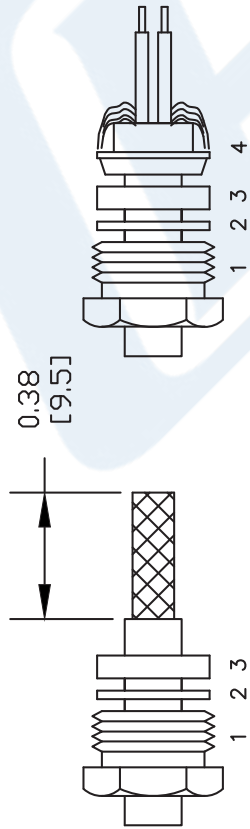
The information contained in this document is accurate to the best of our knowledge and representative of the part described herein. It may be necessary to make modifications to the part and/or the documentation of the part, in order to implement improvements. Pasternack reserves the right to make such changes as required. Unless otherwise stated, all specifications are nominal. Pasternack does not make any representation or warranty regarding the suitability of the part described herein for any particular purpose, and Pasternack does not assume any liability arising out of the use of any part or documentation.

PE4236 CAD Drawing

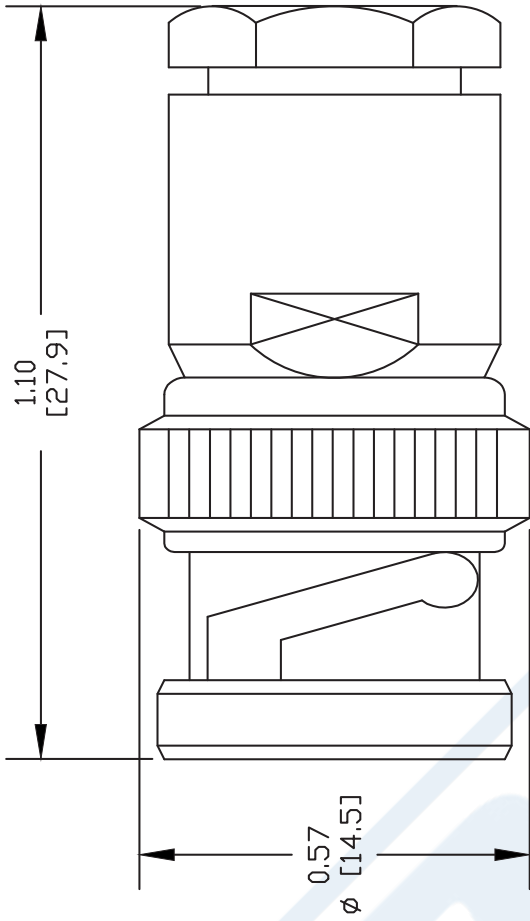
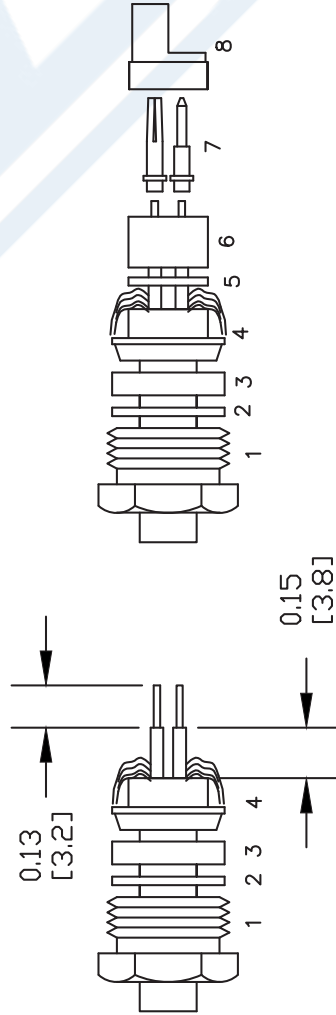
BNC Twinax Plug Connector Clamp/Solder Attachment for RG108, 78 Ohm Twinax

ASSEMBLY PROCEDURES

1. SLIDE CLAMP NUT (1), WASHER (2) & GASKET (3) OVER CABLE. STRIP CABLE TO DIMENSION SHOWN. DO NOT NICK BRAID & DIELECTRIC. COMB OUT BRAID. TAPER END OF BRAID TO PERMIT ASSEMBLY OF BRAID CLAMP (4) . SLIDE BRAID CLAMP (4) OVER BRAID & BUTT AGAINST JACKET. FORM BRAID OVER CLAMP NUT (4). TRIM BRAID FLUSH WITH SHOULDER OF BRAID CLAMP (4).



2. STRIP CABLE TO DIMENSION SHOWN. SLIDE SMALL WASHER (5) REAR INSULATOR (6) OVER DIELECTRICS. SOLDER CONTACTS (7) TO CENTER CONDUCTOR THROUGH HOLE IN CONTACT. CLEAN EXCESS SOLDER. SLIDE FRONT INSULATOR (8) OVER CONTACTS. SLIDE ASSEMBLY FORWARD INTO BODY & TIGHTEN.



DWG TITLE

PE4236

NOTES:
 1. UNLESS OTHERWISE SPECIFIED ALL DIMENSIONS ARE NOMINAL.
 2. ALL SPECIFICATIONS ARE SUBJECT TO CHANGE WITHOUT NOTICE AT ANY TIME.
 3. DIMENSIONS ARE IN INCHES [mm].
 4. FITS MIL-C-17 AND EQUIVALENT CABLES.

* WHEN SOLDERING CONTACTS MAKE SURE SAME SEX IS ON BOTH ENDS OF WIRE IDENTIFIED BY THE BARE COPPER WIRE.

PE PASTERNAK®

Pasternack Enterprises, Inc.
 P.O. Box 16759 | Irvine | CA | 92623
 Phone: (949) 261-1920 | Fax: (949) 261-7451
 Website: www.pasternack.com | E-Mail: sales@pasternack.com

REV. -

FSCM NO. 53919

CAD FILE 123005

SCALE N/A

SIZE A

127