



TNC Female Bulkhead to BNC Male Right Angle Low Loss Cable Using LMR-100 Coax with HeatShrink, LF Solder in 200CM

RF Cable Assemblies Technical Data Sheet

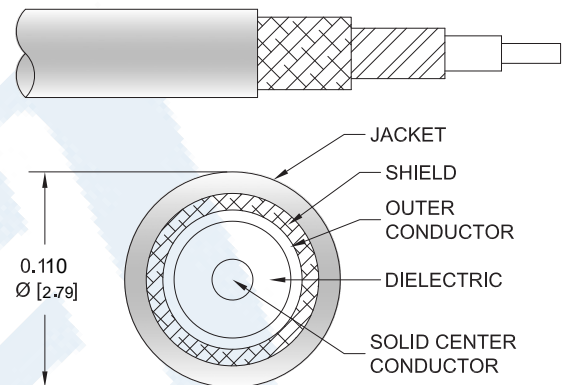
PE3W13046LF/HS-200CM

Configuration

- Connector 1: TNC Female Bulkhead
- Connector 2: BNC Male Right Angle
- Cable Type: LMR-100A

Features

- Max Frequency 1 GHz
- Shielding Effectivity > 90 dB
- 66% Phase Velocity
- Double Shielded
- PVC Jacket



Applications

- General Purpose
- Laboratory Use

Description

Pasternack's PE3W13046LF/HS-200CM TNC female bulkhead to BNC male right angle cable using LMR-100 coax is part of our full line of RF components available for same-day shipping. Pasternack's flexible RF cable assemblies are ideal for applications where tight bends and flexure are required. This Pasternack TNC to BNC cable assembly has a female to male gender configuration with 50 ohm flexible LMR-100A coax. The PE3W13046LF/HS-200CM TNC female to BNC male cable assembly operates to 1 GHz. The right angle BNC interface on the LMR-100A cable allows for easier connections in tight spaces. Our RF cable assembly with TNC bulkhead interface allows designers to create external connections on their product enclosures, and can be used in a variety of other rack mount and panel mount applications. The double shielding of this Pasternack cable assembly provides excellent shielding effectiveness of better than 90 dB.

Custom versions of most RF cable assemblies can be built and shipped same day. Custom cable assembly lengths can be obtained by specifying the desired length on the web site at time of order or by contacting a sales representative. Other available RF cable assembly value added services include connector orientation or clocking, heat shrink booting and custom labeling. RF testing can also be performed to document the electrical performance of your cable assembly.

Click the following link (or enter part number in "SEARCH" on website) to obtain additional part information including price, inventory and certifications: [TNC Female Bulkhead to BNC Male Right Angle Low Loss Cable Using LMR-100 Coax with HeatShrink, LF Solder in 200CM PE3W13046LF/HS-200CM](#)



TNC Female Bulkhead to BNC Male Right Angle Low Loss Cable Using LMR-100 Coax with HeatShrink, LF Solder in 200CM

RF Cable Assemblies Technical Data Sheet

PE3W13046LF/HS-200CM

Electrical Specifications

Description	Minimum	Typical	Maximum	Units
Frequency Range	DC		1,000	MHz
VSWR			1.5:1	
Velocity of Propagation		66		%
RF Shielding	90			dB
Group Delay		1.54 [5.05]		ns/ft [ns/m]
Capacitance		30.8 [101.05]		pF/ft [pF/m]
Inductance		0.077 [0.25]		uH/ft [uH/m]
DC Resistance Inner Conductor		81 [265.75]		Ω /1000ft [Ω /Km]
DC Resistance Outer Conductor		9.5 [31.17]		Ω /1000ft [Ω /Km]
Jacket Spark			2,000	Vrms

Specifications by Frequency

Description	F1	F2	F3	F4	F5	Units
Frequency	50	100	250	500	1,000	MHz
Insertion Loss (Typ.)	0.54	0.66	0.96	1.29	1.78	dB/ft
	1.77	2.17	3.15	4.23	5.84	dB/m

Electrical Specification Notes:

The Insertion Loss data above is based on the performance specifications of the coax and connectors used in this assembly. The Insertion Loss includes an estimated insertion loss of 0.1 dB for the Female connector and 0.2 for the Male connector.

Mechanical Specifications

Cable Assembly

Length*	78.74 in [200 cm]
Weight	0.154 lbs [69.85 g]

Cable

Cable Type	LMR-100A
Impedance	50 Ohms
Inner Conductor Type	Solid
Inner Conductor Material and Plating	Copper Clad Steel
Dielectric Type	PE
Number of Shields	2
Shield Layer 1	Aluminum Tape
Shield Layer 2	Tinned Copper Braid

Click the following link (or enter part number in "SEARCH" on website) to obtain additional part information including price, inventory and certifications: [TNC Female Bulkhead to BNC Male Right Angle Low Loss Cable Using LMR-100 Coax with HeatShrink, LF Solder in 200CM PE3W13046LF/HS-200CM](#)



TNC Female Bulkhead to BNC Male Right Angle Low Loss Cable Using LMR-100 Coax with HeatShrink, LF Solder in 200CM

RF Cable Assemblies Technical Data Sheet

PE3W13046LF/HS-200CM

Jacket Material	PVC, Black
Jacket Diameter	0.11 in [2.79 mm]
One Time Minimum Bend Radius	0.25 in [6.35 mm]
Repeated Minimum Bend Radius	1 in [25.4 mm]
Bending Moment	0.1 lbs-ft [0.14 N-m]
Flat Plate Crush	10 lbs/in [0.18 Kg/mm]
Tensile Strength	15 lbs [6.8 Kg]

Connectors

Description	Connector 1	Connector 2
Type	TNC Female Bulkhead	BNC Male Right Angle
Specification	MIL-STD-348A	
Impedance	50 Ohms	50 Ohms
Contact Material and Plating	Brass, Gold	Brass, Gold
Contact Plating Specification	30 µin minimum	30 µin minimum
Dielectric Type	PTFE	PTFE
Body Material and Plating	Brass, Nickel	Brass, Nickel
Body Plating Specification	100 µin minimum	100 µin minimum
Coupling Nut Material and Plating		Brass, Nickel
Coupling Nut Plating Specification		100 µin minimum

Environmental Specifications

Temperature

Operating Range -40 to +85 deg C

Compliance Certifications (see [product page](#) for current document)

Plotted and Other Data

Notes:

Click the following link (or enter part number in "SEARCH" on website) to obtain additional part information including price, inventory and certifications: [TNC Female Bulkhead to BNC Male Right Angle Low Loss Cable Using LMR-100 Coax with HeatShrink, LF Solder in 200CM PE3W13046LF/HS-200CM](#)



TNC Female Bulkhead to BNC Male Right Angle Low Loss Cable
Using LMR-100 Coax with HeatShrink, LF Solder in 200CM

RF Cable Assemblies Technical Data Sheet

PE3W13046LF/HS-200CM

How to Order

Part Number Configuration:

PE3W13046LF/HS - xx uu

Unit of Measure:
cm = Centimeters
<blank> = Inches
Length
Base Number

Example: PE3W13046LF/HS-12 = 12 inches long cable
PE3W13046LF/HS-100cm = 100 cm long cable

TNC Female Bulkhead to BNC Male Right Angle Low Loss Cable Using LMR-100 Coax with HeatShrink, LF Solder in 200CM from Pasternack Enterprises has same day shipment for domestic and International orders. Our RF, microwave and millimeter wave products maintain a 99.4% availability and are part of the broadest selection in the industry.

Click the following link (or enter part number in "SEARCH" on website) to obtain additional part information including price, inventory and certifications: [TNC Female Bulkhead to BNC Male Right Angle Low Loss Cable Using LMR-100 Coax with HeatShrink, LF Solder in 200CM PE3W13046LF/HS-200CM](https://www.pasternack.com/tnc-female-bulkhead-to-bnc-male-right-angle-low-loss-cable-using-lmr-100-coax-with-heatshrink-lf-solder-in-200cm-pe3w13046lf/hs-200cm)

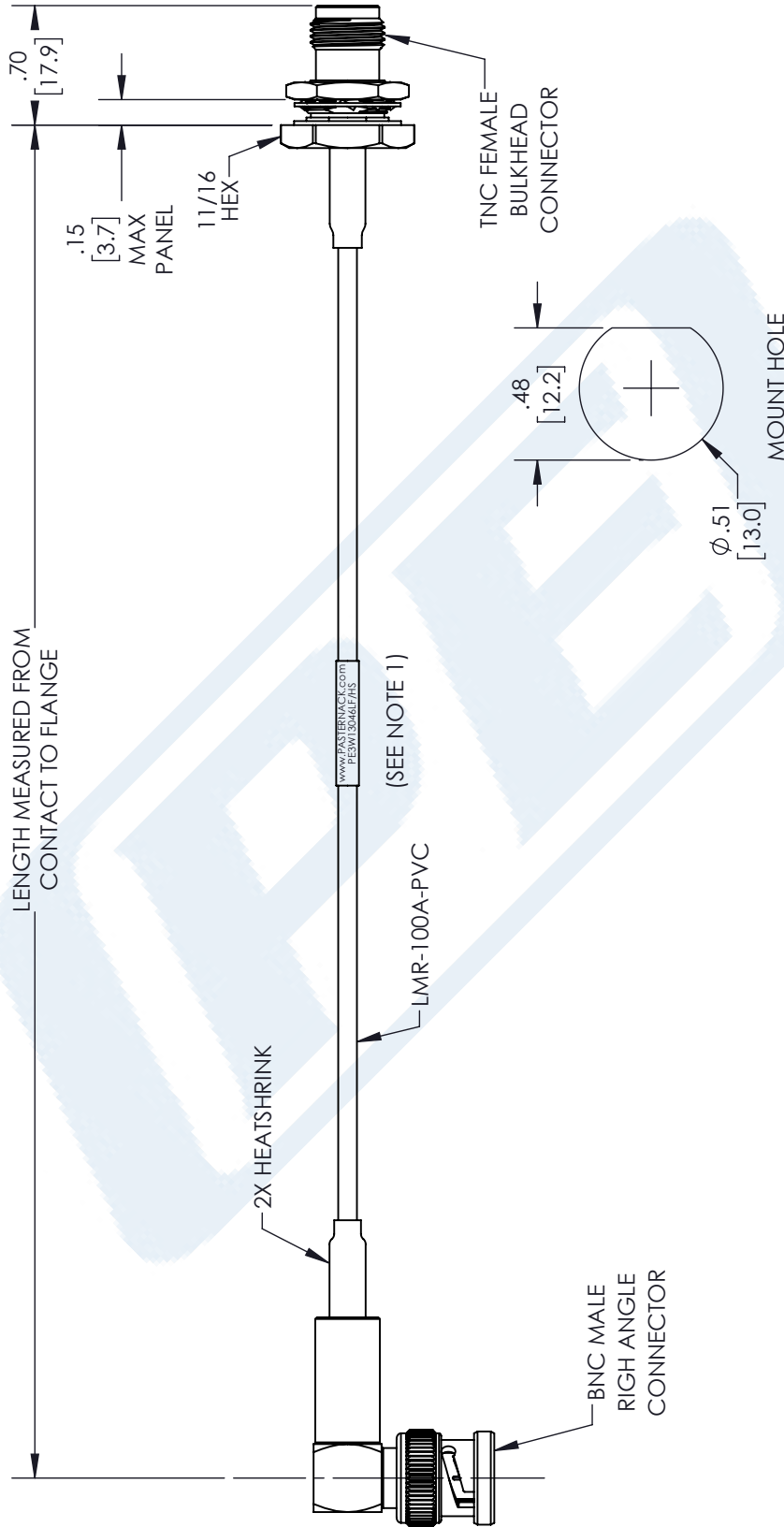
URL: <https://www.pasternack.com/tnc-female-bulkhead-to-bnc-male-low-loss-cable-using-lmr-100-with-heatshrink-lf-solder-pe3w13046lf-hs-200cm-p.aspx>

The information contained in this document is accurate to the best of our knowledge and representative of the part described herein. It may be necessary to make modifications to the part and/or the documentation of the part, in order to implement improvements. Pasternack reserves the right to make such changes as required. Unless otherwise stated, all specifications are nominal. Pasternack does not make any representation or warranty regarding the suitability of the part described herein for any particular purpose, and Pasternack does not assume any liability arising out of the use of any part or documentation.

PE3W13046LF/HS-200CM CAD Drawing

TNC Female Bulkhead to BNC Male Right Angle Low Loss Cable Using LMR-100 Coax with HeatShrink, LF Solder in 200CM

REVISIONS			
REV.	DESCRIPTION	DATE	APPROVED
A	INITIAL RELEASE	08/10/2022	AGANWANI



<p>UNLESS OTHERWISE SPECIFIED LEADING DIMENSIONS ARE INCHES DIMENSIONS IN [] ARE MILLIMETERS</p> <p>TOLERANCES:</p> <table style="font-size: small;"> <tr> <td>.X = ±.2</td> <td>[.008]</td> <td>FRACTIONS</td> <td>± 1/32</td> </tr> <tr> <td>.XX = ±.02</td> <td>[.51]</td> <td>ANGLES ± 1°</td> <td></td> </tr> <tr> <td>.XXX = ±.005</td> <td>[.13]</td> <td>CABLE LENGTH (L) TOLERANCES:</td> <td></td> </tr> <tr> <td colspan="4" style="font-size: x-small;"> L ≤ 12 [305] = +1 [25] / -0 12 [305] < L ≤ 60 [1524] = +2 [51] / -0 60 [1524] < L ≤ 120 [3048] = +4 [102] / -0 120 [3048] < L ≤ 300 [7620] = +6 [152] / -0 300 [7620] < L = +5% / -0 </td> </tr> </table> <p>ALL DIMENSIONS SHOWN ARE FOR REFERENCE ONLY.</p>	.X = ±.2	[.008]	FRACTIONS	± 1/32	.XX = ±.02	[.51]	ANGLES ± 1°		.XXX = ±.005	[.13]	CABLE LENGTH (L) TOLERANCES:		L ≤ 12 [305] = +1 [25] / -0 12 [305] < L ≤ 60 [1524] = +2 [51] / -0 60 [1524] < L ≤ 120 [3048] = +4 [102] / -0 120 [3048] < L ≤ 300 [7620] = +6 [152] / -0 300 [7620] < L = +5% / -0				<p style="text-align: center;">PE PASTERNAK an INFINITI brand</p> <p>Pasternack Enterprises, Inc. P. O. Box 16759, Irvine, CA 92623. Phone: 1.949.261.1920 1.866.727.8376 Fax: 1.949.261.7451 Website: www.pasternack.com E-mail: sales@pasternack.com</p>	<p>THIRD-ANGLE PROJECTION</p> <p>THE INFORMATION AND DESIGN IN THIS DOCUMENT IS THE PROPERTY OF PASTERNAK CORPORATION ALL RIGHTS RESERVED.</p> <p>SHEET 1 OF 1</p> <p>SCALE N/A</p>	<table border="1" style="width: 100%; border-collapse: collapse;"> <tr> <td>SIZE</td> <td>CAGE CODE</td> <td>DRAWN BY</td> <td>ITEM NO.</td> </tr> <tr> <td style="text-align: center;">A</td> <td style="text-align: center;">53919</td> <td style="text-align: center;">BPUCHASKI</td> <td style="text-align: center;">PE3W13046LF/HS</td> </tr> <tr> <td colspan="3"></td> <td style="text-align: center;">REV</td> </tr> <tr> <td colspan="3"></td> <td style="text-align: center;">A</td> </tr> </table>	SIZE	CAGE CODE	DRAWN BY	ITEM NO.	A	53919	BPUCHASKI	PE3W13046LF/HS				REV				A
.X = ±.2	[.008]	FRACTIONS	± 1/32																																
.XX = ±.02	[.51]	ANGLES ± 1°																																	
.XXX = ±.005	[.13]	CABLE LENGTH (L) TOLERANCES:																																	
L ≤ 12 [305] = +1 [25] / -0 12 [305] < L ≤ 60 [1524] = +2 [51] / -0 60 [1524] < L ≤ 120 [3048] = +4 [102] / -0 120 [3048] < L ≤ 300 [7620] = +6 [152] / -0 300 [7620] < L = +5% / -0																																			
SIZE	CAGE CODE	DRAWN BY	ITEM NO.																																
A	53919	BPUCHASKI	PE3W13046LF/HS																																
			REV																																
			A																																

NOTES:

- CABLES 36" AND UNDER HAVE 1 LABEL CENTERED. CABLES OVER 36" HAVE 2 LABELS, ONE AT EACH END 6.0" FROM END OF CONNECTOR

THESE COMMODITIES, TECHNOLOGY OR SOFTWARE WERE EXPORTED FROM THE UNITED STATES IN ACCORDANCE WITH THE EXPORT ADMINISTRATION REGULATIONS. DIVERSION CONTRARY TO U.S. LAW PROHIBITED.