



SMA Male to N Female Bulkhead Cable Using LMR-400-UF Coax with HeatShrink, LF Solder

RF Cable Assemblies Technical Data Sheet

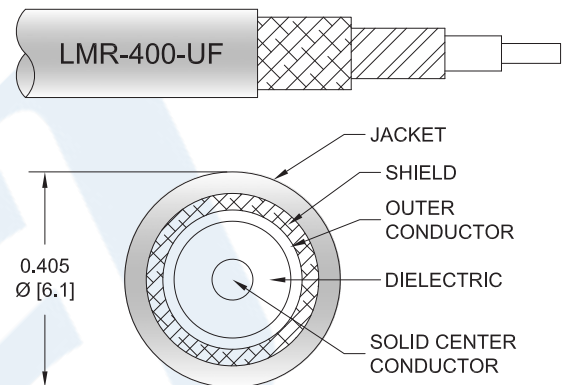
PE3W05629LF/HS

Configuration

- Connector 1: SMA Male
- Connector 2: N Female Bulkhead
- Cable Type: LMR-400-UF

Features

- Max Frequency 3 GHz
- Shielding Effectivity > 90 dB
- 85% Phase Velocity
- Double Shielded
- TPE Jacket



Applications

- General Purpose
- Laboratory Use

Description

Pasternack's PE3W05629LF/HS SMA male to type N female bulkhead cable using LMR-400-UF coax is part of our full line of RF components available for same-day shipping. Pasternack's flexible RF cable assemblies are ideal for applications where tight bends and flexure are required. This Pasternack SMA to type N cable assembly has a male to female gender configuration with 50 ohm flexible LMR-400-UF coax. The PE3W05629LF/HS SMA male to type N female cable assembly operates to 3 GHz. Our RF cable assembly with type N bulkhead interface allows designers to create external connections on their product enclosures, and can be used in a variety of other rack mount and panel mount applications. The double shielding of this Pasternack cable assembly provides excellent shielding effectiveness of better than 90 dB.

Custom versions of most RF cable assemblies can be built and shipped same day. Custom cable assembly lengths can be obtained by specifying the desired length on the web site at time of order or by contacting a sales representative. Other available RF cable assembly value added services include connector orientation or clocking, heat shrink booting and custom labeling. RF testing can also be performed to document the electrical performance of your cable assembly.

Click the following link (or enter part number in "SEARCH" on website) to obtain additional part information including price, inventory and certifications: [SMA Male to N Female Bulkhead Cable Using LMR-400-UF Coax with HeatShrink, LF Solder PE3W05629LF/HS](#)



SMA Male to N Female Bulkhead Cable Using LMR-400-UF Coax with HeatShrink, LF Solder

RF Cable Assemblies Technical Data Sheet

PE3W05629LF/HS

Electrical Specifications

Description	Minimum	Typical	Maximum	Units
Frequency Range	DC		3	GHz
VSWR			1.5:1	
Velocity of Propagation		85		%
RF Shielding	90			dB
Group Delay		1.2 [3.94]		ns/ft [ns/m]
Capacitance		23.9 [78.41]		pF/ft [pF/m]
Inductance		0.06 [0.2]		uH/ft [uH/m]
DC Resistance Inner Conductor		1.07 [3.51]		Ω /1000ft [Ω /Km]
DC Resistance Outer Conductor		1.65 [5.41]		Ω /1000ft [Ω /Km]
Jacket Spark			8,000	Vrms

Specifications by Frequency

Description	F1	F2	F3	F4	F5	Units
Frequency	0.25	0.5	1	2.5	3	GHz
Insertion Loss (Max.)	0.02	0.03	0.04	0.08	0.09	dB/ft
	0.07	0.1	0.13	0.26	0.3	dB/m

Electrical Specification Notes:

Insertion Loss does not include the loss of connectors. Insertion Loss is estimated as 0.2dB of connector loss

Mechanical Specifications

Cable Assembly

Diameter 0.87 in [22.1 mm]

Cable

Cable Type LMR-400-UF
 Impedance 50 Ohms
 Inner Conductor Type Stranded
 Inner Conductor Material and Plating Copper
 Dielectric Type PE (F)
 Number of Shields 2
 Shield Layer 1 Aluminum Tape
 Shield Layer 2 Tinned Copper Braid
 Jacket Material TPE, Black
 Jacket Diameter 0.405 in [10.29 mm]

Click the following link (or enter part number in "SEARCH" on website) to obtain additional part information including price, inventory and certifications: [SMA Male to N Female Bulkhead Cable Using LMR-400-UF Coax with HeatShrink, LF Solder PE3W05629LF/HS](#)



SMA Male to N Female Bulkhead Cable Using LMR-400-UF Coax with HeatShrink, LF Solder

RF Cable Assemblies Technical Data Sheet

PE3W05629LF/HS

One Time Minimum Bend Radius	1 in [25.4 mm]
Repeated Minimum Bend Radius	4 in [101.6 mm]
Bending Moment	0.38 lbs-ft [0.52 N-m]
Flat Plate Crush	20 lbs/in [0.36 Kg/mm]
Tensile Strength	160 lbs [72.57 Kg]

Connectors

Description	Connector 1	Connector 2
Type	SMA Male	N Female Bulkhead
Specification		MIL-STD-348A
Impedance	50 Ohms	50 Ohms
Mating Cycles		500
Contact Material and Plating	Brass, Gold	Brass, Gold
Contact Plating Specification		30 μin minimum
Dielectric Type	PTFE	PTFE
Body Material and Plating	Brass, Gold	Brass, Tri-Metal
Coupling Nut Material and Plating	Brass, Gold	
Hex Size	5/16 inch	
Torque	3 in-lbs [0.34 Nm]	

Mechanical Specification Notes:

*All cable assemblies have a length tolerance of 1.5% or ± 3/8", whichever is greater.

Environmental Specifications

Temperature

Operating Range -40 to +85 deg C

Compliance Certifications (see [product page](#) for current document)

Plotted and Other Data

Notes:

Click the following link (or enter part number in "SEARCH" on website) to obtain additional part information including price, inventory and certifications: [SMA Male to N Female Bulkhead Cable Using LMR-400-UF Coax with HeatShrink, LF Solder PE3W05629LF/HS](#)



SMA Male to N Female Bulkhead Cable Using LMR-400-UF Coax with HeatShrink, LF Solder

RF Cable Assemblies Technical Data Sheet

PE3W05629LF/HS

How to Order

Part Number Configuration:

PE3W05629LF/HS - xx

uu

Unit of Measure:
cm = Centimeters
<blank> = Inches
Length
Base Number

Example: PE3W05629LF/HS-12 = 12 inches long cable
PE3W05629LF/HS-100cm = 100 cm long cable

SMA Male to N Female Bulkhead Cable Using LMR-400-UF Coax with HeatShrink, LF Solder from Pasternack Enterprises has same day shipment for domestic and International orders. Our RF, microwave and millimeter wave products maintain a 99.4% availability and are part of the broadest selection in the industry.

Click the following link (or enter part number in "SEARCH" on website) to obtain additional part information including price, inventory and certifications: [SMA Male to N Female Bulkhead Cable Using LMR-400-UF Coax with HeatShrink, LF Solder PE3W05629LF/HS](https://www.pasternack.com/sma-male-n-female-lmr400uf-cable-assembly-pe3w05629lf-hs-p.aspx)

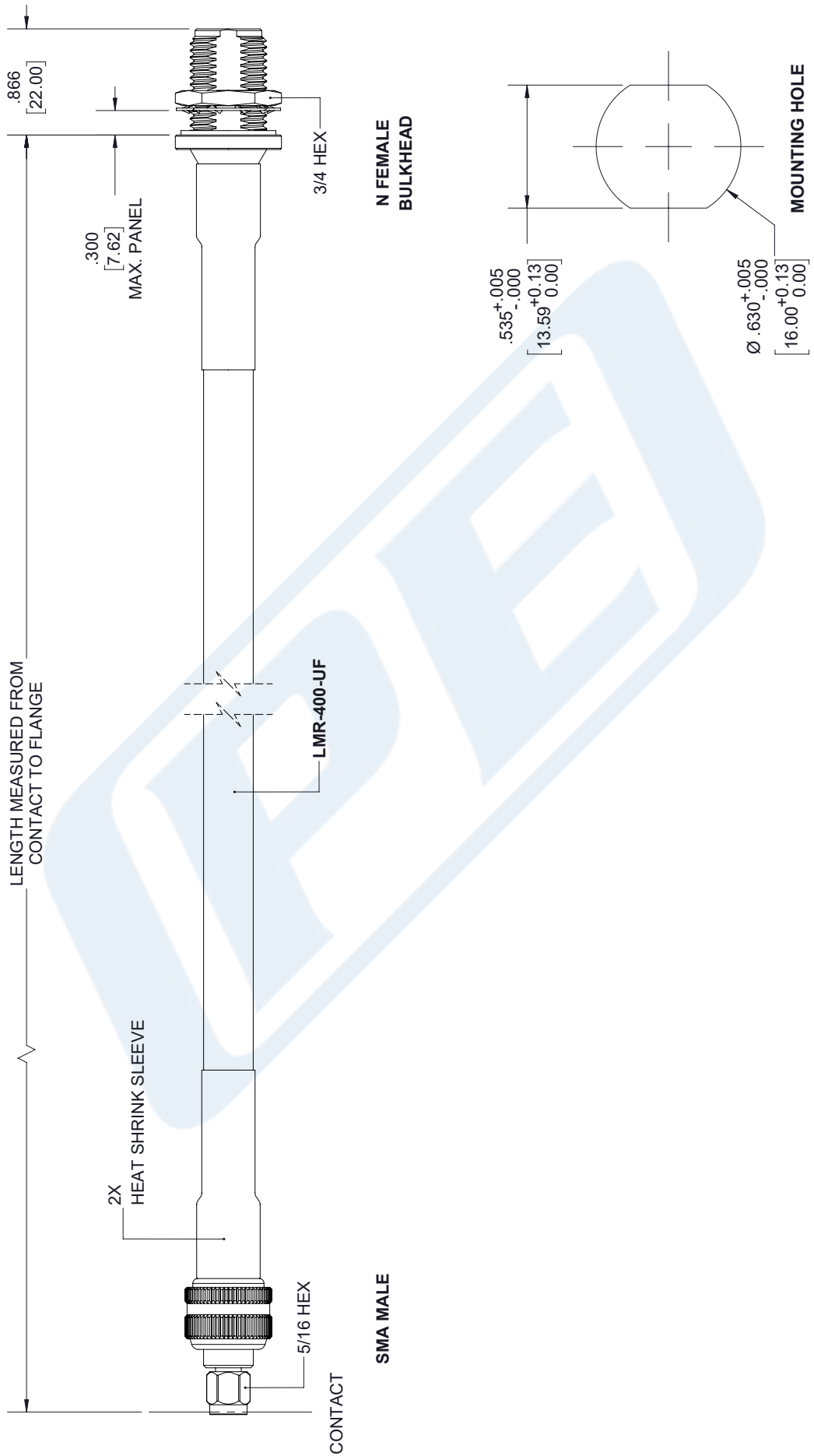
URL: <https://www.pasternack.com/sma-male-n-female-lmr400uf-cable-assembly-pe3w05629lf-hs-p.aspx>

The information contained in this document is accurate to the best of our knowledge and representative of the part described herein. It may be necessary to make modifications to the part and/or the documentation of the part, in order to implement improvements. Pasternack reserves the right to make such changes as required. Unless otherwise stated, all specifications are nominal. Pasternack does not make any representation or warranty regarding the suitability of the part described herein for any particular purpose, and Pasternack does not assume any liability arising out of the use of any part or documentation.

PE3W05629LF/HS CAD Drawing

SMA Male to N Female Bulkhead Cable Using LMR-400-UF Coax with HeatShrink, LF Solder

REVISIONS		
REV.	DESCRIPTION	DATE
A	INITIAL RELEASE	04/30/19
		APPROVED S. ELLIS



 PASTERNAK an INFINITO brand		THE INFORMATION AND DESIGN IN THIS DOCUMENT IS THE PROPERTY OF PASTERNAK CORPORATION. ALL RIGHTS RESERVED.	
Pasternack Enterprises, Inc. P.O. Box 16759, Irvine, CA 92623. Phone: 1.949.261.1920 1.866.727.8376 Fax: 1.949.261.7451 www.pasternack.com e-mail: sales@pasternack.com		SHEET 1 OF 1 SCALE N/A	REV A
UNLESS OTHERWISE SPECIFIED LEADING DIMENSIONS ARE INCHES DIMENSIONS IN [] ARE MILLIMETERS	TOLERANCES: X±.2 [5.08] .XX±.01 [.25] .XXX±.005 [.13]	FRACTIONS ±.132 ANGLES ± 1°	ALL DIMENSIONS SHOWN ARE FOR REFERENCE ONLY. THIRD-ANGLE PROJECTION
THESE COMMODITIES, TECHNOLOGY OR SOFTWARE WERE EXPORTED FROM THE UNITED STATES IN ACCORDANCE WITH THE EXPORT ADMINISTRATION REGULATIONS. DIVERSION CONTRARY TO U.S. LAW PROHIBITED.	SIZE A CAGE 53919 DRAWN BY K.DANG	PART NUMBER PE3W05629LF/HS	REV A