



TNC Female Bulkhead to MMCX Plug Right Angle Cable Using RG316 Coax

RF Cable Assemblies Technical Data Sheet

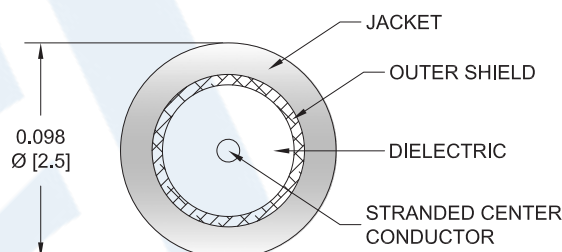
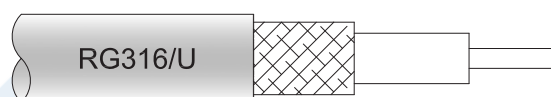
PE3W04293

Configuration

- Connector 1: TNC Female Bulkhead
- Connector 2: MMCX Plug Right Angle
- Cable Type: RG316

Features

- Max Frequency 3 GHz
- 69% Phase Velocity
- FEP Jacket



Applications

- General Purpose
- Laboratory Use

Description

Pasternack's PE3W04293 TNC female bulkhead to MMCX plug right angle cable using RG316 coax is part of our full line of RF components available for same-day shipping. Pasternack's flexible RF cable assemblies are ideal for applications where tight bends and flexure are required. This Pasternack TNC to MMCX cable assembly has a female to plug gender configuration with 50 ohm flexible RG316 coax. The PE3W04293 TNC female to MMCX plug cable assembly operates to 3 GHz. The right angle MMCX interface on the RG316 cable allows for easier connections in tight spaces. Our RF cable assembly with TNC bulkhead interface allows designers to create external connections on their product enclosures, and can be used in a variety of other rack mount and panel mount applications.

Custom versions of most RF cable assemblies can be built and shipped same day. Custom cable assembly lengths can be obtained by specifying the desired length on the web site at time of order or by contacting a sales representative. Other available RF cable assembly value added services include connector orientation or clocking, heat shrink booting and custom labeling. RF testing can also be performed to document the electrical performance of your cable assembly.

Electrical Specifications

Description	Minimum	Typical	Maximum	Units
Frequency Range	DC		3	GHz
VSWR			1.5:1	
Velocity of Propagation		69		%
Jacket Spark			2,000	Vrms

Click the following link (or enter part number in "SEARCH" on website) to obtain additional part information including price, inventory and certifications: [TNC Female Bulkhead to MMCX Plug Right Angle Cable Using RG316 Coax PE3W04293](#)



TNC Female Bulkhead to MMCX Plug Right Angle Cable Using RG316 Coax

RF Cable Assemblies Technical Data Sheet

PE3W04293

Specifications by Frequency

Description	F1	F2	F3	F4	F5	Units
Frequency	0.25	0.5	1	2.5	3	GHz
Insertion Loss (Max.)	0.13	0.17	0.38	0.5	0.6	dB/ft
	0.43	0.56	1.25	1.64	1.97	dB/m

Electrical Specification Notes:

Insertion Loss does not include the loss of connectors. Insertion Loss is estimated as 0.3dB of connector loss

Mechanical Specifications

Cable Assembly

Diameter 0.68 in [17.27 mm]

Cable

Cable Type RG316
 Impedance 50 Ohms
 Inner Conductor Type Stranded
 Inner Conductor Material and Plating Copper Clad Steel, Silver
 Dielectric Type PTFE
 Number of Shields 1
 Shield Layer 1 Silver Plated Copper Braid
 Jacket Material FEP, Tan
 Jacket Diameter 0.098 in [2.49 mm]

Connectors

Description	Connector 1	Connector 2
Type	TNC Female Bulkhead	MMCX Plug Right Angle
Specification	MIL-STD-348	BS EN 122340
Impedance	50 Ohms	50 Ohms
Contact Material and Plating	Phosphor Bronze, Gold	Brass, Gold
Contact Plating Specification		30 μ m minimum
Dielectric Type	PTFE	PTFE
Body Material and Plating	Brass, Nickel	Brass, Gold
Body Plating Specification		3 μ m minimum

Mechanical Specification Notes:

*All cable assemblies have a length tolerance of 1.5% or $\pm 3/8$ ", whichever is greater.

Click the following link (or enter part number in "SEARCH" on website) to obtain additional part information including price, inventory and certifications: [TNC Female Bulkhead to MMCX Plug Right Angle Cable Using RG316 Coax PE3W04293](#)



TNC Female Bulkhead to MMCX Plug
Right Angle Cable Using RG316 Coax

RF Cable Assemblies Technical Data Sheet

PE3W04293

Environmental Specifications

Temperature

Operating Range

-55 to +155 deg C

Compliance Certifications (see [product page](#) for current document)

Plotted and Other Data

Notes:

How to Order

Part Number Configuration:

PE3W04293

- **xx**

uu

Unit of Measure:
cm = Centimeters
<blank> = Inches
Length
Base Number

Example: PE3W04293-12 = 12 inches long cable
PE3W04293-100cm = 100 cm long cable

TNC Female Bulkhead to MMCX Plug Right Angle Cable Using RG316 Coax from Pasternack Enterprises has same day shipment for domestic and International orders. Our RF, microwave and millimeter wave products maintain a 99.4% availability and are part of the broadest selection in the industry.

Click the following link (or enter part number in "SEARCH" on website) to obtain additional part information including price, inventory and certifications: [TNC Female Bulkhead to MMCX Plug Right Angle Cable Using RG316 Coax PE3W04293](#)

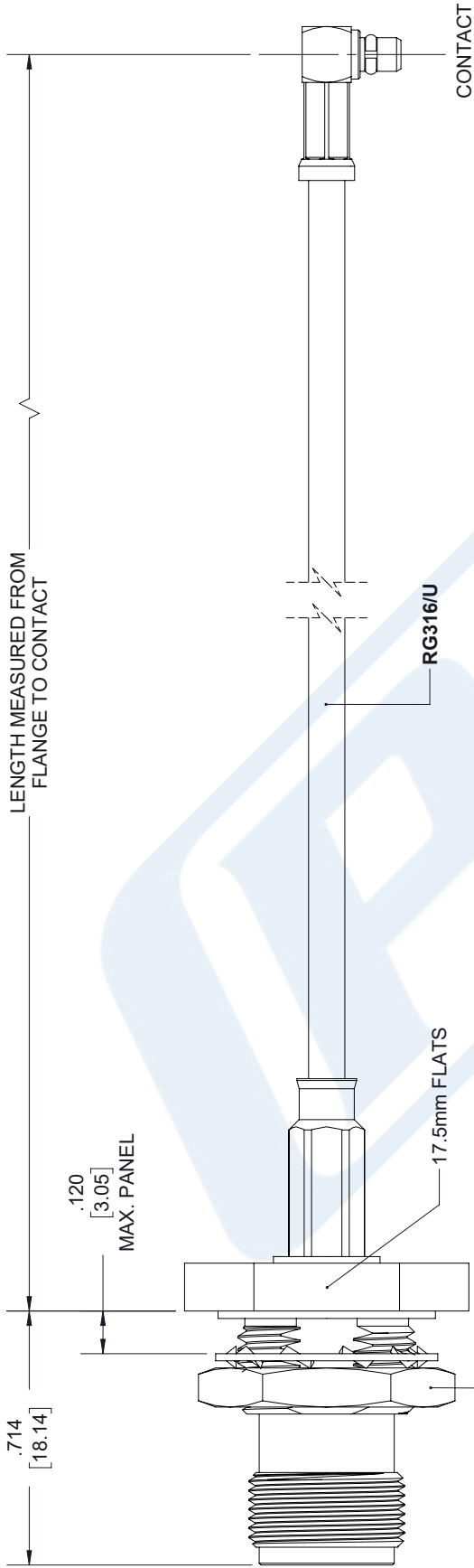
URL: <https://www.pasternack.com/tnc-female-mmcx-plug-rg316u-cable-assembly-pe3w04293-p.aspx>

The information contained in this document is accurate to the best of our knowledge and representative of the part described herein. It may be necessary to make modifications to the part and/or the documentation of the part, in order to implement improvements. Pasternack reserves the right to make such changes as required. Unless otherwise stated, all specifications are nominal. Pasternack does not make any representation or warranty regarding the suitability of the part described herein for any particular purpose, and Pasternack does not assume any liability arising out of the use of any part or documentation.

PE3W04293 CAD Drawing

TNC Female Bulkhead to MMCX Plug Right Angle Cable Using RG316 Coax

REVISIONS			
REV.	DESCRIPTION	DATE	APPROVED
A	INITIAL RELEASE	04/23/19	S. ELLIS



TNC FEMALE
BULKHEAD

MMCX PLUG
RA

RG316/U

CONTACT

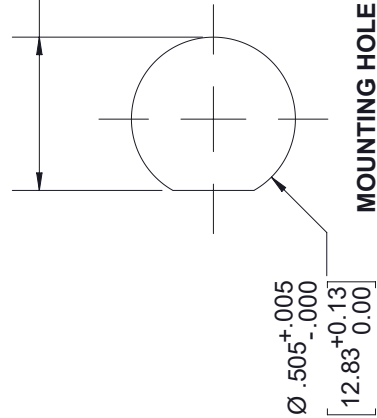
LENGTH MEASURED FROM
FLANGE TO CONTACT

.120
[3.05]
MAX. PANEL

17.5mm FLATS

16mm HEX

.472^{+0.005}
-0.000
[11.99^{+0.13}
0.00]



MOUNTING HOLE

Ø .505^{+0.005}
-0.000
[12.83^{+0.13}
0.00]

UNLESS OTHERWISE SPECIFIED
LEADING DIMENSIONS ARE INCHES
DIMENSIONS IN [] ARE MILLIMETERS

TOLERANCES:
X±.2 [5.08] FRACTIONS
.XX±.01 [.25] ±.132
.XXX±.005 [.13] ANGLES ± 1°

ALL DIMENSIONS SHOWN
ARE FOR REFERENCE ONLY.

THIRD-ANGLE PROJECTION



Pasternack Enterprises, Inc.
P.O. Box 16759, Irvine, CA 92623.
Phone: 1.949.261.1920 | 1.866.727.8376
Fax: 1.949.261.7451
www.pasternack.com | e-mail: sales@pasternack.com

THE INFORMATION AND
DESIGN IN THIS DOCUMENT
IS THE PROPERTY OF
PASTERNAK CORPORATION.
ALL RIGHTS RESERVED.

SHEET 1 OF 1
SCALE N/A

SIZE	CAGE	DRAWN BY	PART NUMBER	REV
A	53919	K.DANG	PE3W04293	A

THESE COMMODITIES, TECHNOLOGY OR SOFTWARE WERE EXPORTED FROM THE UNITED STATES IN ACCORDANCE WITH THE EXPORT ADMINISTRATION REGULATIONS. DIVERSION CONTRARY TO U.S. LAW PROHIBITED.