



N Female Bulkhead to N Male Right Angle  
Cable Using PE-SR402FLJ Coax

RF Cable Assemblies Technical Data Sheet

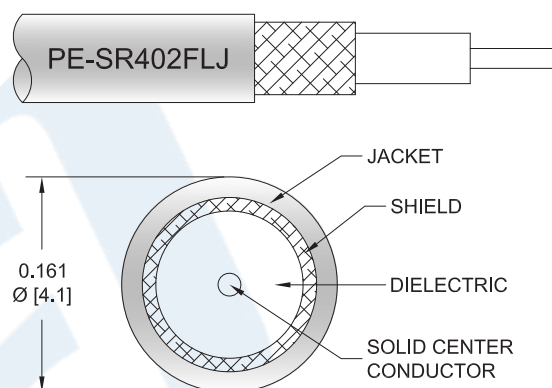
PE3W03365

**Configuration**

- Connector 1: N Female Bulkhead
- Connector 2: N Male Right Angle
- Cable Type: PE-SR402FLJ

**Features**

- Shielding Effectivity > 100 dB
- 70% Phase Velocity
- FEP Jacket



**Applications**

- General Purpose
- Laboratory Use

**Description**

Pasternack's PE3W03365 type N female bulkhead to type N male right angle cable using PE-SR402FLJ coax is part of our full line of RF components available for same-day shipping. Pasternack's formable RF cable assemblies provide an alternative to costly pre-formed semi-rigid assemblies since they are hand formable. This Pasternack type N to type N cable assembly has a female to male gender configuration with 50 ohm formable PE-SR402FLJ coax. The right angle type N interface on the PE-SR402FLJ cable allows for easier connections in tight spaces. Our RF cable assembly with type N bulkhead interface allows designers to create external connections on their product enclosures, and can be used in a variety of other rack mount and panel mount applications.

Custom versions of most RF cable assemblies can be built and shipped same day. Custom cable assembly lengths can be obtained by specifying the desired length on the web site at time of order or by contacting a sales representative. Other available RF cable assembly value added services include connector orientation or clocking, heat shrink booting and custom labeling. RF testing can also be performed to document the electrical performance of your cable assembly.

**Electrical Specifications**

Description	Minimum	Typical	Maximum	Units
Velocity of Propagation		70		%
RF Shielding	100			dB
Group Delay		1.43 [4.69]		ns/ft [ns/m]
Capacitance		29 [95.14]		pF/ft [pF/m]

Click the following link (or enter part number in "SEARCH" on website) to obtain additional part information including price, inventory and certifications: [N Female Bulkhead to N Male Right Angle Cable Using PE-SR402FLJ Coax PE3W03365](#)



N Female Bulkhead to N Male Right Angle  
Cable Using PE-SR402FLJ Coax

RF Cable Assemblies Technical Data Sheet

PE3W03365

**Mechanical Specifications**

**Cable Assembly**

**Cable**

Cable Type	PE-SR402FLJ
Impedance	50 Ohms
Inner Conductor Type	Solid
Inner Conductor Material and Plating	Copper Clad Steel, Silver
Dielectric Type	PTFE
Number of Shields	1
Shield Layer 1	Tinned Copper Braid
Jacket Material	FEP, Black
Jacket Diameter	0.161 in [4.09 mm]
One Time Minimum Bend Radius	0.315 in [8 mm]
Repeated Minimum Bend Radius	1.575 in [40.01 mm]

**Connectors**

Description	Connector 1	Connector 2
Type	N Female Bulkhead	N Male Right Angle
Impedance	50 Ohms	50 Ohms
Contact Material and Plating		Brass, Gold over Nickel
Dielectric Type		PTFE
Body Material and Plating	Brass, Nickel	Brass, Nickel
Coupling Nut Material and Plating		Brass, Nickel

Mechanical Specification Notes:

\*All cable assemblies have a length tolerance of 1.5% or  $\pm 3/8$ ", whichever is greater.

**Compliance Certifications** (see [product page](#) for current document)

**Plotted and Other Data**

Notes:

Click the following link (or enter part number in "SEARCH" on website) to obtain additional part information including price, inventory and certifications: [N Female Bulkhead to N Male Right Angle Cable Using PE-SR402FLJ Coax PE3W03365](#)



N Female Bulkhead to N Male Right Angle  
Cable Using PE-SR402FLJ Coax

RF Cable Assemblies Technical Data Sheet

PE3W03365

**How to Order**

Part Number Configuration:

**PE3W03365**

- **xx**

**uu**

Unit of Measure:  
cm = Centimeters  
<blank> = Inches  
Length  
Base Number

Example: PE3W03365-12 = 12 inches long cable  
PE3W03365-100cm = 100 cm long cable

N Female Bulkhead to N Male Right Angle Cable Using PE-SR402FLJ Coax from Pasternack Enterprises has same day shipment for domestic and International orders. Our RF, microwave and millimeter wave products maintain a 99.4% availability and are part of the broadest selection in the industry.

Click the following link (or enter part number in "SEARCH" on website) to obtain additional part information including price, inventory and certifications: [N Female Bulkhead to N Male Right Angle Cable Using PE-SR402FLJ Coax PE3W03365](#)

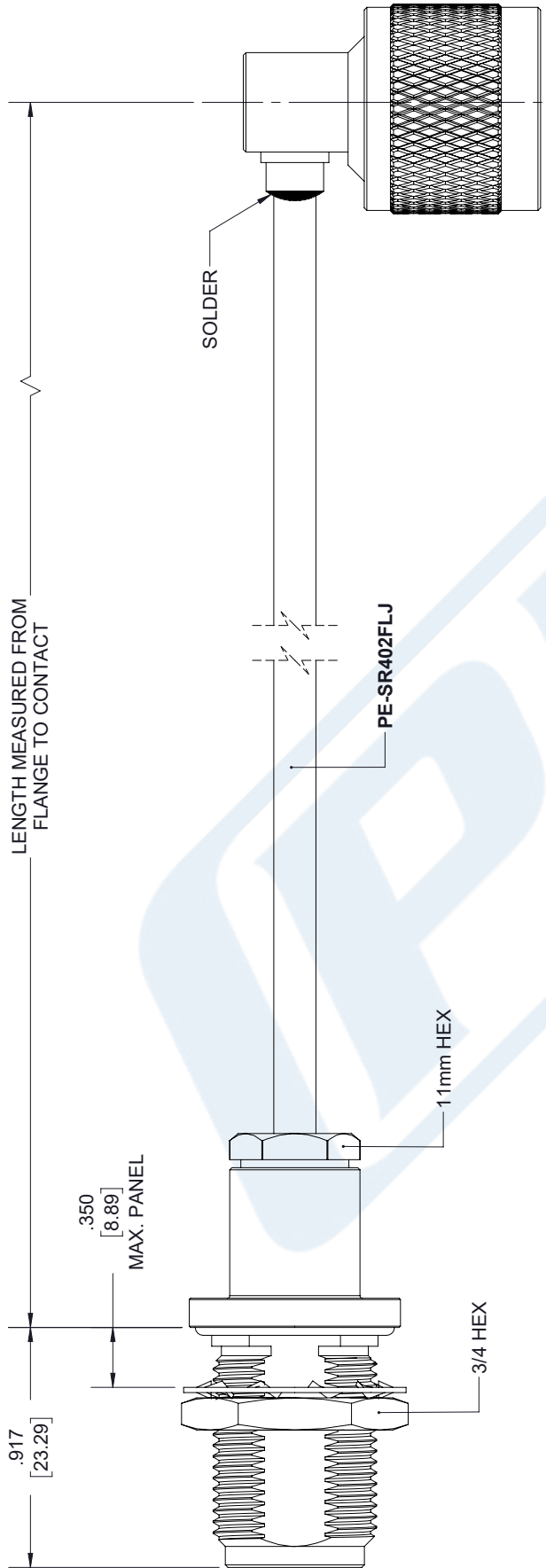
URL: <https://www.pasternack.com/n-female-n-male-pe-sr402flj-cable-assembly-pe3w03365-p.aspx>

The information contained in this document is accurate to the best of our knowledge and representative of the part described herein. It may be necessary to make modifications to the part and/or the documentation of the part, in order to implement improvements. Pasternack reserves the right to make such changes as required. Unless otherwise stated, all specifications are nominal. Pasternack does not make any representation or warranty regarding the suitability of the part described herein for any particular purpose, and Pasternack does not assume any liability arising out of the use of any part or documentation.

# PE3W03365 CAD Drawing

N Female Bulkhead to N Male Right Angle Cable Using PE-SR402FLJ Coax

REVISIONS			
REV.	DESCRIPTION	DATE	APPROVED
A	INITIAL RELEASE	04/23/19	S. ELLIS



CONTACT  
N MALE  
RA

PE-SR402FLJ

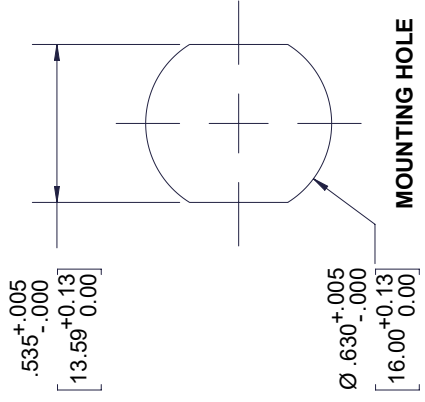
11mm HEX

3/4 HEX

LENGTH MEASURED FROM  
FLANGE TO CONTACT

.350  
[8.89]  
MAX. PANEL

.917  
[23.29]



MOUNTING HOLE

.535<sup>+0.005</sup><sub>-.000</sub>  
[13.59<sup>+0.13</sup><sub>0.00</sub>]

Ø .630<sup>+0.005</sup><sub>-.000</sub>  
[16.00<sup>+0.13</sup><sub>0.00</sub>]

UNLESS OTHERWISE SPECIFIED  
LEADING DIMENSIONS ARE INCHES  
DIMENSIONS IN [ ] ARE MILLIMETERS

TOLERANCES:  
X±.2 [5.08]  
.XX±.01 [ .25]  
.XXX±.005 [ .13]

FRACTIONS  
±.132  
ANGLES ± 1°

ALL DIMENSIONS SHOWN  
ARE FOR REFERENCE ONLY.

THIRD-ANGLE PROJECTION

**PE PASTERNAK**  
an INFINITO brand

Pasternack Enterprises, Inc.  
P.O. Box 16759, Irvine, CA 92623.  
Phone: 1.949.261.1920 | 1.866.727.8376  
Fax: 1.949.261.7451  
www.pasternack.com | e-mail: sales@pasternack.com

SIZE A CAGE 53919 DRAWN BY K.DANG PART NUMBER PE3W03365 REV A

THE INFORMATION AND  
DESIGN IN THIS DOCUMENT  
IS THE PROPERTY OF  
PASTERNAK CORPORATION.  
ALL RIGHTS RESERVED.

SHEET 1 OF 1  
SCALE N/A

THESE COMMODITIES, TECHNOLOGY OR SOFTWARE WERE EXPORTED FROM THE UNITED STATES IN ACCORDANCE WITH THE EXPORT ADMINISTRATION REGULATIONS. DIVERSION CONTRARY TO U.S. LAW PROHIBITED.