



BNC Male to BNC Female Bulkhead Cable Using RG188 Coax

RF Cable Assemblies Technical Data Sheet

PE3C3399

Configuration

- Connector 1: BNC Male
- Connector 2: BNC Female Bulkhead
- Cable Type: RG188

Electrical Specifications

Description	Minimum	Typical	Maximum	Units
Frequency Range	DC		3	GHz
VSWR			1.4:1	

Specifications by Frequency

Description	F1	F2	F3	F4	F5	Units
Frequency	0.1	0.25	0.5	1	3	GHz
Insertion Loss (Max.)	1.05	1.13				dB/ft
	3.44	3.71				dB/m
Insertion Loss (Typ.)	0.25	0.325				dB/ft
	0.82	1.07				dB/m
VSWR (Max.)	1.4:1	1.4:1	1.4:1	1.4:1		
Return Loss (Max.)	15.56	15.563	15.563	15.563		dB

Mechanical Specifications

Cable Assembly

Diameter 0.689 in [17.5 mm]

Cable

Cable Type RG188
 Impedance 50 Ohms
 Inner Conductor Type Stranded
 Inner Conductor Material and Plating Copper Clad Steel, Silver
 Dielectric Type PTFE
 Number of Shields 1
 Shield Layer 1 Silver Plated Copper Braid

Click the following link (or enter part number in "SEARCH" on website) to obtain additional part information including price, inventory and certifications: [BNC Male to BNC Female Bulkhead Cable Using RG188 Coax PE3C3399](#)



BNC Male to BNC Female Bulkhead Cable Using RG188 Coax

RF Cable Assemblies Technical Data Sheet

PE3C3399

Jacket Material PTFE, White
Jacket Diameter 0.11 in [2.79 mm]

Connectors

Description	Connector 1	Connector 2
Type	BNC Male	BNC Female Bulkhead
Specification	MIL-STD-348A	
Impedance	50 Ohms	50 Ohms
Contact Material and Plating	Brass, Gold	Brass, Gold
Contact Plating Specification	50µ in. minimum	30 µin minimum
Dielectric Type	Teflon	PTFE
Body Material and Plating	Brass, Nickel	Brass, Nickel
Body Plating Specification	100µ in. minimum	100 µin minimum
Coupling Nut Material and Plating	Brass, Nickel	
Coupling Nut Plating Specification	100µ in. minimum	

Mechanical Specification Notes:

*All cable assemblies have a length tolerance of 1.5% or $\pm 3/8"$, whichever is greater.

Compliance Certifications (see [product page](#) for current document)

Plotted and Other Data

Notes:

- Values at 25°C, sea level.

Click the following link (or enter part number in "SEARCH" on website) to obtain additional part information including price, inventory and certifications: [BNC Male to BNC Female Bulkhead Cable Using RG188 Coax PE3C3399](#)



BNC Male to BNC Female Bulkhead Cable Using RG188 Coax

RF Cable Assemblies Technical Data Sheet

PE3C3399

How to Order

Part Number Configuration:

PE3C3399

- **xx**

uu

Unit of Measure:

cm = Centimeters

<blank> = Inches

Length

Base Number

Example: PE3C3399-12 = 12 inches long cable
PE3C3399-100cm = 100 cm long cable

BNC Male to BNC Female Bulkhead Cable Using RG188 Coax from Pasternack Enterprises has same day shipment for domestic and International orders. Our RF, microwave and millimeter wave products maintain a 99.4% availability and are part of the broadest selection in the industry.

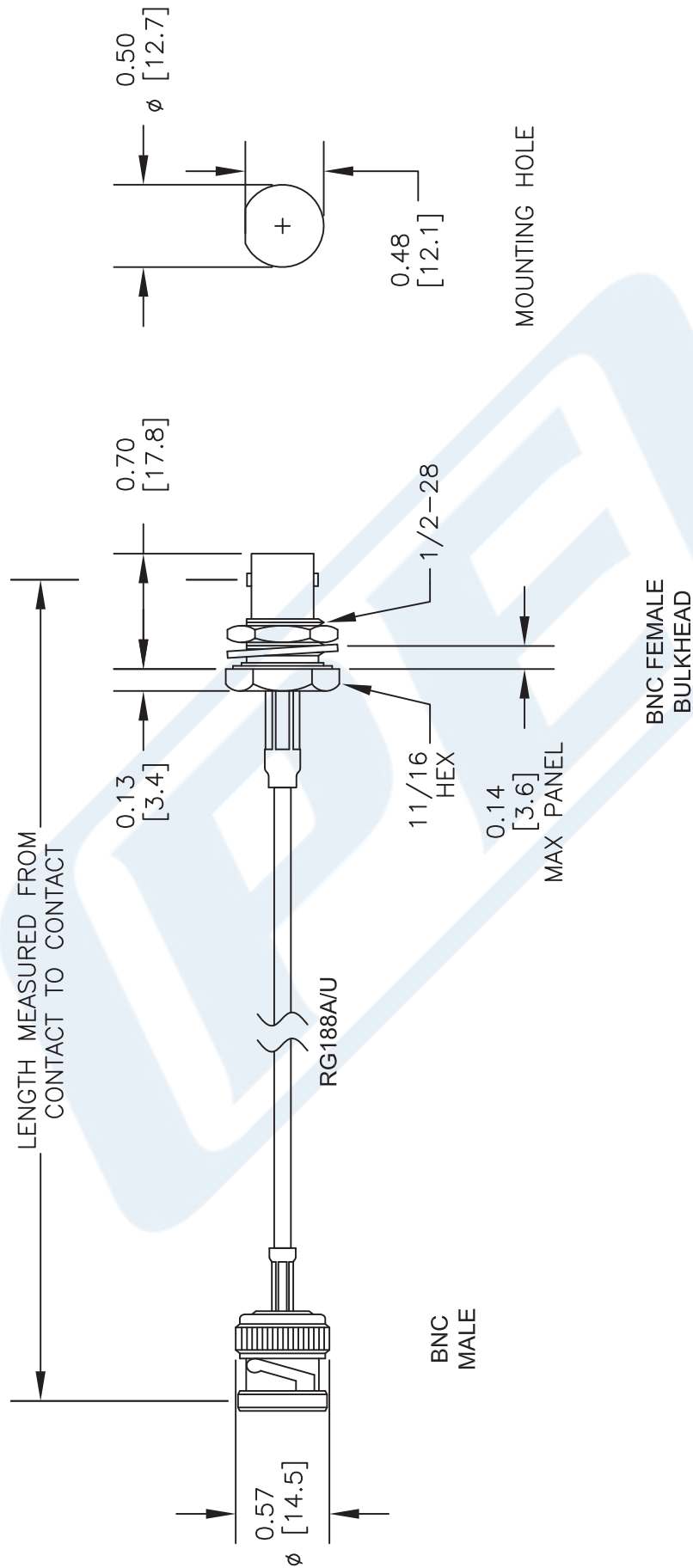
Click the following link (or enter part number in "SEARCH" on website) to obtain additional part information including price, inventory and certifications: [BNC Male to BNC Female Bulkhead Cable Using RG188 Coax PE3C3399](https://www.pasternack.com/bnc-male-bnc-female-rg188au-cable-assembly-pe3c3399-p.aspx)

URL: <https://www.pasternack.com/bnc-male-bnc-female-rg188au-cable-assembly-pe3c3399-p.aspx>

The information contained in this document is accurate to the best of our knowledge and representative of the part described herein. It may be necessary to make modifications to the part and/or the documentation of the part, in order to implement improvements. Pasternack reserves the right to make such changes as required. Unless otherwise stated, all specifications are nominal. Pasternack does not make any representation or warranty regarding the suitability of the part described herein for any particular purpose, and Pasternack does not assume any liability arising out of the use of any part or documentation.

PE3C3399 CAD Drawing

BNC Male to BNC Female Bulkhead Cable Using RG188 Coax



DWG TITLE

PE3C3399

- NOTES:
1. UNLESS OTHERWISE SPECIFIED ALL DIMENSIONS ARE NOMINAL.
 2. ALL SPECIFICATIONS ARE SUBJECT TO CHANGE WITHOUT NOTICE AT ANY TIME.
 3. DIMENSIONS ARE IN INCHES [mm].
 4. LENGTH TOLERANCE IS $\pm 1.5\%$ OR $3/8"$, WHICHEVER IS GREATER.

FSCM NO. 53919

CAD FILE 102416

SCALE N/A

SIZE A

2233

PE PASTERNAK
THE ENGINEER'S RF SOURCE

Pasternack Enterprises, Inc.
P.O. Box 16759 | Irvine | CA | 92623
Phone: (949) 261-1920 | Fax: (949) 261-7451
Website: www.pasternack.com | E-Mail: sales@pasternack.com