



SMB Jack Bulkhead to BNC Male Cable Using RG316 Coax

RF Cable Assemblies Technical Data Sheet

PE3C3024

Configuration

- Connector 1: SMB Jack Bulkhead
- Connector 2: BNC Male
- Cable Type: RG316

Electrical Specifications

| Description | Minimum | Typical | Maximum | Units |
|-------------------------------|---------|--------------|---------|-----------------|
| Frequency Range | DC | | 3 | GHz |
| VSWR | | | 1.4:1 | |
| Velocity of Propagation | | 69 | | % |
| Capacitance | | 29.4 [96.46] | | pF/ft [pF/m] |
| DC Resistance Inner Conductor | | 8.41 [27.59] | | Ω/1000ft [Ω/Km] |
| Operating Voltage (AC) | | | 335 | Vrms |
| Jacket Spark | | | 2,000 | Vrms |

Specifications by Frequency

| Description | F1 | F2 | F3 | F4 | F5 | Units |
|-----------------------|-------|--------|--------|--------|--------|-------|
| Frequency | 0.1 | 0.25 | 0.5 | 1 | 3 | GHz |
| Insertion Loss (Max.) | 1.11 | 1.15 | 1.2 | 1.3 | 1.55 | dB/ft |
| | 3.64 | 3.77 | 3.94 | 4.27 | 5.09 | dB/m |
| Insertion Loss (Typ.) | 0.31 | 0.36 | 0.438 | 0.58 | 0.78 | dB/ft |
| | 1.02 | 1.18 | 1.44 | 1.9 | 2.56 | dB/m |
| VSWR (Max.) | 1.4:1 | 1.4:1 | 1.4:1 | 1.4:1 | 1.4:1 | |
| Return Loss (Max.) | 15.56 | 15.563 | 15.563 | 15.563 | 15.563 | dB |

Mechanical Specifications

Cable Assembly

| | |
|----------|---------------------|
| Diameter | 0.57 in [14.48 mm] |
| Weight | 0.032 lbs [14.51 g] |

Click the following link (or enter part number in "SEARCH" on website) to obtain additional part information including price, inventory and certifications: [SMB Jack Bulkhead to BNC Male Cable Using RG316 Coax PE3C3024](#)



SMB Jack Bulkhead to BNC Male Cable Using RG316 Coax

RF Cable Assemblies Technical Data Sheet

PE3C3024

Cable

| | |
|--------------------------------------|----------------------------|
| Cable Type | RG316 |
| Impedance | 50 Ohms |
| Inner Conductor Type | Stranded |
| Inner Conductor Material and Plating | Copper Clad Steel, Silver |
| Dielectric Type | PTFE |
| Number of Shields | 1 |
| Shield Layer 1 | Silver Plated Copper Braid |
| Jacket Material | FEP, Tan |
| Jacket Diameter | 0.102 in [2.59 mm] |

Connectors

| Description | Connector 1 | Connector 2 |
|------------------------------------|----------------------|-----------------------|
| Type | SMB Jack Bulkhead | BNC Male |
| Specification | MIL-STD-348A | MIL-STD-348A |
| Impedance | 50 Ohms | 50 Ohms |
| Contact Material and Plating | Brass, Gold | Brass, Gold |
| Contact Plating Specification | 30 μ in minimum | 50 μ in. minimum |
| Dielectric Type | PTFE | Teflon |
| Body Material and Plating | Brass, Nickel | Brass, Nickel |
| Body Plating Specification | 100 μ in minimum | 100 μ in. minimum |
| Coupling Nut Material and Plating | | Brass, Nickel |
| Coupling Nut Plating Specification | | 100 μ in. minimum |

Mechanical Specification Notes:

*All cable assemblies have a length tolerance of 1.5% or $\pm 3/8$ ", whichever is greater.

Environmental Specifications

Temperature

Operating Range -55 to +165 deg C

Compliance Certifications (see [product page](#) for current document)

Plotted and Other Data

Notes:

- Values at 25°C, sea level.

Click the following link (or enter part number in "SEARCH" on website) to obtain additional part information including price, inventory and certifications: [SMB Jack Bulkhead to BNC Male Cable Using RG316 Coax PE3C3024](#)



SMB Jack Bulkhead to BNC Male Cable Using RG316 Coax

RF Cable Assemblies Technical Data Sheet

PE3C3024

How to Order

Part Number Configuration:

PE3C3024

- **xx**

uu

Unit of Measure:

cm = Centimeters

<blank> = Inches

Length

Base Number

Example: PE3C3024-12 = 12 inches long cable
PE3C3024-100cm = 100 cm long cable

SMB Jack Bulkhead to BNC Male Cable Using RG316 Coax from Pasternack Enterprises has same day shipment for domestic and International orders. Our RF, microwave and millimeter wave products maintain a 99.4% availability and are part of the broadest selection in the industry.

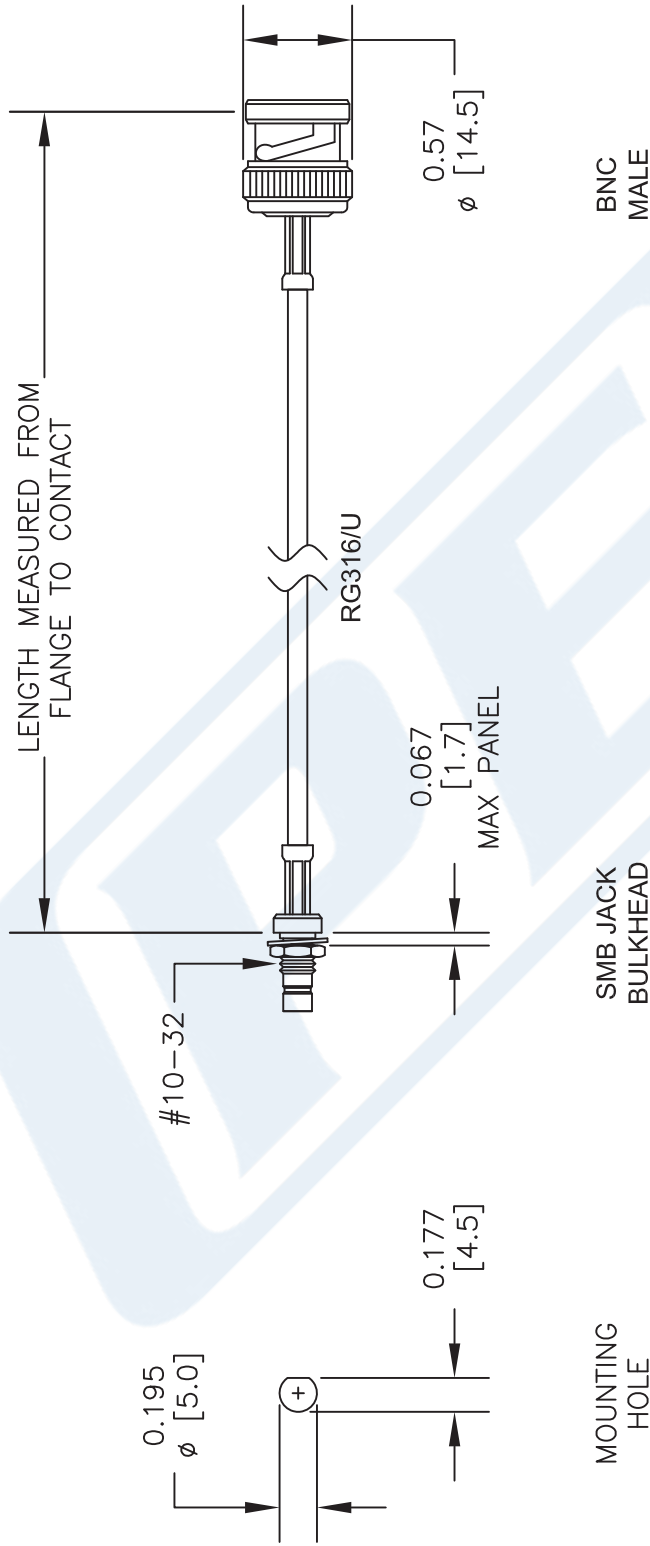
Click the following link (or enter part number in "SEARCH" on website) to obtain additional part information including price, inventory and certifications: [SMB Jack Bulkhead to BNC Male Cable Using RG316 Coax PE3C3024](https://www.pasternack.com/smb-jack-bnc-male-rg316u-cable-assembly-pe3c3024-p.aspx)

URL: <https://www.pasternack.com/smb-jack-bnc-male-rg316u-cable-assembly-pe3c3024-p.aspx>

The information contained in this document is accurate to the best of our knowledge and representative of the part described herein. It may be necessary to make modifications to the part and/or the documentation of the part, in order to implement improvements. Pasternack reserves the right to make such changes as required. Unless otherwise stated, all specifications are nominal. Pasternack does not make any representation or warranty regarding the suitability of the part described herein for any particular purpose, and Pasternack does not assume any liability arising out of the use of any part or documentation.

PE3C3024 CAD Drawing

SMB Jack Bulkhead to BNC Male Cable Using RG316 Coax



DWG TITLE

PE3C3024

NOTES:
 1. UNLESS OTHERWISE SPECIFIED ALL DIMENSIONS ARE NOMINAL.
 2. ALL SPECIFICATIONS ARE SUBJECT TO CHANGE WITHOUT NOTICE AT ANY TIME.
 3. DIMENSIONS ARE IN INCHES [mm].

CAGE CODE 53919

CAD FILE 111416

SCALE N/A

SIZE A

2233



Pasternack Enterprises, Inc.
 P.O. Box 16759 | Irvine | CA | 92623
 Phone: (949) 261-1920 | Fax: (949) 261-7451
 Website: www.pasternack.com | E-Mail: sales@pasternack.com