



TNC Male Right Angle to TNC Male Low Loss Cable
Using LMR-400-UF Coax With Times Microwave
Components with HeatShrink, LF Solder

RF Cable Assemblies Technical Data Sheet

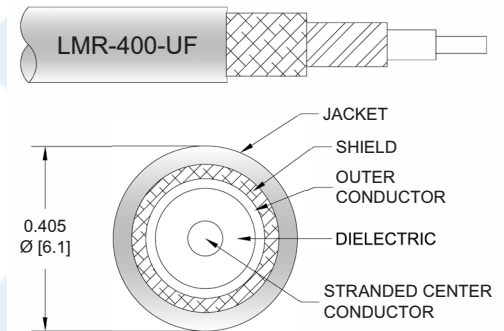
PE3C2517LF/HS

Configuration

- Connector 1: TNC Male Right Angle
- Connector 2: TNC Male
- Cable Type: LMR-400-UF

Features

- Max Frequency 5.8 GHz
- Shielding Effectivity > 90 dB
- 85% Phase Velocity
- Double Shielded
- TPE Jacket



Applications

- General Purpose
- Laboratory Use

Description

Pasternack's PE3C2517LF/HS TNC male right angle to TNC male cable using LMR-400-UF coax is part of our full line of RF components available for same-day shipping. Pasternack's flexible RF cable assemblies are ideal for applications where tight bends and flexure are required. This Pasternack TNC to TNC cable assembly has a male to male gender configuration with 50 ohm flexible LMR-400-UF coax. The PE3C2517LF/HS TNC male to TNC male cable assembly operates to 5.8 GHz. The right angle TNC interface on the LMR-400-UF cable allows for easier connections in tight spaces. The double shielding of this Pasternack cable assembly provides excellent shielding effectiveness of better than 90 dB.

Custom versions of most RF cable assemblies can be built and shipped same day. Custom cable assembly lengths can be obtained by specifying the desired length on the web site at time of order or by contacting a sales representative. Other available RF cable assembly value added services include connector orientation or clocking, heat shrink booting and custom labeling. RF testing can also be performed to document the electrical performance of your cable assembly.

Click the following link (or enter part number in "SEARCH" on website) to obtain additional part information including price, inventory and certifications: [TNC Male Right Angle to TNC Male Low Loss Cable Using LMR-400-UF Coax With Times Microwave Components with HeatShrink, LF Solder PE3C2517LF/HS](#)



TNC Male Right Angle to TNC Male Low Loss Cable
Using LMR-400-UF Coax With Times Microwave
Components with HeatShrink, LF Solder

RF Cable Assemblies Technical Data Sheet

PE3C2517LF/HS

Electrical Specifications

Description	Minimum	Typical	Maximum	Units
Frequency Range	DC		5.8	GHz
VSWR			1.4:1	
Velocity of Propagation		85		%
RF Shielding	90			dB
Group Delay		1.2 [3.94]		ns/ft [ns/m]
Capacitance		23.9 [78.41]		pF/ft [pF/m]
Inductance		0.06 [0.2]		uH/ft [uH/m]
DC Resistance Inner Conductor		1.07 [3.51]		Ω /1000ft [Ω /Km]
DC Resistance Outer Conductor		1.65 [5.41]		Ω /1000ft [Ω /Km]
Jacket Spark			8,000	Vrms

Specifications by Frequency

Description	F1	F2	F3	F4	F5	Units
Frequency	0.25	0.5	1	2.5	5.8	GHz
Insertion Loss (Typ.)	0.023	0.034	0.049	0.081	0.13	dB/ft
	0.08	0.11	0.16	0.27	0.43	dB/m

Electrical Specification Notes:

Insertion Loss does not include the loss of the connectors. Insertion Loss is estimated as 0.2 dB for the right angle connector and 0.1 dB for the straight connector.

Mechanical Specifications

Cable Assembly

Weight 0.287 lbs [130.18 g]

Cable

Cable Type LMR-400-UF
 Impedance 50 Ohms
 Inner Conductor Type Stranded
 Inner Conductor Material and Plating Copper
 Dielectric Type PE (F)
 Number of Shields 2
 Shield Layer 1 Aluminum Tape
 Shield Layer 2 Tinned Copper Braid

Click the following link (or enter part number in "SEARCH" on website) to obtain additional part information including price, inventory and certifications: [TNC Male Right Angle to TNC Male Low Loss Cable Using LMR-400-UF Coax With Times Microwave Components with HeatShrink, LF Solder PE3C2517LF/HS](#)



TNC Male Right Angle to TNC Male Low Loss Cable
Using LMR-400-UF Coax With Times Microwave
Components with HeatShrink, LF Solder

RF Cable Assemblies Technical Data Sheet

PE3C2517LF/HS

Jacket Material	TPE, Black
Jacket Diameter	0.405 in [10.29 mm]
One Time Minimum Bend Radius	1 in [25.4 mm]
Repeated Minimum Bend Radius	4 in [101.6 mm]
Bending Moment	0.38 lbs-ft [0.52 N-m]
Flat Plate Crush	20 lbs/in [0.36 Kg/mm]
Tensile Strength	160 lbs [72.57 Kg]

Connectors

Description	Connector 1	Connector 2
Type	TNC Male Right Angle	TNC Male
Impedance	50 Ohms	50 Ohms
Mating Cycles		500
Contact Material and Plating	Brass, Silver	Brass, Gold
Contact Plating Specification		50 μinch
Dielectric Type	PTFE	
Body Material and Plating	Brass, Silver	Brass, Tri-Metal
Body Plating Specification		80 μinch
Coupling Nut Material and Plating	Brass, Silver	Brass, Tri-Metal
Coupling Nut Plating Specification		80 μinch

Environmental Specifications

Temperature

Operating Range -40 to +85 deg C

Compliance Certifications (see [product page](#) for current document)

Plotted and Other Data

Notes:

Click the following link (or enter part number in "SEARCH" on website) to obtain additional part information including price, inventory and certifications: [TNC Male Right Angle to TNC Male Low Loss Cable Using LMR-400-UF Coax With Times Microwave Components with HeatShrink, LF Solder PE3C2517LF/HS](#)



TNC Male Right Angle to TNC Male Low Loss Cable
Using LMR-400-UF Coax With Times Microwave
Components with HeatShrink, LF Solder

RF Cable Assemblies Technical Data Sheet

PE3C2517LF/HS

How to Order

Part Number Configuration:

PE3C2517LF/HS - xx uu

Unit of Measure:
cm = Centimeters
<blank> = Inches
Length
Base Number

Example: PE3C2517LF/HS-12 = 12 inches long cable
PE3C2517LF/HS-100cm = 100 cm long cable

TNC Male Right Angle to TNC Male Low Loss Cable Using LMR-400-UF Coax With Times Microwave Components with HeatShrink, LF Solder from Pasternack Enterprises has same day shipment for domestic and International orders. Our RF, microwave and millimeter wave products maintain a 99.4% availability and are part of the broadest selection in the industry.

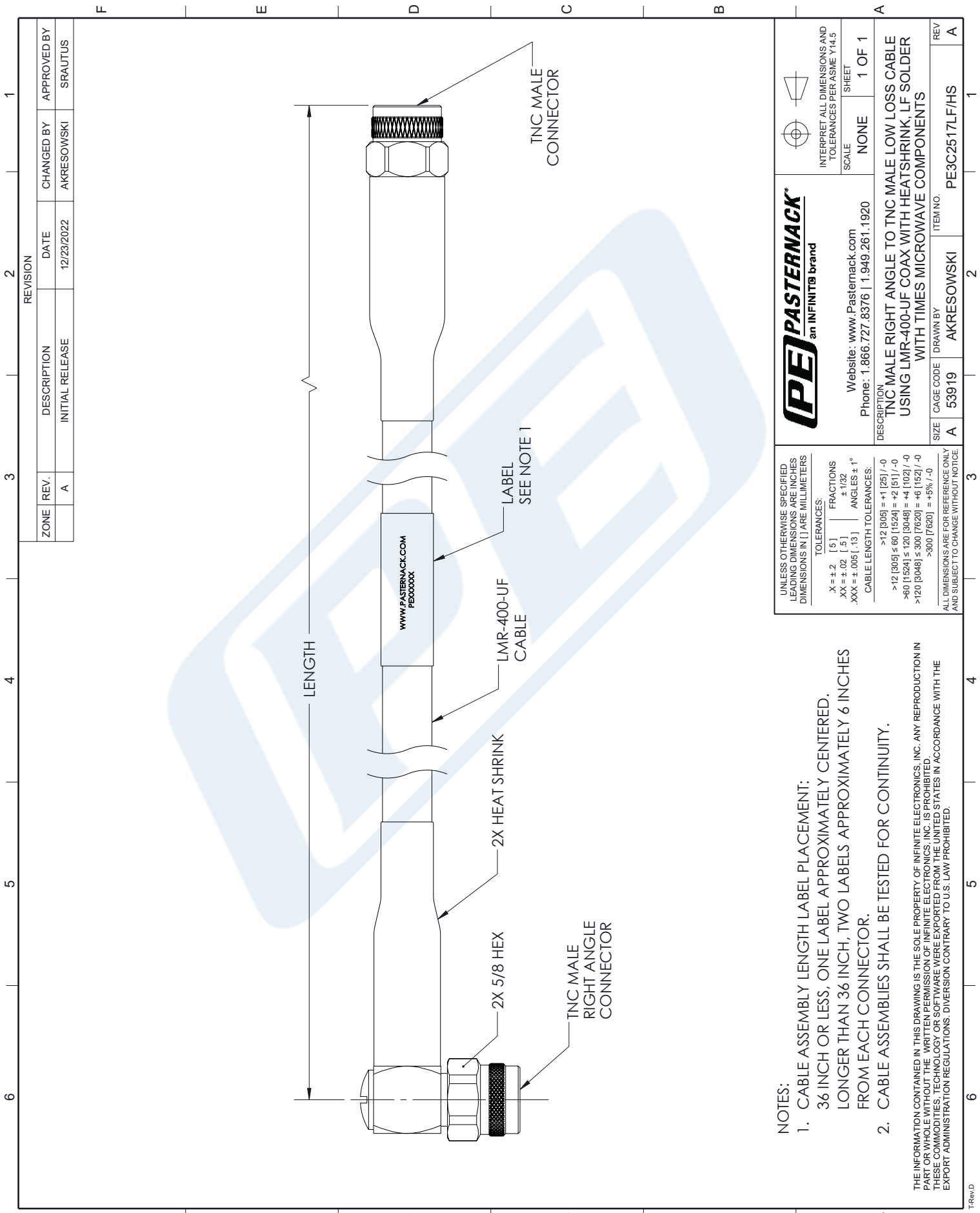
Click the following link (or enter part number in "SEARCH" on website) to obtain additional part information including price, inventory and certifications: [TNC Male Right Angle to TNC Male Low Loss Cable Using LMR-400-UF Coax With Times Microwave Components with HeatShrink, LF Solder PE3C2517LF/HS](#)

URL: <https://www.pasternack.com/tnc-male-right-angle-to-tnc-male-low-loss-cable-using-lmr-400-uf-with-heatshrink-lf-solder-pe3c2517lf-hs-p.aspx>

The information contained in this document is accurate to the best of our knowledge and representative of the part described herein. It may be necessary to make modifications to the part and/or the documentation of the part, in order to implement improvements. Pasternack reserves the right to make such changes as required. Unless otherwise stated, all specifications are nominal. Pasternack does not make any representation or warranty regarding the suitability of the part described herein for any particular purpose, and Pasternack does not assume any liability arising out of the use of any part or documentation.

PE3C2517LF/HS CAD Drawing

TNC Male Right Angle to TNC Male Low Loss Cable Using LMR-400-UF Coax With Times Microwave Components with HeatShrink, LF Solder



NOTES:

- CABLE ASSEMBLY LENGTH LABEL PLACEMENT:
36 INCH OR LESS, ONE LABEL APPROXIMATELY CENTERED.
LONGER THAN 36 INCH, TWO LABELS APPROXIMATELY 6 INCHES FROM EACH CONNECTOR.
- CABLE ASSEMBLIES SHALL BE TESTED FOR CONTINUITY.

THE INFORMATION CONTAINED IN THIS DRAWING IS THE SOLE PROPERTY OF INFINITE ELECTRONICS, INC. ANY REPRODUCTION IN PART OR WHOLE WITHOUT THE WRITTEN PERMISSION OF INFINITE ELECTRONICS, INC. IS PROHIBITED. THESE COMMODITIES, TECHNOLOGY OR SOFTWARE WERE EXPORTED FROM THE UNITED STATES IN ACCORDANCE WITH THE EXPORT ADMINISTRATION REGULATIONS. DIVERSION CONTRARY TO U.S. LAW PROHIBITED.

UNLESS OTHERWISE SPECIFIED LEADING DIMENSIONS ARE INCHES DIMENSIONS IN [] ARE MILLIMETERS	
TOLERANCES:	FRACTIONS
X = ± .2 [.5]	± 1/32
.XX = ± .02 [.5]	ANGLES ± 1°
.XXX = ± .005 [.13]	CABLE LENGTH TOLERANCES:
	>12 [305] = ±1 [25] / -0
	>60 [1524] = ±2 [51] / -0
	>60 [1524] ≤ 120 [3048] = ±4 [102] / -0
	>120 [3048] ≤ 300 [7620] = ±6 [152] / -0
	>300 [7620] = ±5% / -0
ALL DIMENSIONS ARE FOR REFERENCE ONLY AND SUBJECT TO CHANGE WITHOUT NOTICE	



Website: www.Pasternack.com
Phone: 1.866.727.8376 | 1.949.261.1920

DESCRIPTION
TNC MALE RIGHT ANGLE TO TNC MALE LOW LOSS CABLE USING LMR-400-UF COAX WITH HEATSHRINK, LF SOLDER WITH TIMES MICROWAVE COMPONENTS

INTERPRET ALL DIMENSIONS AND TOLERANCES PER ASME Y14.5 SHEET
SCALE NONE
1 OF 1

SIZE	CAGE CODE	DRAWN BY	ITEM NO.
A	53919	AKRESOWSKI	PE3C2517LF/HS
REV	A		

REVISION			
ZONE	REV.	DESCRIPTION	APPROVED BY
	A	INITIAL RELEASE	AKRESOWSKI
		DATE	12/23/2022
		CHANGED BY	AKRESOWSKI
		APPROVED BY	STRAUTUS