



SMA Male Right Angle to N Female Bulkhead Cable Using PE-SR405FL Coax , LF Solder in 12 Inch

RF Cable Assemblies Technical Data Sheet

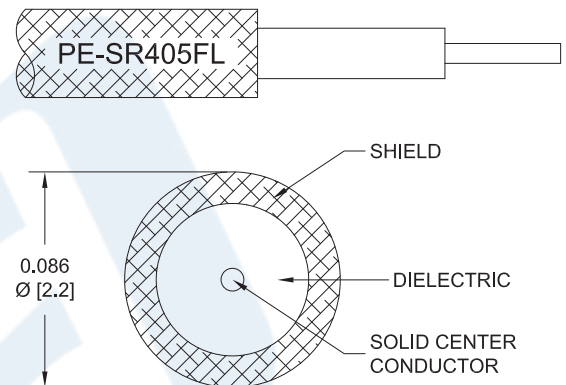
PE39448LF-12

Configuration

- Connector 1: SMA Male Right Angle
- Connector 2: N Female Bulkhead
- Cable Type: PE-SR405FL

Features

- Max Frequency 6 GHz
- 69.5% Phase Velocity



Applications

- General Purpose
- Laboratory Use

Description

Pasternack's PE39448LF-12 SMA male right angle to type N female bulkhead 12 inch cable using PE-SR405FL coax is part of our full line of RF components available for same-day shipping. Pasternack's formable RF cable assemblies provide an alternative to costly pre-formed semi-rigid assemblies since they are hand formable. This Pasternack SMA to type N cable assembly has a male to female gender configuration with 50 ohm formable PE-SR405FL coax. The PE39448LF-12 SMA male to type N female cable assembly operates to 6 GHz. The right angle SMA interface on the PE-SR405FL cable allows for easier connections in tight spaces. Our RF cable assembly with type N bulkhead interface allows designers to create external connections on their product enclosures, and can be used in a variety of other rack mount and panel mount applications.

Custom versions of most RF cable assemblies can be built and shipped same day. Custom cable assembly lengths can be obtained by specifying the desired length on the web site at time of order or by contacting a sales representative. Other available RF cable assembly value added services include connector orientation or clocking, heat shrink booting and custom labeling. RF testing can also be performed to document the electrical performance of your cable assembly.

Click the following link (or enter part number in "SEARCH" on website) to obtain additional part information including price, inventory and certifications: [SMA Male Right Angle to N Female Bulkhead Cable Using PE-SR405FL Coax , LF Solder in 12 Inch PE39448LF-12](#)



SMA Male Right Angle to N Female Bulkhead Cable
Using PE-SR405FL Coax , LF Solder in 12 Inch

RF Cable Assemblies Technical Data Sheet

PE39448LF-12

Electrical Specifications

Description	Minimum	Typical	Maximum	Units
Frequency Range	DC		6	GHz
VSWR			1.5:1	
Velocity of Propagation		69.5		%
Capacitance		29 [95.14]		pF/ft [pF/m]
DC Resistance Inner Conductor		65.7 [215.55]		Ω /1000ft [Ω /Km]
DC Resistance Outer Conductor		10.2 [33.46]		Ω /1000ft [Ω /Km]

Specifications by Frequency

Description	F1	F2	F3	F4	F5	Units
Frequency	0.25	0.5	1	2.5	6	GHz
Insertion Loss (Typ.)	0.38	0.45	0.53	0.65	0.91	dB

Electrical Specification Notes:

The Insertion Loss data above is based on the performance specifications of the coax and connectors used in this assembly. The Insertion Loss includes an estimated insertion loss of 0.1 dB for the female connector and 0.2 dB for the male connector.

Mechanical Specifications

Cable Assembly

Length*	12 in [304.8 mm]
Weight	0.093 lbs [42.18 g]

Cable

Cable Type	PE-SR405FL
Impedance	50 Ohms
Inner Conductor Type	Solid
Inner Conductor Material and Plating	Copper Clad Steel, Silver
Dielectric Type	PTFE
Number of Shields	1
Outer Conductor Material and Plating	Copper, Tin
Repeated Minimum Bend Radius	0.78 in [19.81 mm]

Click the following link (or enter part number in "SEARCH" on website) to obtain additional part information including price, inventory and certifications: [SMA Male Right Angle to N Female Bulkhead Cable Using PE-SR405FL Coax , LF Solder in 12 Inch PE39448LF-12](#)



SMA Male Right Angle to N Female Bulkhead Cable
Using PE-SR405FL Coax , LF Solder in 12 Inch

RF Cable Assemblies Technical Data Sheet

PE39448LF-12

Connectors

Description	Connector 1	Connector 2
Type	SMA Male Right Angle	N Female Bulkhead
Impedance	50 Ohms	50 Ohms
Contact Material and Plating	Brass, Gold over Nickel	Phosphor Bronze, Gold over Nickel
Contact Plating Specification	8 µin minimum	
Dielectric Type	PTFE	PTFE
Body Material and Plating	Brass, Gold over Nickel	Brass, Nickel
Body Plating Specification	4 µin minimum	
Coupling Nut Material and Plating	Passivated Stainless Steel	
Hex Size	5/16 inch	
Torque	8 in-lbs [0.9 Nm]	

Compliance Certifications (see [product page](#) for current document)

Plotted and Other Data

Notes:

- Values at 25°C, sea level.

Click the following link (or enter part number in "SEARCH" on website) to obtain additional part information including price, inventory and certifications: [SMA Male Right Angle to N Female Bulkhead Cable Using PE-SR405FL Coax , LF Solder in 12 Inch PE39448LF-12](#)



SMA Male Right Angle to N Female Bulkhead Cable
Using PE-SR405FL Coax , LF Solder in 12 Inch

RF Cable Assemblies Technical Data Sheet

PE39448LF-12

How to Order

Part Number Configuration:

PE39448LF - xx uu

Unit of Measure:
cm = Centimeters
<blank> = Inches
Length
Base Number

Example: PE39448LF-12 = 12 inches long cable
PE39448LF-100cm = 100 cm long cable

SMA Male Right Angle to N Female Bulkhead Cable Using PE-SR405FL Coax , LF Solder in 12 Inch from Pasternack Enterprises has same day shipment for domestic and International orders. Our RF, microwave and millimeter wave products maintain a 99.4% availability and are part of the broadest selection in the industry.

Click the following link (or enter part number in "SEARCH" on website) to obtain additional part information including price, inventory and certifications: [SMA Male Right Angle to N Female Bulkhead Cable Using PE-SR405FL Coax , LF Solder in 12 Inch PE39448LF-12](#)

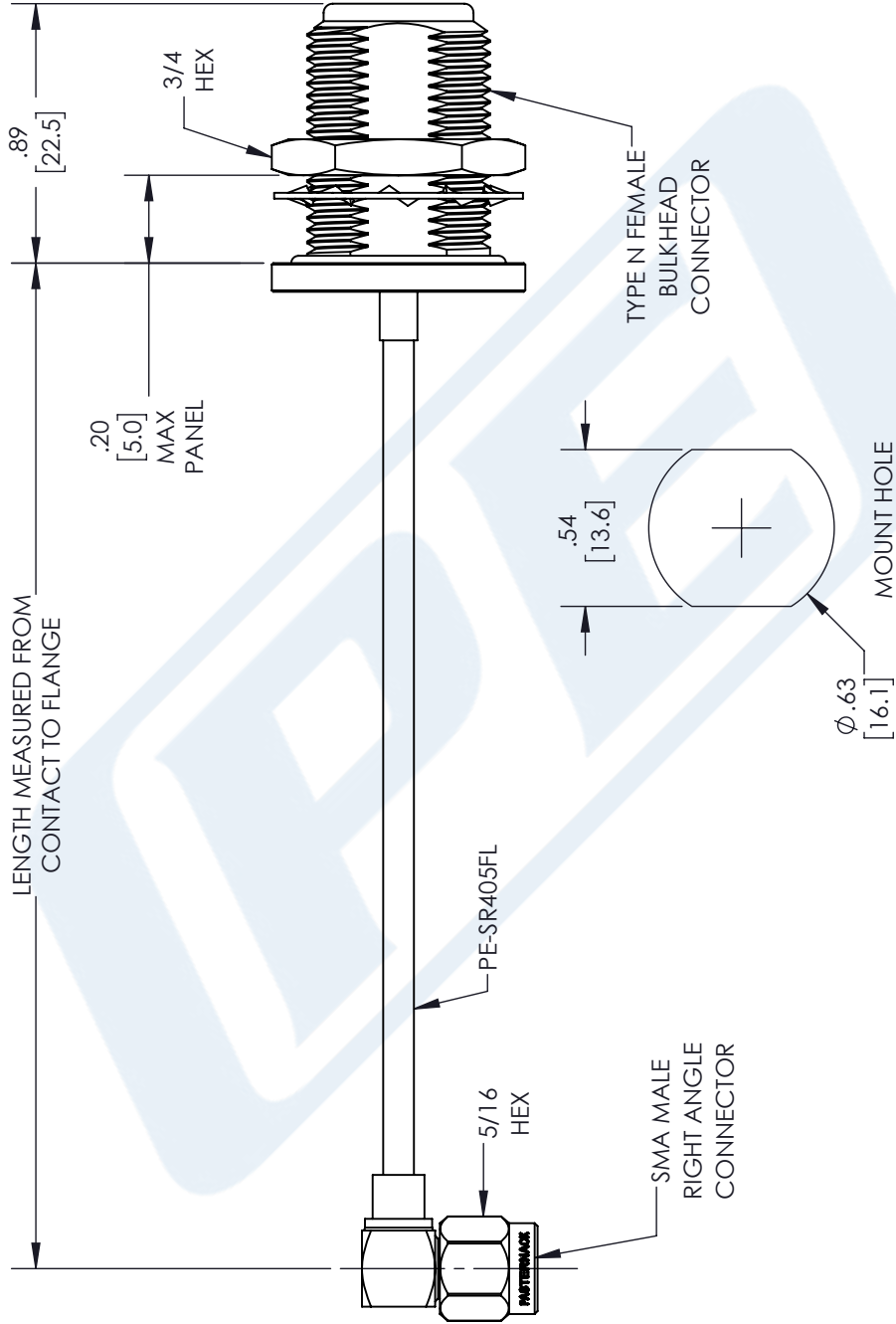
URL: <https://www.pasternack.com/sma-male-right-angle-to-n-female-bulkhead-cable-using-pe-sr405fl-lf-solder-pe39448lf-12-p.aspx>

The information contained in this document is accurate to the best of our knowledge and representative of the part described herein. It may be necessary to make modifications to the part and/or the documentation of the part, in order to implement improvements. Pasternack reserves the right to make such changes as required. Unless otherwise stated, all specifications are nominal. Pasternack does not make any representation or warranty regarding the suitability of the part described herein for any particular purpose, and Pasternack does not assume any liability arising out of the use of any part or documentation.

PE39448LF-12 CAD Drawing

SMA Male Right Angle to N Female Bulkhead Cable Using PE-SR405FL Coax , LF Solder in 12 Inch

REVISIONS			
REV.	DESCRIPTION	DATE	APPROVED
A	INITIAL RELEASE	08/10/2022	AGANWANI



<p>PE PASTERNAK an INFINITI brand</p> <p>Pasternack Enterprises, Inc. P. O. Box 16759, Irvine, CA 92623. Phone: 1.949.261.1920 1.866.727.8376 Fax: 1.949.261.7451 Website: www.pasternack.com E-mail: sales@pasternack.com</p>	<p>THIRD-ANGLE PROJECTION</p> <p>THE INFORMATION AND DESIGN IN THIS DOCUMENT IS THE PROPERTY OF PASTERNAK CORPORATION ALL RIGHTS RESERVED.</p> <p>SHEET 1 OF 1</p> <p>SCALE N/A</p>	<p>UNLESS OTHERWISE SPECIFIED LEADING DIMENSIONS ARE INCHES DIMENSIONS IN [] ARE MILLIMETERS</p> <p>TOLERANCES:</p> <p>.X = ±.2 [5.08] FRACTIONS ± 1/32 .XX = ±.02 [51] ANGLES ± 1° .XXX = ±.005 [13] CABLE LENGTH (L), TOLERANCES: L ≤ 12 [305] = +1 [25] / -0 12 [305] < L ≤ 60 [1524] = +2 [51] / -0 60 [1524] < L ≤ 120 [3048] = +4 [102] / -0 120 [3048] < L ≤ 300 [7620] = +6 [152] / -0 300 [7620] < L = +5% / -0</p> <p>ALL DIMENSIONS SHOWN ARE FOR REFERENCE ONLY.</p>
<p>ITEM NO. PE39448LF</p>		<p>REV A</p>
<p>CAGE CODE 53919</p>		<p>DRAWN BY BPUCHASKI</p>

THESE COMMODITIES, TECHNOLOGY OR SOFTWARE WERE EXPORTED FROM THE UNITED STATES IN ACCORDANCE WITH THE EXPORT ADMINISTRATION REGULATIONS. DIVERSION CONTRARY TO U.S. LAW PROHIBITED.