

## SMA Male to N Female Bulkhead Semi-Flexible Precision Cable Using PE-SR405FL Coax, LF Solder, RoHS

### RF Cable Assemblies Technical Data Sheet

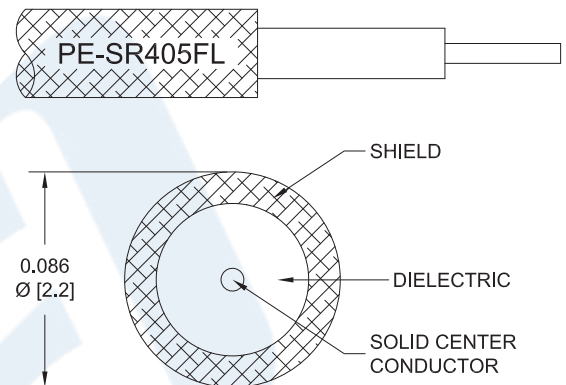
**PE39447**

#### Configuration

- Connector 1: SMA Male
- Connector 2: N Female Bulkhead
- Cable Type: PE-SR405FL

#### Features

- Max Frequency 6 GHz
- Shielding Effectivity > 100 dB
- 69.5% Phase Velocity
- Dimensionally and electrically the same as standard, solid outer conductor semi-rigid coax
- Cable may be formed by hand and does not require special tools to bend
- May be formed more than once without damaging the outer conductor
- High RF Shielding >100 dB
- 100% Hi-pot and continuity tested
- 100% VSWR tested to max frequency of assembly
- Standard and custom lengths ship the same day



#### Applications

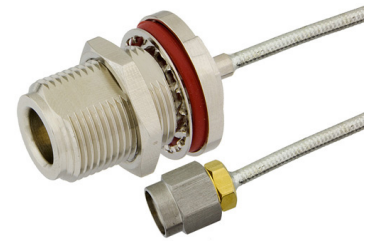
- General Purpose
- Laboratory Use

#### Description

Pasternack's PE39447 SMA male to type N female bulkhead cable using PE-SR405FL coax is part of our full line of RF components available for same-day shipping. Pasternack's formable RF cable assemblies provide an alternative to costly pre-formed semi-rigid assemblies since they are hand formable. This Pasternack SMA to type N cable assembly has a male to female gender configuration with 50 ohm formable PE-SR405FL coax. The PE39447 SMA male to type N female cable assembly operates to 6 GHz. Our RF cable assembly with type N bulkhead interface allows designers to create external connections on their product enclosures, and can be used in a variety of other rack mount and panel mount applications. Pasternack's formable cable assemblies are hand formable semi-rigid replacements that are an alternative to costly preformed assemblies. The formable semi-rigid cable alternatives are dimensionally and electrically similar to their semi-rigid counterpart and have a tinned-copper-braid outer shield that provides excellent RF shielding. The hand formable cable assemblies from Pasternack do not require special tooling to shape or reshape the assemblies and can replace standard semi-rigid versions. The assemblies are available with or without a FEP jacket and are RoHS compliant,

Custom versions of most RF cable assemblies can be built and shipped same day. Custom cable assembly lengths can be obtained by specifying the desired length on the web site at time of order or by contacting a sales representative. Other

Click the following link (or enter part number in "SEARCH" on website) to obtain additional part information including price, inventory and certifications: [SMA Male to N Female Bulkhead Semi-Flexible Precision Cable Using PE-SR405FL Coax, LF Solder, RoHS PE39447](#)



SMA Male to N Female Bulkhead Semi-Flexible Precision Cable Using PE-SR405FL Coax, LF Solder, RoHS

**RF Cable Assemblies Technical Data Sheet**

**PE39447**

available RF cable assembly value added services include connector orientation or clocking, heat shrink booting and custom labeling. RF testing can also be performed to document the electrical performance of your cable assembly.

**Electrical Specifications**

Description	Minimum	Typical	Maximum	Units
Frequency Range	DC		6	GHz
VSWR			1.5:1	
Velocity of Propagation		69.5		%
RF Shielding	100			dB
Capacitance		29 [95.14]		pF/ft [pF/m]
Operating Voltage (AC)			335	Vrms

**Specifications by Frequency**

Description	F1	F2	F3	F4	F5	Units
Frequency	0.25	0.5	1	2.5	6	GHz
Insertion Loss (Typ.)	0.075	0.15	0.225	0.346	0.601	dB/ft
	0.25	0.49	0.74	1.14	1.97	dB/m

**Mechanical Specifications**

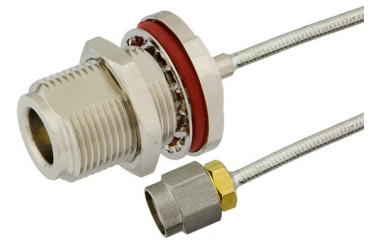
**Cable Assembly**

Weight 0.105 lbs [47.63 g]

**Cable**

Cable Type PE-SR405FL  
 Impedance 50 Ohms  
 Inner Conductor Type Solid  
 Inner Conductor Material and Plating Copper Clad Steel, Silver  
 Dielectric Type PTFE  
 Number of Shields 1  
 Shield Layer 1 Tinned Copper Braid

Click the following link (or enter part number in "SEARCH" on website) to obtain additional part information including price, inventory and certifications: [SMA Male to N Female Bulkhead Semi-Flexible Precision Cable Using PE-SR405FL Coax, LF Solder, RoHS PE39447](#)



SMA Male to N Female Bulkhead Semi-Flexible Precision Cable Using PE-SR405FL Coax, LF Solder, RoHS

## RF Cable Assemblies Technical Data Sheet

**PE39447**

### Connectors

Description	Connector 1	Connector 2
Type	SMA Male	N Female Bulkhead
Impedance	50 Ohms	50 Ohms
Contact Material and Plating	Brass, Gold	Phosphor Bronze, Gold
Dielectric Type	PTFE	PTFE
Body Material and Plating	Brass, Gold	Brass, Nickel
Coupling Nut Material and Plating	Passivated Stainless Steel	
Hex Size	5/16 in.	
Torque	8 in-lbs [0.9 Nm]	

### Environmental Specifications

#### Temperature

Operating Range

-65 to +125 deg C

**Compliance Certifications** (see [product page](#) for current document)

### Plotted and Other Data

Notes:

- Values at 25°C, sea level.

Click the following link (or enter part number in "SEARCH" on website) to obtain additional part information including price, inventory and certifications: [SMA Male to N Female Bulkhead Semi-Flexible Precision Cable Using PE-SR405FL Coax, LF Solder, RoHS PE39447](#)



SMA Male to N Female Bulkhead Semi-Flexible Precision  
Cable Using PE-SR405FL Coax, LF Solder, RoHS

**RF Cable Assemblies Technical Data Sheet**

**PE39447**

**How to Order**

Part Number Configuration:

**PE39447**

- **xx**

**uu**

Unit of Measure:  
cm = Centimeters  
<blank> = Inches  
Length  
Base Number

Example: PE39447-12 = 12 inches long cable  
PE39447-100cm = 100 cm long cable

SMA Male to N Female Bulkhead Semi-Flexible Precision Cable Using PE-SR405FL Coax, LF Solder, RoHS from Pasternack Enterprises has same day shipment for domestic and International orders. Our RF, microwave and millimeter wave products maintain a 99.4% availability and are part of the broadest selection in the industry.

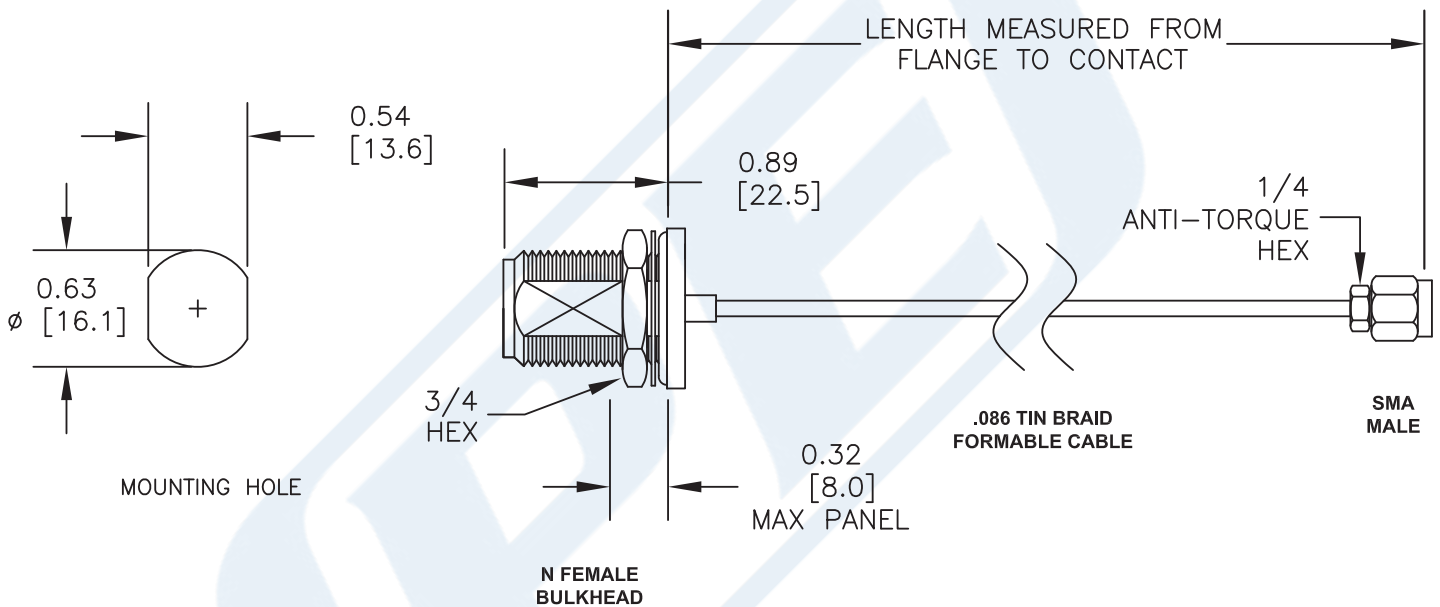
Click the following link (or enter part number in "SEARCH" on website) to obtain additional part information including price, inventory and certifications: [SMA Male to N Female Bulkhead Semi-Flexible Precision Cable Using PE-SR405FL Coax, LF Solder, RoHS PE39447](#)

URL: <https://www.pasternack.com/sma-male-n-female-pe-sr405fl-cable-assembly-pe39447-p.aspx>

The information contained in this document is accurate to the best of our knowledge and representative of the part described herein. It may be necessary to make modifications to the part and/or the documentation of the part, in order to implement improvements. Pasternack reserves the right to make such changes as required. Unless otherwise stated, all specifications are nominal. Pasternack does not make any representation or warranty regarding the suitability of the part described herein for any particular purpose, and Pasternack does not assume any liability arising out of the use of any part or documentation.

# PE39447 CAD Drawing

SMA Male to N Female Bulkhead Semi-Flexible Precision Cable Using PE-SR405FL Coax, LF Solder, RoHS



**Note: This part is lead free.**



Pasternack Enterprises, Inc.  
P.O. Box 16759 | Irvine | CA | 92623

Phone: (949) 261-1920 | Fax: (949) 261-7451

Website: [www.pasternack.com](http://www.pasternack.com) | E-Mail: [sales@pasternack.com](mailto:sales@pasternack.com)

**NOTES:**

1. UNLESS OTHERWISE SPECIFIED ALL DIMENSIONS ARE NOMINAL.
2. ALL SPECIFICATIONS ARE SUBJECT TO CHANGE WITHOUT NOTICE AT ANY TIME.
3. DIMENSIONS ARE IN INCHES [mm].
4. LENGTH TOLERANCE IS ± 1.5% OR 3/8", WHICHEVER IS GREATER.

DWG TITLE

**PE39447**

FSCM NO. 53919

CAD FILE

012115

SCALE N/A

SIZE A

2233