



Mini SMP Female to SMA Female Bulkhead Cable Using PE-SR405FL Coax with HeatShrink in 24 Inch

RF Cable Assemblies Technical Data Sheet

PE38330/HS-24

Configuration

- Connector 1: Mini SMP Female
- Connector 2: SMA Female Bulkhead
- Cable Type: PE-SR405FL

Features

- Max Frequency 12.4 GHz
- 69.5% Phase Velocity

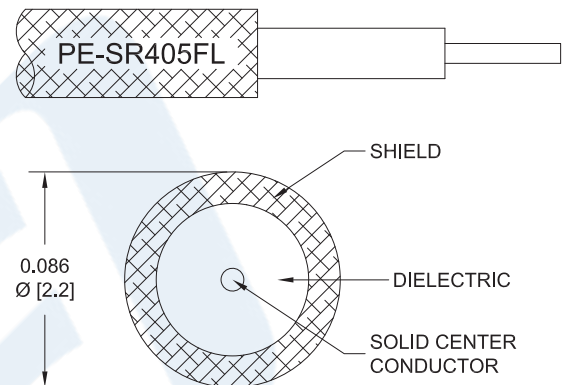
Applications

- General Purpose
- Laboratory Use

Description

Pasternack's PE38330/HS-24 Mini SMP female to SMA female bulkhead 24 inch cable using PE-SR405FL coax is part of our full line of RF components available for same-day shipping. Pasternack's formable RF cable assemblies provide an alternative to costly pre-formed semi-rigid assemblies since they are hand formable. This Pasternack Mini SMP to SMA cable assembly has a female to female gender configuration with 50 ohm formable PE-SR405FL coax. The PE38330/HS-24 Mini SMP female to SMA female cable assembly operates to 12.4 GHz. Our RF cable assembly with SMA bulkhead interface allows designers to create external connections on their product enclosures, and can be used in a variety of other rack mount and panel mount applications.

Custom versions of most RF cable assemblies can be built and shipped same day. Custom cable assembly lengths can be obtained by specifying the desired length on the web site at time of order or by contacting a sales representative. Other available RF cable assembly value added services include connector orientation or clocking, heat shrink booting and custom labeling. RF testing can also be performed to document the electrical performance of your cable assembly.



Click the following link (or enter part number in "SEARCH" on website) to obtain additional part information including price, inventory and certifications: [Mini SMP Female to SMA Female Bulkhead Cable Using PE-SR405FL Coax with Heat-Shrink in 24 Inch PE38330/HS-24](#)



Mini SMP Female to SMA Female Bulkhead Cable Using
PE-SR405FL Coax with HeatShrink in 24 Inch

RF Cable Assemblies Technical Data Sheet

PE38330/HS-24

Electrical Specifications

Description	Minimum	Typical	Maximum	Units
Frequency Range	DC		12.4	GHz
VSWR			1.5:1	
Velocity of Propagation		69.5		%
Capacitance		29 [95.14]		pF/ft [pF/m]
DC Resistance Inner Conductor		65.7 [215.55]		Ω/1000ft [Ω/Km]
DC Resistance Outer Conductor		10.2 [33.46]		Ω/1000ft [Ω/Km]

Specifications by Frequency

Description	F1	F2	F3	F4	F5	Units
Frequency	0.5	1	2.5	5	12.4	GHz
Insertion Loss (Typ.)	0.44	0.6	0.88	1.31	1.94	dB

Electrical Specification Notes:

The Insertion Loss data above is based on the performance specifications of the coax and connectors used in this assembly. The Insertion Loss includes an estimated insertion loss of 0.1dB for the SMA female connector and 0.05xSQRT(FGHz) for the mini SMP female connector.

Mechanical Specifications

Cable Assembly

Length*	24 in [609.6 mm]
Weight	0.029 lbs [13.15 g]

Cable

Cable Type	PE-SR405FL
Impedance	50 Ohms
Inner Conductor Type	Solid
Inner Conductor Material and Plating	Copper Clad Steel, Silver
Dielectric Type	PTFE
Number of Shields	1
Outer Conductor Material and Plating	Copper, Tin
Repeated Minimum Bend Radius	0.78 in [19.81 mm]

Click the following link (or enter part number in "SEARCH" on website) to obtain additional part information including price, inventory and certifications: [Mini SMP Female to SMA Female Bulkhead Cable Using PE-SR405FL Coax with Heat-Shrink in 24 Inch PE38330/HS-24](#)



Mini SMP Female to SMA Female Bulkhead Cable Using
PE-SR405FL Coax with HeatShrink in 24 Inch

RF Cable Assemblies Technical Data Sheet

PE38330/HS-24

Connectors

Description	Connector 1	Connector 2
Type	Mini SMP Female	SMA Female Bulkhead
Specification	MIL-STD-348A	MIL-STD-348A
Impedance	50 Ohms	50 Ohms
Contact Material and Plating	Beryllium Copper, Gold	Beryllium Copper, Gold
Contact Plating Specification		50 µin minimum
Dielectric Type	PTFE	PTFE
Body Material and Plating	Beryllium Copper, Gold	Stainless Steel, Gold
Body Plating Specification		30 µin minimum

Compliance Certifications (see [product page](#) for current document)

Plotted and Other Data

Notes:

- Values at 25°C, sea level.

Click the following link (or enter part number in "SEARCH" on website) to obtain additional part information including price, inventory and certifications: [Mini SMP Female to SMA Female Bulkhead Cable Using PE-SR405FL Coax with Heat-Shrink in 24 Inch PE38330/HS-24](#)



Mini SMP Female to SMA Female Bulkhead Cable Using
PE-SR405FL Coax with HeatShrink in 24 Inch

RF Cable Assemblies Technical Data Sheet

PE38330/HS-24

How to Order

Part Number Configuration:

PE38330/HS - xx uu

Unit of Measure:
cm = Centimeters
<blank> = Inches
Length
Base Number

Example: PE38330/HS-12 = 12 inches long cable
PE38330/HS-100cm = 100 cm long cable

Mini SMP Female to SMA Female Bulkhead Cable Using PE-SR405FL Coax with HeatShrink in 24 Inch from Pasternack Enterprises has same day shipment for domestic and International orders. Our RF, microwave and millimeter wave products maintain a 99.4% availability and are part of the broadest selection in the industry.

Click the following link (or enter part number in "SEARCH" on website) to obtain additional part information including price, inventory and certifications: [Mini SMP Female to SMA Female Bulkhead Cable Using PE-SR405FL Coax with HeatShrink in 24 Inch PE38330/HS-24](#)

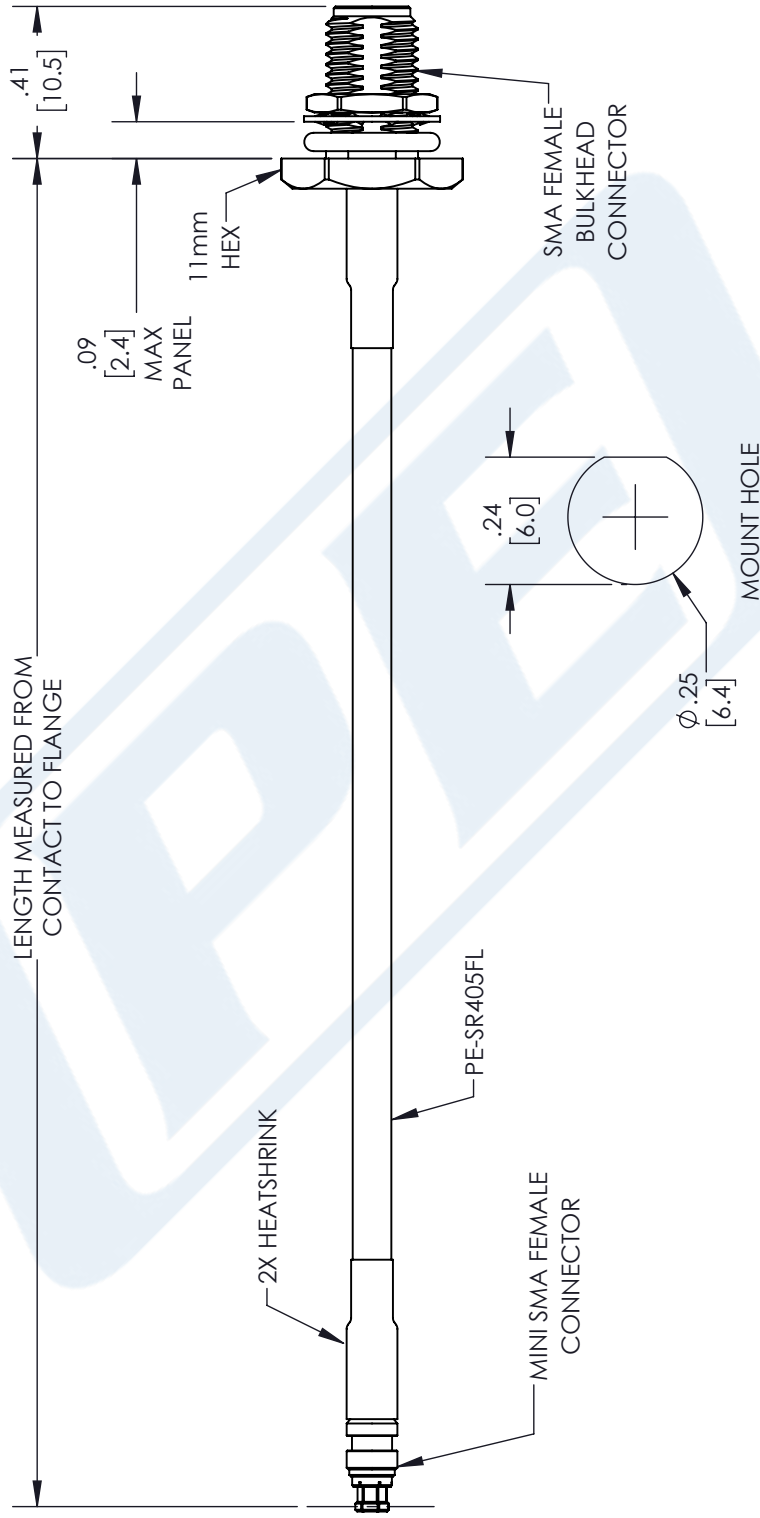
URL: <https://www.pasternack.com/mini-smp-female-to-sma-female-bulkhead-cable-using-pe-sr405fl-with-heatshrink-pe38330-hs-24-p.aspx>

The information contained in this document is accurate to the best of our knowledge and representative of the part described herein. It may be necessary to make modifications to the part and/or the documentation of the part, in order to implement improvements. Pasternack reserves the right to make such changes as required. Unless otherwise stated, all specifications are nominal. Pasternack does not make any representation or warranty regarding the suitability of the part described herein for any particular purpose, and Pasternack does not assume any liability arising out of the use of any part or documentation.

PE38330/HS-24 CAD Drawing

Mini SMP Female to SMA Female Bulkhead Cable Using PE-SR405FL Coax with HeatShrink in 24 Inch

REVISIONS			
REV.	DESCRIPTION	DATE	APPROVED
A	INITIAL RELEASE	08/10/2022	AGANWANI



UNLESS OTHERWISE SPECIFIED LEADING DIMENSIONS ARE INCHES DIMENSIONS IN [] ARE MILLIMETERS

TOLERANCES:

.X = ±.2 [5.08] FRACTIONS ± 1/32
 .XX = ±.02 [.51] ANGLES ± 1°
 .XXX = ±.005 [.13]

CABLE LENGTH (L), TOLERANCES:

L ≤ 12 [305] = +1 [25] / -0
 12 [305] < L ≤ 60 [1524] = +2 [51] / -0
 60 [1524] < L ≤ 120 [3048] = +4 [102] / -0
 120 [3048] < L ≤ 300 [7620] = +6 [152] / -0
 300 [7620] < L = +5% / -0

ALL DIMENSIONS SHOWN ARE FOR REFERENCE ONLY.

PE PASTERNAK
 an INFINITI[®] brand

Pasternack Enterprises, Inc.
 P. O. Box 16759, Irvine, CA 92623.
 Phone: 1.949.261.1920 | 1.866.727.8376
 Fax: 1.949.261.7451
 Website: www.pasternack.com
 E-mail: sales@pasternack.com

SIZE: A CAGE CODE: 53919 DRAWN BY: BPUCHASKI ITEM NO.: PE38330/HS

THIRD-ANGLE PROJECTION

THE INFORMATION AND DESIGN IN THIS DOCUMENT IS THE PROPERTY OF PASTERNAK CORPORATION ALL RIGHTS RESERVED.

SHEET 1 OF 1

SCALE: N/A

REV: A