



## Mini SMP Female to SMA Female Bulkhead Cable Using PE-SR405FL Coax with HeatShrink in 200CM

### RF Cable Assemblies Technical Data Sheet

**PE38330/HS-200CM**

#### Configuration

- Connector 1: Mini SMP Female
- Connector 2: SMA Female Bulkhead
- Cable Type: PE-SR405FL

#### Features

- Max Frequency 12.4 GHz
- 69.5% Phase Velocity

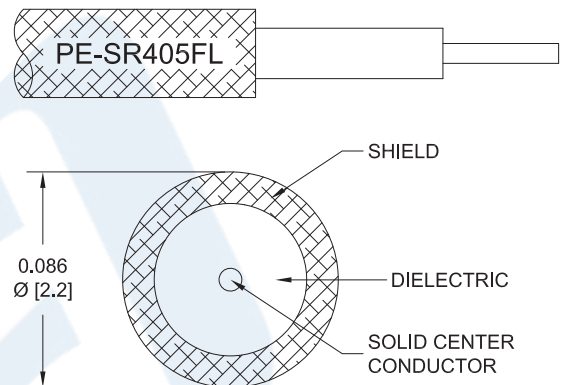
#### Applications

- General Purpose
- Laboratory Use

#### Description

Pasternack's PE38330/HS-200CM Mini SMP female to SMA female bulkhead 200 cm cable using PE-SR405FL coax is part of our full line of RF components available for same-day shipping. Pasternack's formable RF cable assemblies provide an alternative to costly pre-formed semi-rigid assemblies since they are hand formable. This Pasternack Mini SMP to SMA cable assembly has a female to female gender configuration with 50 ohm formable PE-SR405FL coax. The PE38330/HS-200CM Mini SMP female to SMA female cable assembly operates to 12.4 GHz. Our RF cable assembly with SMA bulkhead interface allows designers to create external connections on their product enclosures, and can be used in a variety of other rack mount and panel mount applications.

Custom versions of most RF cable assemblies can be built and shipped same day. Custom cable assembly lengths can be obtained by specifying the desired length on the web site at time of order or by contacting a sales representative. Other available RF cable assembly value added services include connector orientation or clocking, heat shrink booting and custom labeling. RF testing can also be performed to document the electrical performance of your cable assembly.



Click the following link (or enter part number in "SEARCH" on website) to obtain additional part information including price, inventory and certifications: [Mini SMP Female to SMA Female Bulkhead Cable Using PE-SR405FL Coax with Heat-Shrink in 200CM PE38330/HS-200CM](#)



## Mini SMP Female to SMA Female Bulkhead Cable Using PE-SR405FL Coax with HeatShrink in 200CM

### RF Cable Assemblies Technical Data Sheet

**PE38330/HS-200CM**

#### Electrical Specifications

Description	Minimum	Typical	Maximum	Units
Frequency Range	DC		12.4	GHz
VSWR			1.5:1	
Velocity of Propagation		69.5		%
Capacitance		29 [95.14]		pF/ft [pF/m]
DC Resistance Inner Conductor		65.7 [215.55]		$\Omega$ /1000ft [ $\Omega$ /Km]
DC Resistance Outer Conductor		10.2 [33.46]		$\Omega$ /1000ft [ $\Omega$ /Km]

#### Specifications by Frequency

Description	F1	F2	F3	F4	F5	Units
Frequency	0.5	1	2.5	5	12.4	GHz
Insertion Loss (Typ.)	1.12	1.63	2.45	3.82	5.72	

#### Electrical Specification Notes:

The Insertion Loss data above is based on the performance specifications of the coax and connectors used in this assembly. The Insertion Loss includes an estimated insertion loss of 0.1dB for the SMA female connector and 0.05xSQRT(FGHz) for the mini SMP female connector.

#### Mechanical Specifications

##### Cable Assembly

Length\* 78.7402 in [200 cm]

Weight 0.088 lbs [39.92 g]

##### Cable

Cable Type PE-SR405FL

Impedance 50 Ohms

Inner Conductor Type Solid

Inner Conductor Material and Plating Copper Clad Steel, Silver

Dielectric Type PTFE

Number of Shields 1

Outer Conductor Material and Plating Copper, Tin

Repeated Minimum Bend Radius 0.78 in [19.81 mm]

Click the following link (or enter part number in "SEARCH" on website) to obtain additional part information including price, inventory and certifications: [Mini SMP Female to SMA Female Bulkhead Cable Using PE-SR405FL Coax with Heat-Shrink in 200CM PE38330/HS-200CM](#)



Mini SMP Female to SMA Female Bulkhead Cable Using  
PE-SR405FL Coax with HeatShrink in 200CM

**RF Cable Assemblies Technical Data Sheet**

**PE38330/HS-200CM**

**Connectors**

Description	Connector 1	Connector 2
Type	Mini SMP Female	SMA Female Bulkhead
Specification	MIL-STD-348A	MIL-STD-348A
Impedance	50 Ohms	50 Ohms
Contact Material and Plating	Beryllium Copper, Gold	Beryllium Copper, Gold
Contact Plating Specification		50 µin minimum
Dielectric Type	PTFE	PTFE
Body Material and Plating	Beryllium Copper, Gold	Stainless Steel, Gold
Body Plating Specification		30 µin minimum

**Compliance Certifications** (see [product page](#) for current document)

**Plotted and Other Data**

Notes:

- Values at 25°C, sea level.

Click the following link (or enter part number in "SEARCH" on website) to obtain additional part information including price, inventory and certifications: [Mini SMP Female to SMA Female Bulkhead Cable Using PE-SR405FL Coax with Heat-Shrink in 200CM PE38330/HS-200CM](#)



## Mini SMP Female to SMA Female Bulkhead Cable Using PE-SR405FL Coax with HeatShrink in 200CM

### RF Cable Assemblies Technical Data Sheet

### PE38330/HS-200CM

#### How to Order

Part Number Configuration:

PE38330/HS - xx uu

Unit of Measure:  
cm = Centimeters  
<blank> = Inches  
Length  
Base Number

Example: PE38330/HS-12 = 12 inches long cable  
PE38330/HS-100cm = 100 cm long cable

Mini SMP Female to SMA Female Bulkhead Cable Using PE-SR405FL Coax with HeatShrink in 200CM from Pasternack Enterprises has same day shipment for domestic and International orders. Our RF, microwave and millimeter wave products maintain a 99.4% availability and are part of the broadest selection in the industry.

Click the following link (or enter part number in "SEARCH" on website) to obtain additional part information including price, inventory and certifications: [Mini SMP Female to SMA Female Bulkhead Cable Using PE-SR405FL Coax with HeatShrink in 200CM PE38330/HS-200CM](https://www.pasternack.com/mini-smp-female-to-sma-female-bulkhead-cable-using-pe-sr405fl-with-heatshrink-pe38330-hs-200cm)

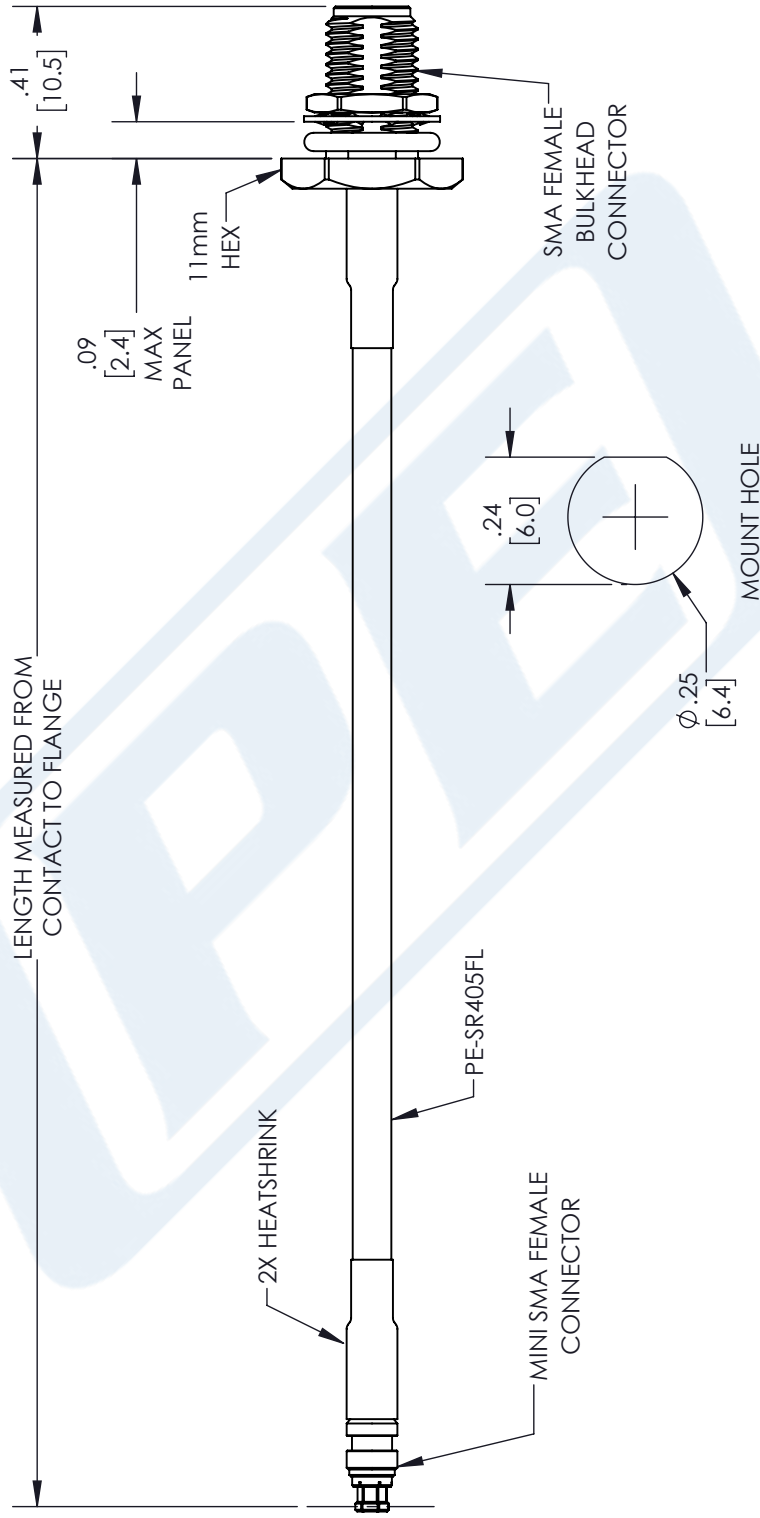
URL: <https://www.pasternack.com/mini-smp-female-to-sma-female-bulkhead-cable-using-pe-sr405fl-with-heatshrink-pe38330-hs-200cm-p.aspx>

The information contained in this document is accurate to the best of our knowledge and representative of the part described herein. It may be necessary to make modifications to the part and/or the documentation of the part, in order to implement improvements. Pasternack reserves the right to make such changes as required. Unless otherwise stated, all specifications are nominal. Pasternack does not make any representation or warranty regarding the suitability of the part described herein for any particular purpose, and Pasternack does not assume any liability arising out of the use of any part or documentation.

# PE38330/HS-200CM CAD Drawing

## Mini SMP Female to SMA Female Bulkhead Cable Using PE-SR405FL Coax with HeatShrink in 200CM

REVISIONS			
REV.	DESCRIPTION	DATE	APPROVED
A	INITIAL RELEASE	08/10/2022	AGANWANI



UNLESS OTHERWISE SPECIFIED LEADING DIMENSIONS ARE INCHES DIMENSIONS IN [ ] ARE MILLIMETERS

**TOLERANCES:**

.X = ±.2 [5.08]    FRACTIONS ± 1/32  
 .XX = ±.02 [ .51]    ANGLES ± 1°  
 .XXX = ±.005 [ .13]

**CABLE LENGTH (L), TOLERANCES:**

L ≤ 12 [305] = +1 [25] / -0  
 12 [305] < L ≤ 60 [1524] = +2 [51] / -0  
 60 [1524] < L ≤ 120 [3048] = +4 [102] / -0  
 120 [3048] < L ≤ 300 [7620] = +6 [152] / -0  
 300 [7620] < L = +5%L / -0

ALL DIMENSIONS SHOWN ARE FOR REFERENCE ONLY.



Pasternack Enterprises, Inc.  
 P. O. Box 16759, Irvine, CA 92623.  
 Phone: 1.949.261.1920 | 1.866.727.8376  
 Fax: 1.949.261.7451  
 Website: www.pasternack.com  
 E-mail: sales@pasternack.com

THIRD-ANGLE PROJECTION		<p>THE INFORMATION AND DESIGN IN THIS DOCUMENT IS THE PROPERTY OF PASTERNAK CORPORATION ALL RIGHTS RESERVED.</p>
SHEET 1 OF 1		SCALE N/A
REV		REV A

THESE COMMODITIES, TECHNOLOGY OR SOFTWARE WERE EXPORTED FROM THE UNITED STATES IN ACCORDANCE WITH THE EXPORT ADMINISTRATION REGULATIONS. DIVERSION CONTRARY TO U.S. LAW PROHIBITED.