



SMA Female Bulkhead to UMCX Plug Cable Using 1.13mm Coax

TECHNICAL DATA SHEET

PE38297

SMA Female Bulkhead to UMCX Plug Cable Using 1.13mm Coax

Configuration

Connector 1	SMA Female Bulkhead
Connector 1 Specification	MIL-STD-348A
Connector 2	UMCX Plug Right Angle
Cable Type	1.13mm

Electrical Specifications

Frequency Range, GHz	DC to 3
Impedance, Ohms	50
Maximum VSWR	1.5:1
Maximum Operating Voltage, Vrms	100
Dielectric Withstanding Voltage (AC), Vrms	200

Mechanical Specifications

Cable Assembly

Cable Type	1.13mm
------------	--------

Temperature

Temperature Operating Range, deg C	-40 to +90
Diameter, in [mm]	0.044 [1.12]
Weight, lbs [g]	0.1 [45.36]

Cable

No of Shields	1
Jacket Material	FEP
Jacket Diameter, in [mm]	0.044 [1.12]

Connector 1

Type	SMA Female Bulkhead
Configuration	Straight
Mount Method	Bulkhead
Inner Conductor Material and Plating	Beryllium Copper, Gold
Body Material and Plating	Brass, Gold
Dielectric Type	Teflon

Connector 2

Type	UMCX Plug Right Angle
Configuration	Right Angle
Inner Conductor Material and Plating	Phosphor Bronze, Gold
Body Material and Plating	Phosphor Bronze, Gold
Dielectric Type	PBT

Click the following link (or enter part number in "SEARCH" on website) to obtain additional part information including price, inventory and certifications: [SMA Female Bulkhead to UMCX Plug Cable Using 1.13mm Coax PE38297](#)

The information contained in this document is accurate to the best of our knowledge and representative of the part described herein. It may be necessary to make modifications to the part and/or the documentation of the part, in order to implement improvements. Pasternack reserves the right to make such changes as required. Unless otherwise stated, all specifications are nominal.



SMA Female Bulkhead to UMCX Plug Cable Using 1.13mm Coax

TECHNICAL DATA SHEET

PE38297

Compliance Certifications (visit www.Pasternack.com for current document)

Plotted and Other Data

Notes:

Values at 25 °C, sea level

SMA Female Bulkhead to UMCX Plug Cable Using 1.13mm Coax from Pasternack Enterprises has same day shipment for domestic and International orders. Our RF, microwave and fiber optic products maintain a 99% availability and are part of the broadest selection in the industry.

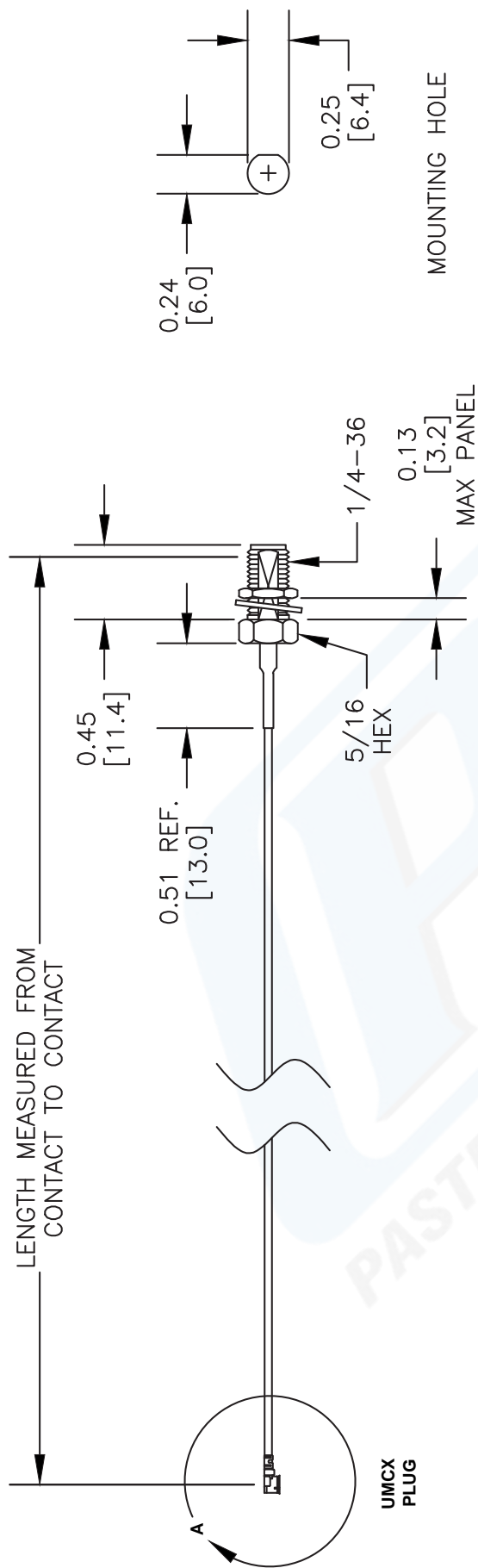
Click the following link (or enter part number in "SEARCH" on website) to obtain additional part information including price, inventory and certifications: [SMA Female Bulkhead to UMCX Plug Cable Using 1.13mm Coax PE38297](http://www.pasternack.com/sma-female-bulkhead-to-umcx-plug-cable-using-1.13mm-coax-pe38297)

URL: <http://www.pasternack.com/sma-female-bulkhead-to-umcx-plug-cable-using-1.13mm-coax-p.aspx>

The information contained in this document is accurate to the best of our knowledge and representative of the part described herein. It may be necessary to make modifications to the part and/or the documentation of the part, in order to implement improvements. Pasternack reserves the right to make such changes as required. Unless otherwise stated, all specifications are nominal.

PE38297 CAD Drawing

SMA Female Bulkhead to UMCX Plug Cable Using 1.13mm Coax



SMA FEMALE BULKHEAD

UMCX connectors are similar to U.F.L.*
*U.F.L. is a Registered Trademark of Hirose Electronic Group

View A

Part # Ext.	Length in Inches	Part # Ext.	Length in Centimeters
-6	6"	-	-
-12	12"	-	-
-18	18"	-	-
-XX	Custom Length	-	-
	24" Max Length	-	-
		-XXCM	Custom Length

NOTES:

1. UNLESS OTHERWISE SPECIFIED ALL DIMENSIONS ARE NOMINAL.
2. ALL SPECIFICATIONS ARE SUBJECT TO CHANGE WITHOUT NOTICE AT ANY TIME.
3. DIMENSIONS ARE IN INCHES (mm)
4. LENGTH TOLERANCE IS ±1.5% OR 3/8", WHICHEVER IS GREATER.

DWG TITLE

PE38297

How To Order

Part Number Configuration: **PE3** [ZZZ] [YY] - [XX] [UU]

00 - 99999
 LF = Lead Free
 < Blank > = Standard
 Note: LF applies only to RF cables

CM = Centimeters
 < Blank > = Inches
 Length

PE PASTERNAK®

Pasternack Enterprises, Inc.
 P.O. Box 16759 | Irvine | CA | 92623
 Phone: (949) 261-1920 | Fax: (949) 261-7451
 Website: www.pasternack.com | E-Mail: sales@pasternack.com

FSCM NO. 53919

REV. C

CAD FILE

SCALE

N/A

SIZE

A

2233