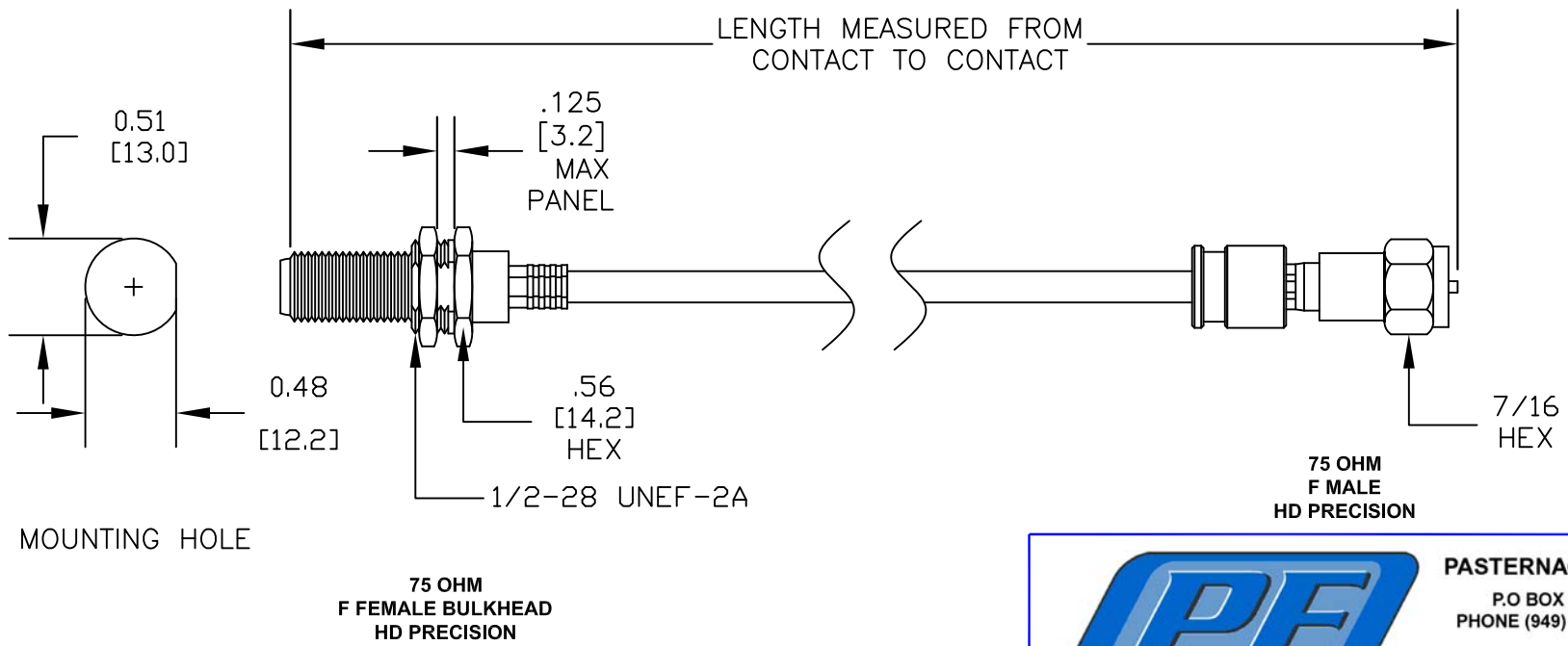


COMPONENTS	IMPEDANCE
F FEMALE BULKHEAD	75 OHM
F MALE	75 OHM
PE-B159	75 OHM

Part Configurator	
1. Replace ZZ with color codes.	
2. Replace XX with length in inches.	
Standard Lengths	
-12	12"
-24	24"
-36	36"
-48	48"
-60	60"
-XXX	Custom Length in inches

Color Codes	
BK	Black
BL	Blue
GR	Green
RD	Red
WH	White
YW	Yellow



PASTERNAK ENTERPRISES, INC.

P.O BOX 16759, IRVINE, CA 92623
PHONE (949) 261-1920 FAX (949) 261-7451

WEB ADDRESS: www.pasternack.com
E-MAIL ADDRESS: sales@pasternack.com

COAXIAL & FIBER OPTICS

DWG TITLE	DES.
PE38138/ZZ-XX	CABLE ASSEMBLY, PE-B159, 75 OHM HD PRECISION, F FEMALE BULKHEAD TO F MALE

REV. D	FSCM NO. 53919	CAD FILE 082411	SCALE N/A	SIZE A	2231
--------	----------------	-----------------	-----------	--------	------

- NOTES:**
- UNLESS OTHERWISE SPECIFIED ALL DIMENSIONS ARE NOMINAL.
 - ALL SPECIFICATIONS ARE SUBJECT TO CHANGE WITHOUT NOTICE AT ANY TIME.
 - DIMENSIONS ARE IN INCHES [mm].
 - LENGTH TOLERANCE IS ± 1.5% OR 3/8", WHICHEVER IS GREATER.