



MMCX Plug Right Angle to BNC Female Bulkhead Cable Using RG174 Coax

RF Cable Assemblies Technical Data Sheet

PE36738

Configuration

- Connector 1: MMCX Plug Right Angle
- Connector 2: BNC Female Bulkhead
- Cable Type: RG174

Features

- Max Frequency 1 GHz
- 66% Phase Velocity
- PVC Jacket

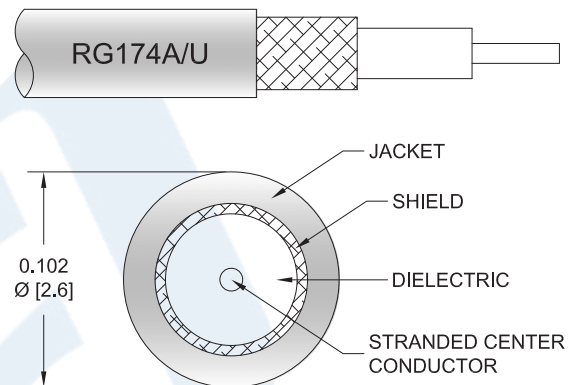
Applications

- General Purpose
- Laboratory Use

Description

Pasternack's PE36738 MMCX plug right angle to BNC female bulkhead cable using RG174 coax is part of our full line of RF components available for same-day shipping. Pasternack's flexible RF cable assemblies are ideal for applications where tight bends and flexure are required. This Pasternack MMCX to BNC cable assembly has a plug to female gender configuration with 50 ohm flexible RG174 coax. The PE36738 MMCX plug to BNC female cable assembly operates to 1 GHz. The right angle MMCX interface on the RG174 cable allows for easier connections in tight spaces. Our RF cable assembly with BNC bulkhead interface allows designers to create external connections on their product enclosures, and can be used in a variety of other rack mount and panel mount applications.

Custom versions of most RF cable assemblies can be built and shipped same day. Custom cable assembly lengths can be obtained by specifying the desired length on the web site at time of order or by contacting a sales representative. Other available RF cable assembly value added services include connector orientation or clocking, heat shrink booting and custom labeling. RF testing can also be performed to document the electrical performance of your cable assembly.



Click the following link (or enter part number in "SEARCH" on website) to obtain additional part information including price, inventory and certifications: [MMCX Plug Right Angle to BNC Female Bulkhead Cable Using RG174 Coax PE36738](#)



MMCX Plug Right Angle to BNC Female
Bulkhead Cable Using RG174 Coax

RF Cable Assemblies Technical Data Sheet

PE36738

Electrical Specifications

Description	Minimum	Typical	Maximum	Units
Frequency Range	DC		1,000	MHz
VSWR			1.65:1	
Velocity of Propagation		66		%
Capacitance		30.8 [101.05]		pF/ft [pF/m]

Specifications by Frequency

Description	F1	F2	F3	F4	F5	Units
Frequency	50	100	250	500	1,000	MHz
Insertion Loss (Typ.)	0.042	0.084	0.137	0.212	0.32	dB/ft
	0.14	0.28	0.45	0.7	1.05	

Electrical Specification Notes:

Insertion Loss does not include the loss of the connectors. Insertion Loss is estimated as 0.1 dB per connector.

Mechanical Specifications

Cable Assembly

Diameter	0.689 in [17.5 mm]
Weight	0.052 lbs [23.59 g]

Cable

Cable Type	RG174
Impedance	50 Ohms
Inner Conductor Type	Stranded
Inner Conductor Material and Plating	Copper Clad Steel
Dielectric Type	PE (LD)
Number of Shields	1
Shield Layer 1	Tinned Copper Braid
Jacket Material	PVC, Black
Jacket Diameter	0.1 in [2.54 mm]

Click the following link (or enter part number in "SEARCH" on website) to obtain additional part information including price, inventory and certifications: [MMCX Plug Right Angle to BNC Female Bulkhead Cable Using RG174 Coax PE36738](#)



MMCX Plug Right Angle to BNC Female Bulkhead Cable Using RG174 Coax

RF Cable Assemblies Technical Data Sheet

PE36738

Connectors

Description	Connector 1	Connector 2
Type	MMCX Plug Right Angle	BNC Female Bulkhead
Specification	BS EN 122340	
Impedance	50 Ohms	50 Ohms
Contact Material and Plating	Brass, Gold	Brass, Gold
Contact Plating Specification	30µ in. minimum	30µ in. minimum
Dielectric Type	Teflon	PTFE
Body Material and Plating	Brass, Gold	Brass, Nickel
Body Plating Specification	3µ in. minimum	100µ in. minimum

Compliance Certifications (see [product page](#) for current document)

Plotted and Other Data

Notes:

- Values at 25°C, sea level.

Click the following link (or enter part number in "SEARCH" on website) to obtain additional part information including price, inventory and certifications: [MMCX Plug Right Angle to BNC Female Bulkhead Cable Using RG174 Coax PE36738](#)



MMCX Plug Right Angle to BNC Female Bulkhead Cable Using RG174 Coax

RF Cable Assemblies Technical Data Sheet

PE36738

How to Order

Part Number Configuration:

PE36738

- xx

uu

Unit of Measure:

cm = Centimeters

<blank> = Inches

Length

Base Number

Example: PE36738-12 = 12 inches long cable
PE36738-100cm = 100 cm long cable

MMCX Plug Right Angle to BNC Female Bulkhead Cable Using RG174 Coax from Pasternack Enterprises has same day shipment for domestic and International orders. Our RF, microwave and millimeter wave products maintain a 99.4% availability and are part of the broadest selection in the industry.

Click the following link (or enter part number in "SEARCH" on website) to obtain additional part information including price, inventory and certifications: [MMCX Plug Right Angle to BNC Female Bulkhead Cable Using RG174 Coax PE36738](#)

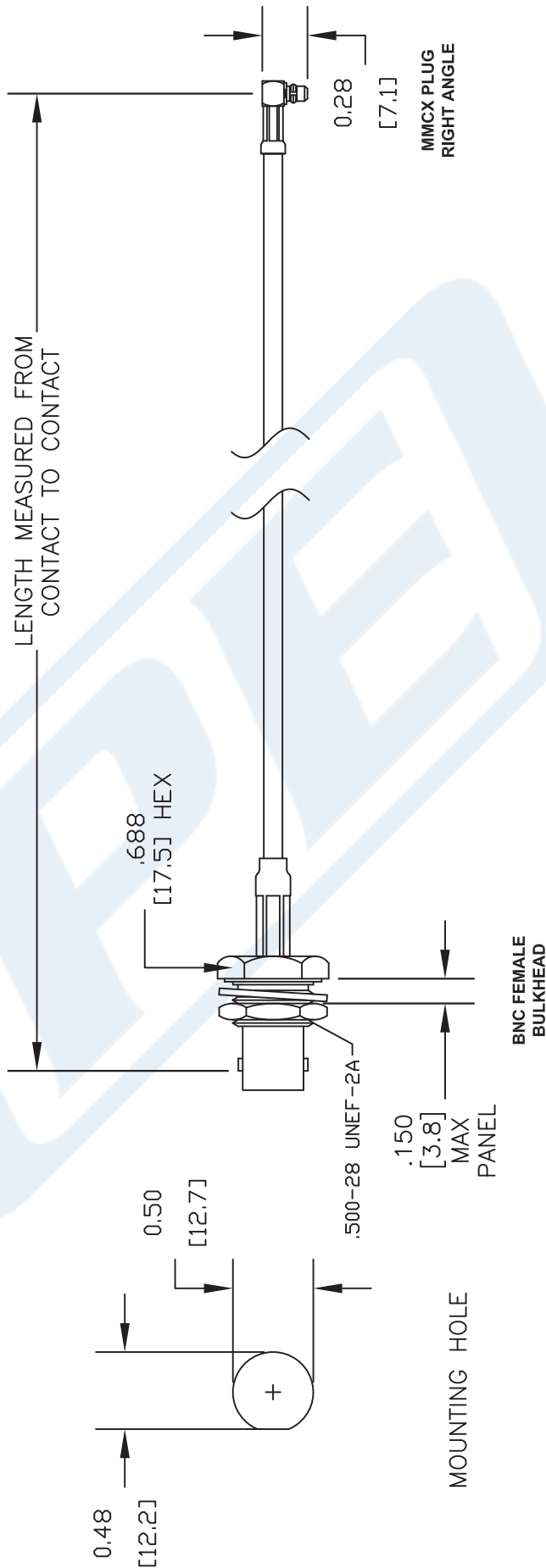
URL: <https://www.pasternack.com/mmcx-plug-bnc-female-rg174au-cable-assembly-pe36738-p.aspx>

The information contained in this document is accurate to the best of our knowledge and representative of the part described herein. It may be necessary to make modifications to the part and/or the documentation of the part, in order to implement improvements. Pasternack reserves the right to make such changes as required. Unless otherwise stated, all specifications are nominal. Pasternack does not make any representation or warranty regarding the suitability of the part described herein for any particular purpose, and Pasternack does not assume any liability arising out of the use of any part or documentation.

PE36738 CAD Drawing

MMCX Plug Right Angle to BNC Female Bulkhead Cable Using RG174 Coax

Standard Lengths	
-12	12"
-24	24"
-36	36"
-48	48"
-60	60"
-XXX	Custom Length in Inches



NOTES:
 1. UNLESS OTHERWISE SPECIFIED ALL DIMENSIONS ARE NOMINAL.
 2. ALL SPECIFICATIONS ARE SUBJECT TO CHANGE WITHOUT NOTICE AT ANY TIME.
 3. DIMENSIONS ARE IN INCHES [mm].
 4. LENGTH TOLERANCE IS $\pm 1.5\%$ OR $3/8"$, WHICHEVER IS GREATER.

DWG TITLE
PE36738-XX

PE PASTERNAK®
 Pasternack Enterprises, Inc.
 P.O. Box 16759 | Irvine | CA | 92623
 Phone: (949) 261-1920 | Fax: (949) 261-7451
 Website: www.pasternack.com | E-Mail: sales@pasternack.com

REV. -	FSCM NO. 53919	CAD FILE 021907	SCALE N/A	SIZE A	127
--------	----------------	-----------------	-----------	--------	-----