

## TNC Female Bulkhead to TNC Male Cable Using RG58 Coax, LF Solder



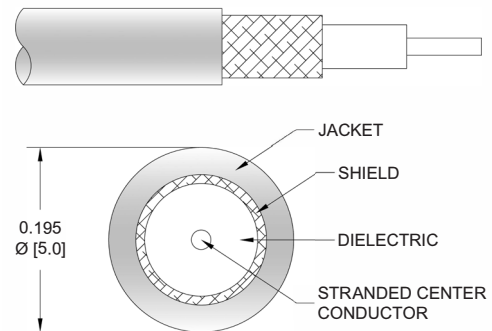
### PE33064LF

#### Configuration

- Connector 1: TNC Female Bulkhead
- Connector 2: TNC Male
- Cable Type: RG58
- Coax Flex Type: Flexible

#### Features

- Max Frequency 4 GHz
- 65.9% Phase Velocity
- PVC (NC) Jacket



#### Applications

- General Purpose
- Laboratory Use

#### Description

Pasternack's PE33064LF TNC female bulkhead to TNC male cable using RG58 coax is part of our full line of RF components available for same-day shipping. Pasternack's flexible RF cable assemblies are ideal for applications where tight bends and flexure are required. This Pasternack TNC to TNC cable assembly has a female to male gender configuration with 50 ohm flexible RG58 coax. The PE33064LF TNC female to TNC male cable assembly operates to 4 GHz. Our RF cable assembly with TNC bulkhead interface allows designers to create external connections on their product enclosures, and can be used in a variety of other rack mount and panel mount applications.

Custom versions of most RF cable assemblies can be built and shipped same day. Custom cable assembly lengths can be obtained by specifying the desired length on the web site at time of order or by contacting a sales representative. Other available RF cable assembly value added services include connector orientation or clocking, heat shrink booting and custom labeling. RF testing can also be performed to document the electrical performance of your cable assembly.

#### Electrical Specifications

Description	Minimum	Typical	Maximum	Units
Frequency Range	DC		4	GHz
VSWR			1.4:1	
Velocity of Propagation		65.9		%
Capacitance		30.8 [101.05]		pF/ft [pF/m]
Operating Voltage (AC)			500	Vrms

#### Specifications by Frequency

TNC Female Bulkhead to TNC Male Cable  
Using RG58 Coax, LF Solder



**PE33064LF**

Part Number	Length	Description	F1	F2	F3	F4	F5	Units	Weight (lbs)
			Frequency		100	250	500	1000	
PE33064LF	Custom Lengths Available	Insertion Loss (Typ.)	0.05	0.07	0.116	0.2	0.5	dB/ft	
			0.17	0.25	0.39	0.66	1.65	dB/m	
PE33064LF-12	12 inch	Insertion Loss (Typ.)	0.25	0.28	0.32	0.4	0.7	dB	0.089
PE33064LF-24	24 inch	Insertion Loss (Typ.)	0.3	0.35	0.44	0.6	1.2	dB	0.113
PE33064LF-36	36 inch	Insertion Loss (Typ.)	0.35	0.43	0.55	0.8	1.7	dB	0.137
PE33064LF-48	48 inch	Insertion Loss (Typ.)	0.4	0.5	0.67	1	2.2	dB	0.161
PE33064LF-200CM	200 cm	Insertion Loss (Typ.)	0.53	0.69	0.97	1.52	3.49	dB	0.219

The insertion loss data for the base model does not include loss due to the connectors. Each length includes insertion loss due to the connectors.

Loss due to Connector 1: 0.1 dB  
 Loss due to Connector 2: 0.1 dB  
 Base Weight: 0.089 pounds  
 Additional Weight per Inch: 0.002 pounds

**Mechanical Specifications**

**Cable Assembly**

Width/Diameter: 0.5 in [12.7 mm]  
 Weight: 0.089 lbs [40.37 g]

**Cable**

Cable Type: RG58  
 Impedance: 50 Ohms  
 Inner Conductor Type: Stranded  
 Inner Conductor Material and Plating: Copper, Tin  
 Dielectric Type: PE  
 Number of Shields: 1  
 Shield Layer 1: Tinned Copper Braid  
 Jacket Material: PVC (NC), Black  
 Jacket Diameter: 0.195 in [4.95 mm]  
 One Time Minimum Bend Radius: 0.98 in [24.89 mm]  
 Repeated Minimum Bend Radius: 1.96 in [49.78 mm]

TNC Female Bulkhead to TNC Male Cable  
Using RG58 Coax, LF Solder



**PE33064LF**

**Connectors**

Description	Connector 1	Connector 2
Type	TNC Female Bulkhead	TNC Male
Specification	MIL-STD-348A	
Impedance	50 Ohms	50 Ohms
Configuration	Straight	Straight
Contact Material and Plating	Brass, Gold	Brass, Gold
Contact Plating Specification	30 µin minimum	30 µin minimum
Dielectric Type	PTFE	PTFE
Body Material and Plating	Brass, Nickel	Brass, Nickel
Body Plating Specification	100 µin minimum	100 µin minimum
Coupling Nut Material and Plating		Brass, Nickel
Coupling Nut Plating Specification		100 µin minimum

**Environmental Specifications**

Operating Range Temperature -40 to +80 deg C

**Compliance Certifications** (see [product page](#) for current document)

**Plotted and Other Data**

Notes:

## TNC Female Bulkhead to TNC Male Cable Using RG58 Coax, LF Solder

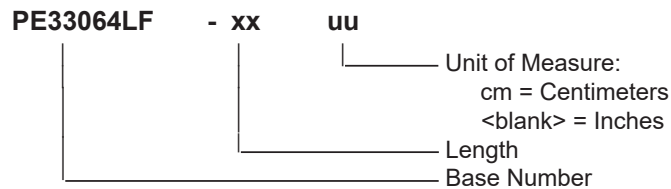


### PE33064LF

#### Typical Performance Data

#### How to Order

Part Number Configuration:



Example: PE33064LF-12 = 12 inches long cable  
PE33064LF-100cm = 100 cm long cable

TNC Female Bulkhead to TNC Male Cable Using RG58 Coax, LF Solder from Pasternack Enterprises has same day shipment for domestic and International orders. Our RF, microwave and millimeter wave products maintain a 99.4% availability and are part of the broadest selection in the industry.

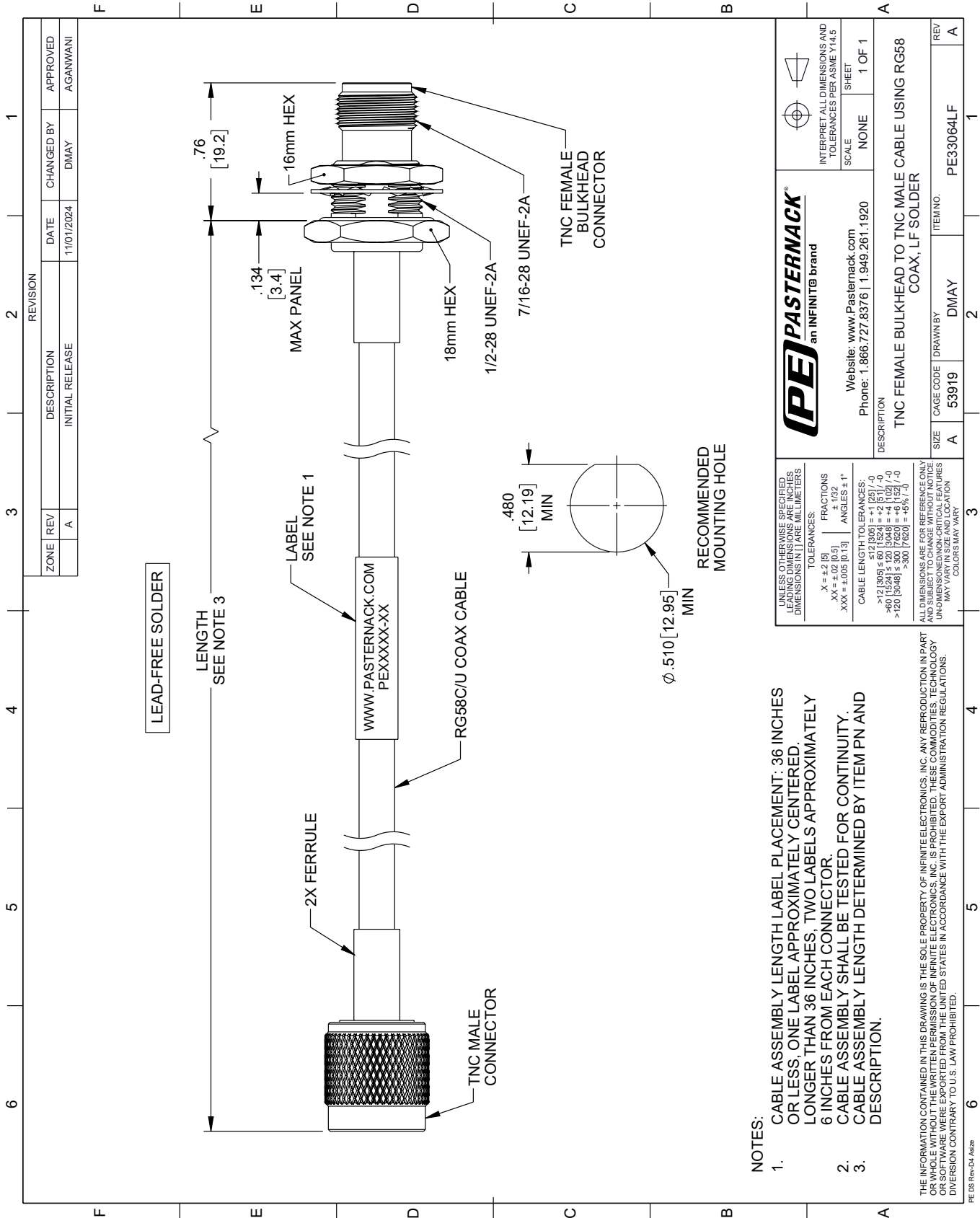
Click the following link (or enter part number in "SEARCH" on website) to obtain additional part information including price, inventory and certifications: [TNC Female Bulkhead to TNC Male Cable Using RG58 Coax, LF Solder PE33064LF](#)

URL: <https://www.pasternack.com/tnc-female-bulkhead-to-tnc-male-cable-using-rg58-lf-solder-pe33064lf-p.aspx>

The information contained within this document is accurate to the best of our knowledge and representative of the part described herein. It may be necessary to make modifications to the part and/or the documentation of the part in order to implement improvements. Pasternack Enterprises reserves the right to make such changes as required. Unless otherwise stated, all specifications are nominal. Pasternack Enterprises does not make any representation or warranty regarding the suitability of the part described herein for any particular purpose, and Pasternack Enterprises does not assume liability arising out of the use of any part or document.

# PE33064LF CAD Drawing

TNC Female Bulkhead to TNC Male Cable Using RG58 Coax, LF Solder



LEAD-FREE SOLDER

LENGTH  
SEE NOTE 3

LABEL  
SEE NOTE 1

WWW.PASTERNAK.COM  
PEXXXX-XX

RG58C/U COAX CABLE

TNC MALE  
CONNECTOR

MAX PANEL

.134  
[3.4]

.76  
[19.2]

16mm HEX

18mm HEX

1/2-28 UNEF-2A

7/16-28 UNEF-2A

TNC FEMALE  
BULKHEAD  
CONNECTOR

.480  
[12.19]  
MIN

Ø .510 [12.95]  
MIN

RECOMMENDED  
MOUNTING HOLE

## NOTES:

1. CABLE ASSEMBLY LENGTH LABEL PLACEMENT: 36 INCHES OR LESS, ONE LABEL APPROXIMATELY CENTERED. LONGER THAN 36 INCHES, TWO LABELS APPROXIMATELY 6 INCHES FROM EACH CONNECTOR.
2. CABLE ASSEMBLY SHALL BE TESTED FOR CONTINUITY.
3. CABLE ASSEMBLY LENGTH DETERMINED BY ITEM PN AND DESCRIPTION.

THE INFORMATION CONTAINED IN THIS DRAWING IS THE SOLE PROPERTY OF INFINITE ELECTRONICS, INC. ANY REPRODUCTION IN PART OR WHOLE WITHOUT THE WRITTEN PERMISSION OF INFINITE ELECTRONICS, INC. IS PROHIBITED. THESE COMMODITIES, TECHNOLOGY OR SERVICE ARE EXPORTED FROM THE UNITED STATES IN ACCORDANCE WITH THE EXPORT ADMINISTRATION REGULATIONS. DIVERSION CONTRARY TO U.S. LAW PROHIBITED.

		INTERPRET ALL DIMENSIONS AND TOLERANCES PER ASME Y14.5 SCALE: NONE SHEET: 1 OF 1	
Website: <a href="http://www.Pastermack.com">www.Pastermack.com</a> Phone: 1.866.727.8376   1.949.261.1920		DESCRIPTION: TNC FEMALE BULKHEAD TO TNC MALE CABLE USING RG58 COAX, LF SOLDER ITEM NO.: PE33064LF	
UNLESS OTHERWISE SPECIFIED, LEADING DIMENSIONS ARE IN INCHES, DIMENSIONS IN [ ] ARE MILLIMETERS.	TOLERANCES: .X = ±.2 [5] .XX = ±.02 [0.5] .XXX = ±.005 [0.13]	FRACTIONS: ± 1/32 ANGLES ± 1°	CABLE LENGTH TOLERANCES: >12 [305] ≤ 60 [1524] = ±1 [25] / -0 >60 [1524] ≤ 120 [3048] = ±4 [102] / -0 >120 [3048] ≤ 300 [7620] = ±6 [152] / -0
ALL DIMENSIONS ARE FOR REFERENCE ONLY. UNDIMENSIONS/NON-CRITICAL FEATURES MAY VARY IN SIZE AND LOCATION. COLORS MAY VARY.		SIZE: A CAGE CODE: 53919 DRAWN BY: DMAY	REV: A SHEET: 1 OF 1