



Directional 30 dB N Coupler From 2 GHz to 4 GHz Rated to 600 Watts

Couplers Technical Data Sheet

PE2227-30

Electrical Specifications

Description	Minimum	Typical	Maximum	Units
Frequency Range	2		4	GHz
Impedance		50		Ohms
Coupling		30 ±1		dB
Frequency Sensitivity			±0.7	dB
Insertion Loss			0.2	dB
Directivity	18			dB
Main Line VSWR			1.15:1	
Input Power (CW)			600	Watts
Input Power (Peak)			10	kWatts

Electrical Specification Notes:
Values at 25°C, sea level.

Mechanical Specifications

Size

Length	4 in [101.6 mm]
Width/Dia.	0.8 in [20.32 mm]
Height	1.6 in [40.64 mm]
Weight	0.3385 lbs [153.54 g]

Configuration

Input Connector	N Female
Output Connector	N Female
Coupled Connectors	SMA Female

Compliance Certifications (see [product page](#) for current document)

Plotted and Other Data

Notes:

- Values at 25°C, sea level.

Click the following link (or enter part number in "SEARCH" on website) to obtain additional part information including price, inventory and certifications: [Directional 30 dB N Coupler From 2 GHz to 4 GHz Rated to 600 Watts PE2227-30](#)



Directional 30 dB N Coupler From 2 GHz to 4 GHz Rated to 600 Watts

Couplers Technical Data Sheet

PE2227-30

Directional 30 dB N Coupler From 2 GHz to 4 GHz Rated to 600 Watts from Pasternack Enterprises has same day shipment for domestic and International orders. Our RF, microwave and millimeter wave products maintain a 99.4% availability and are part of the broadest selection in the industry.

Click the following link (or enter part number in "SEARCH" on website) to obtain additional part information including price, inventory and certifications: [Directional 30 dB N Coupler From 2 GHz to 4 GHz Rated to 600 Watts PE2227-30](https://www.pasternack.com/directional-30-db-n-coupler-2-4-ghz-600-watts-pe2227-30-p.aspx)

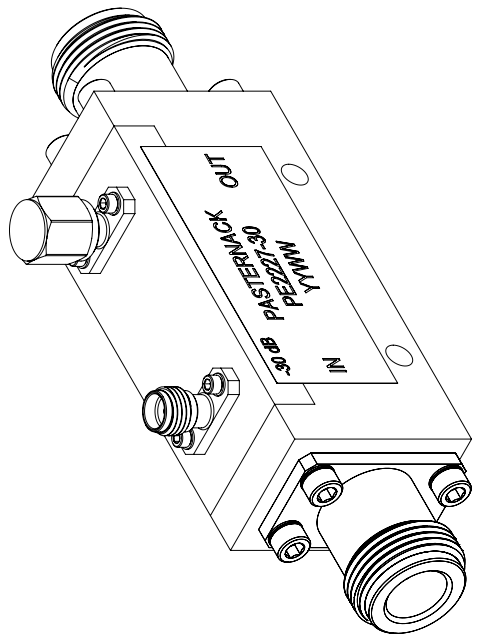
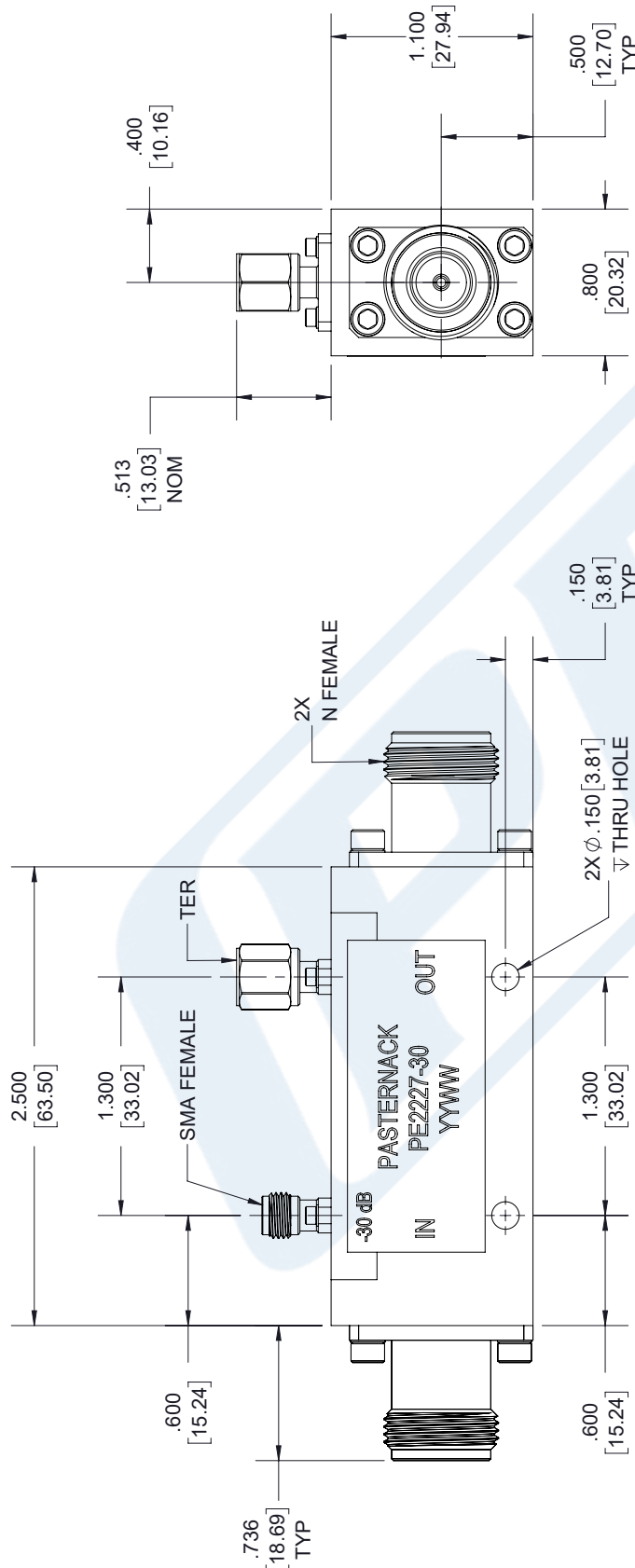
URL: <https://www.pasternack.com/directional-30-db-n-coupler-2-4-ghz-600-watts-pe2227-30-p.aspx>

The information contained in this document is accurate to the best of our knowledge and representative of the part described herein. It may be necessary to make modifications to the part and/or the documentation of the part, in order to implement improvements. Pasternack reserves the right to make such changes as required. Unless otherwise stated, all specifications are nominal. Pasternack does not make any representation or warranty regarding the suitability of the part described herein for any particular purpose, and Pasternack does not assume any liability arising out of the use of any part or documentation.

PE2227-30 CAD Drawing

Directional 30 dB N Coupler From 2 GHz to 4 GHz Rated to 600 Watts

REVISIONS			
REV.	DESCRIPTION	DATE	APPROVED
1.3	PCR PE2227-30 20190523	06/13/19	J.GARCIA



UNLESS OTHERWISE SPECIFIED
LEADING DIMENSIONS ARE INCHES
DIMENSIONS IN [] ARE MILLIMETERS

TOLERANCES:
X±± 2 [5.08] FRACTIONS
XX±± .01 [.25] ±132
.XXX±± .005 [.13] ANGLES ± 1°

ALL DIMENSIONS SHOWN
ARE FOR REFERENCE ONLY.

THIRD-ANGLE PROJECTION

PE PASTERNAK
an INFINITO brand

Pasternack Enterprises, Inc.
P.O. Box 16759, Irvine, CA 92623.
Phone: 1.949.261.1920 | 1.866.727.8376
Fax: 1.949.261.7451
www.pasternack.com | e-mail: sales@pasternack.com

THE INFORMATION AND DESIGN IN THIS DOCUMENT IS THE PROPERTY OF PASTERNAK CORPORATION. ALL RIGHTS RESERVED.

SHEET 1 OF 1
SCALE N/A

SIZE A
CAGE DRAWN BY
53919 K.DANG
PART NUMBER
PE2227-30
REV 1.3

THESE COMMODITIES, TECHNOLOGY OR SOFTWARE WERE EXPORTED FROM THE UNITED STATES IN ACCORDANCE WITH THE EXPORT ADMINISTRATION REGULATIONS. DIVERSION CONTRARY TO U.S. LAW PROHIBITED.