



2 Way N Power Divider from 617 MHz
to 2.7 GHz Rated at 30 Watts

Power Dividers Technical Data Sheet

PE20DV1032A

Features

- 30 watt CW Rating
- 617 to 2,700 MHz
- High Power
- N Type Female Connector
- Mounting Bracket

Applications

- Indoor/Outdoor Use (IP67)
- Base Station
- 4G/LTE/AWS/PCS/PMR/UMTS/
- TETRA/WiFi/WiMAX
- Distributed Antenna Systems (DAS)
- Wireless Infrastructure

Description

The PE20DV1032A is a 2 way Wilkinson Power Divider with N Type Female connectors rated to 30 watt CW.

Pasternack's family of Power Dividers are designed without solder joints and a unique construction allows for exceptional performance within the 617 to 2,700 MHz frequency range. They are offered in a range of output port options to allow flexibility in the design of your DAS system. They can be used indoor or outdoor as they meet the moisture requirements of IP67. They are available in two different connector types: N and Mini DIN 4.1/9.5.

Electrical Specifications

Design: Wilkinson
Number of Output Ports: 2

Description	Minimum	Typical	Maximum	Units
Frequency Range	0.617		2.7	GHz
Impedance		50		Ohms
Input VSWR			1.3:1	
Output VSWR			1.2:1	
Insertion Loss			0.5	dB
Isolation	21			dB
Input Power (CW)			30	Watts
Reverse Power (CW)			0.4	Watts

Click the following link (or enter part number in "SEARCH" on website) to obtain additional part information including price, inventory and certifications: [2 Way N Power Divider from 617 MHz to 2.7 GHz Rated at 30 Watts PE20DV1032A](#)



2 Way N Power Divider from 617 MHz to 2.7 GHz Rated at 30 Watts

Power Dividers Technical Data Sheet

PE20DV1032A

Specifications by Frequency

Description	F1	F2	F3	F4	F5	Units
Frequency Range	0.617 to 0.698	0.698 to 2.7				GHz
Input VSWR, Max	1.3:1	1.2:1				
Output VSWR, Max	1.2:1	1.2:1				
Insertion Loss, Max	0.3	0.5				dB
Isolation, Min	21	22				dB

Mechanical Specifications

Housing Material and Plating	Aluminum, Chem Film
Configuration	
Package Type	Connectorized
Input Connector	N Female
Output Connectors	N Female
Ingress Protection (IP) Rating	IP67

Compliance Certifications (see [product page](#) for current document)

Plotted and Other Data

Notes:

2 Way N Power Divider from 617 MHz to 2.7 GHz Rated at 30 Watts from Pasternack Enterprises has same day shipment for domestic and International orders. Our RF, microwave and millimeter wave products maintain a 99.4% availability and are part of the broadest selection in the industry.

Click the following link (or enter part number in "SEARCH" on website) to obtain additional part information including price, inventory and certifications: [2 Way N Power Divider from 617 MHz to 2.7 GHz Rated at 30 Watts PE20DV1032A](#)

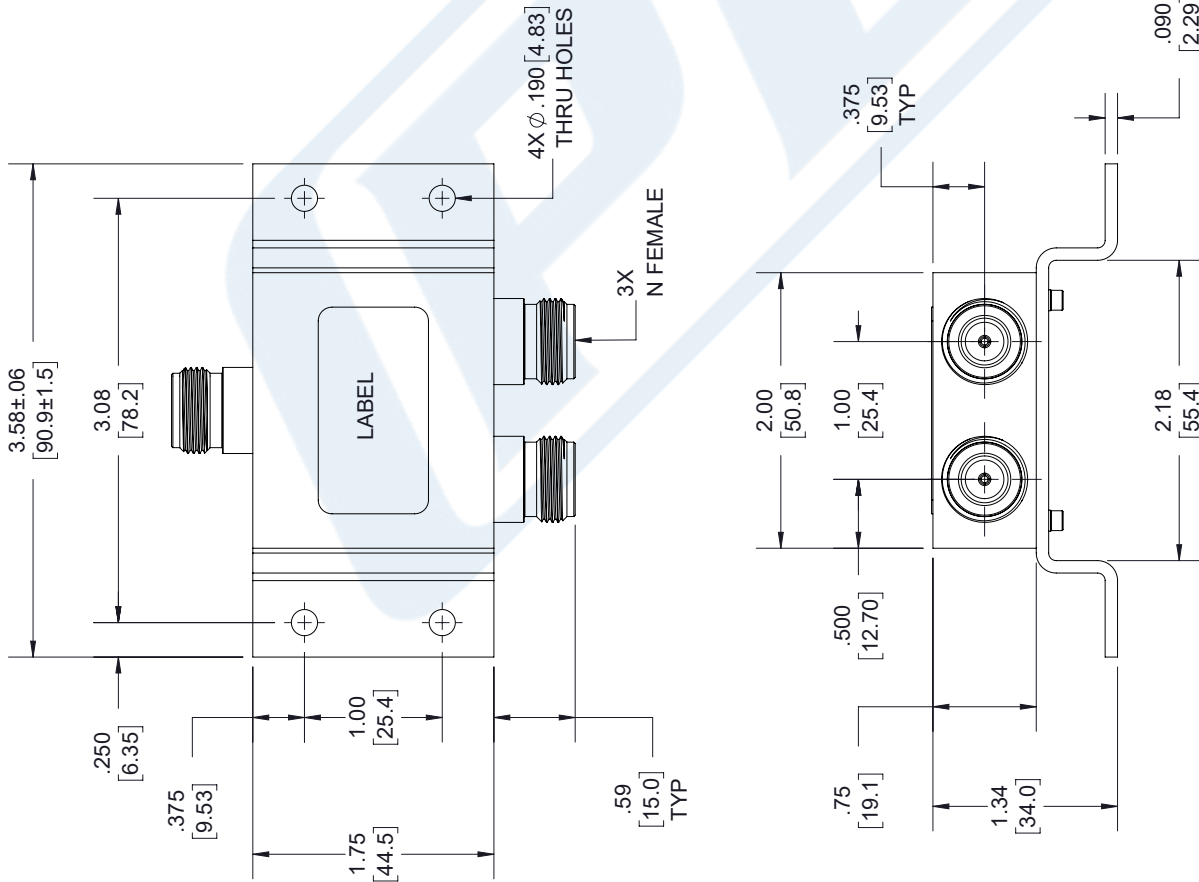
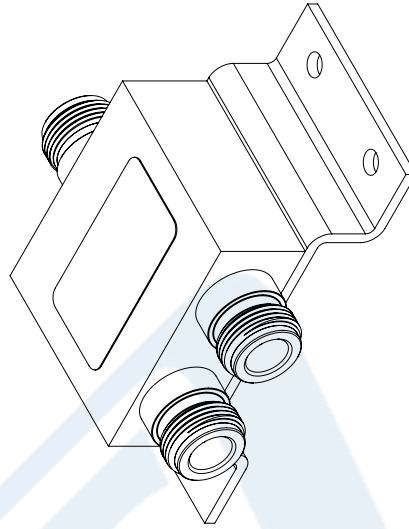
URL: <https://www.pasternack.com/2-way-n-power-divider-2.7-ghz-pe20dv1032a-p.aspx>

The information contained in this document is accurate to the best of our knowledge and representative of the part described herein. It may be necessary to make modifications to the part and/or the documentation of the part, in order to implement improvements. Pasternack reserves the right to make such changes as required. Unless otherwise stated, all specifications are nominal. Pasternack does not make any representation or warranty regarding the suitability of the part described herein for any particular purpose, and Pasternack does not assume any liability arising out of the use of any part or documentation.

PE20DV1032A CAD Drawing

2 Way N Power Divider from 617 MHz to 2.7 GHz Rated at 30 Watts

REV.	DESCRIPTION	DATE	APPROVED
A	INITIAL RELEASE	01/28/19	S.PONG



LABEL:



PE20DV1032A
 D/C: XXYY
 OUTPUT(s)

UNLESS OTHERWISE SPECIFIED
LEADING DIMENSIONS ARE INCHES
DIMENSIONS IN [] ARE MILLIMETERS

TOLERANCES:
 X±.2 [5.08] FRACTIONS
 .XX±.01 [.25] ±.132
 .XXX±.005 [.13] ANGLES ± 1°

ALL DIMENSIONS SHOWN
ARE FOR REFERENCE ONLY.

THIRD-ANGLE PROJECTION




PASTERNAK
 an INFINITO brand
 Pasternack Enterprises, Inc.
 P.O. Box 16759, Irvine, CA 92623.
 Phone: 1.949.261.1920 | 1.866.727.8376
 Fax: 1.949.261.7451
 www.pasternack.com | e-mail: sales@pasternack.com

SHEET 1 OF 1
 SCALE N/A

CAGE 53919
 DRAWN BY KDANG
 PART NUMBER PE20DV1032A
 REV A

THE INFORMATION AND
 DESIGN IN THIS DOCUMENT
 IS THE PROPERTY OF
 PASTERNAK CORPORATION.
 ALL RIGHTS RESERVED.

THESE COMMODITIES, TECHNOLOGY OR SOFTWARE WERE EXPORTED FROM THE UNITED STATES IN ACCORDANCE WITH THE EXPORT ADMINISTRATION REGULATIONS. DIVERSION CONTRARY TO U.S. LAW PROHIBITED.