



## N Female Bulkhead Mount Hermetically Sealed Connector Solder Attachment Terminal

### RF Connectors Technical Data Sheet

**PE1956**

#### Configuration

- N Female Connector
- 50 Ohms
- Straight Body Geometry
- Bulkhead

#### Features

- Max. Operating Frequency 18 GHz
- Good VSWR of 1.3:1
- Gold over Nickel over Copper Plated Beryllium Copper
- Contact
- Hermetically Sealed

#### Applications

- General Purpose Test
- Rack and Panel Mount Applications

#### Description

Pasternack's PE1956 type N, N, Hermetically Sealed, connector with solder/solder attachment terminal is part of our full line of RF components available for same-day shipping. Our type N female connector operates up to a maximum frequency of 13 GHz and offers excellent VSWR of 1.2:1. This type N bulkhead connector allows designers to create external connections on their product enclosures, and can be used in a variety of other rack mount and panel mount applications.

Our type N female bulkhead connector PE1956 datasheet specifications and drawing with dimensions are shown below in this PDF. Pasternack's broad catalog of RF, microwave and millimeter wave connectors allows designers to configure and customize their signal connections however they like. Whether the need is to provide an I/O for a board design, or simply create a custom cable assembly configuration, Pasternack has the right connector for the job. Pasternack can also expertly build your custom cable assemblies for you and ship same-day.

#### Electrical Specifications

| Description                          | Minimum | Typical | Maximum | Units |
|--------------------------------------|---------|---------|---------|-------|
| Frequency Range                      | DC      |         | 18      | GHz   |
| VSWR                                 |         |         | 1.3:1   |       |
| Insertion Loss                       |         |         | 0.18    | dB    |
| Operating Voltage (AC)               |         |         | 1,000   | Vrms  |
| Impedance                            |         | 50      |         | Ohms  |
| Dielectric Withstanding Voltage (AC) |         |         | 2,500   | Vrms  |
| Inner Conductor DC Resistance        |         |         | 1.5     | mOhms |
| Outer Conductor DC Resistance        |         |         | 1       | mOhms |
| Insulation Resistance                | 5,000   |         |         | MOhms |

#### Mechanical Specifications

##### Size

|        |                    |
|--------|--------------------|
| Length | 1.34 in [34.04 mm] |
| Width  | 0.75 in [19.05 mm] |

Click the following link (or enter part number in "SEARCH" on website) to obtain additional part information including price, inventory and certifications: [N Female Bulkhead Mount Hermetically Sealed Connector Solder Attachment Terminal PE1956](#)



N Female Bulkhead Mount Hermetically Sealed Connector Solder Attachment Terminal

**RF Connectors**  
**Technical Data Sheet**

**PE1956**

|                       |                                  |
|-----------------------|----------------------------------|
| Height                | 0.75 in [19.05 mm]               |
| Weight                | 0.06 lbs [27.22 g]               |
| Mating Cycles         | 500 Cycles                       |
| Mating Torque         | 6 to 10 in-lbs [0.68 to 1.13 Nm] |
| Cable Retention Force | 6.3 lbs 2.86 kg                  |

**Material Specifications**

| Description  | Material         | Plating                      |
|--------------|------------------|------------------------------|
| Contact      | Beryllium Copper | Gold over Nickel over Copper |
| Insulation   | PTFE             |                              |
| Body         | Brass            | Tri-Metal over Copper        |
| Coupling Nut | Brass            | Tri-Metal over Copper        |
| Gasket       | Silicone         |                              |
| Washer       | Brass            | Tri-Metal over Copper        |

**Environmental Specifications**

**Temperature**

|                 |                                     |
|-----------------|-------------------------------------|
| Operating Range | -65 to +165 deg C                   |
| Humidity        | MIL-STD-202, Method106              |
| Thermal Shock   | MIL-STD-202, Method107, Condition B |
| Salt Spray      | MIL-STD-202, Method101, Condition B |
| Hermetic Seal   | 1*10-6cc/sec helium at 1atm         |

**Compliance Certifications** (see [product page](#) for current document)

**Plotted and Other Data**

Notes:

Click the following link (or enter part number in "SEARCH" on website) to obtain additional part information including price, inventory and certifications: [N Female Bulkhead Mount Hermetically Sealed Connector Solder Attachment Terminal PE1956](#)



## N Female Bulkhead Mount Hermetically Sealed Connector Solder Attachment Terminal

### RF Connectors Technical Data Sheet

**PE1956**

N Female Bulkhead Mount Hermetically Sealed Connector Solder Attachment Terminal from Pasternack Enterprises has same day shipment for domestic and International orders. Our RF, microwave and millimeter wave products maintain a 99.4% availability and are part of the broadest selection in the industry.

Click the following link (or enter part number in "SEARCH" on website) to obtain additional part information including price, inventory and certifications: [N Female Bulkhead Mount Hermetically Sealed Connector Solder Attachment Terminal PE1956](https://www.pasternack.com/n-female-terminal-connector-pe1956-p.aspx)

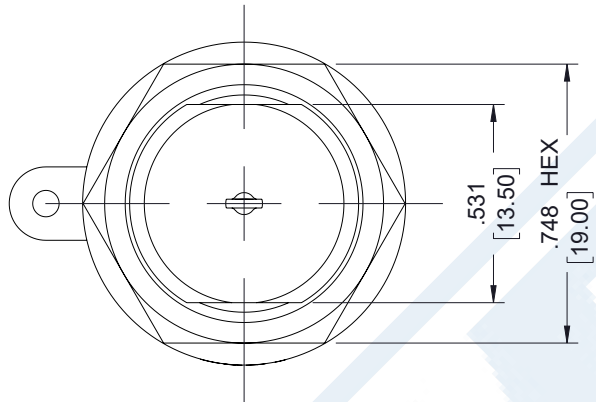
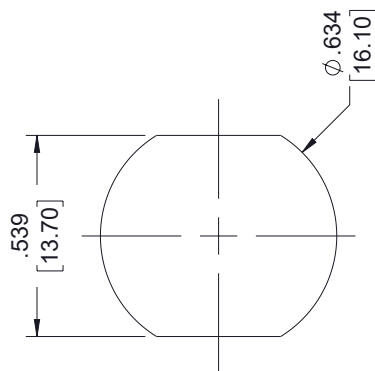
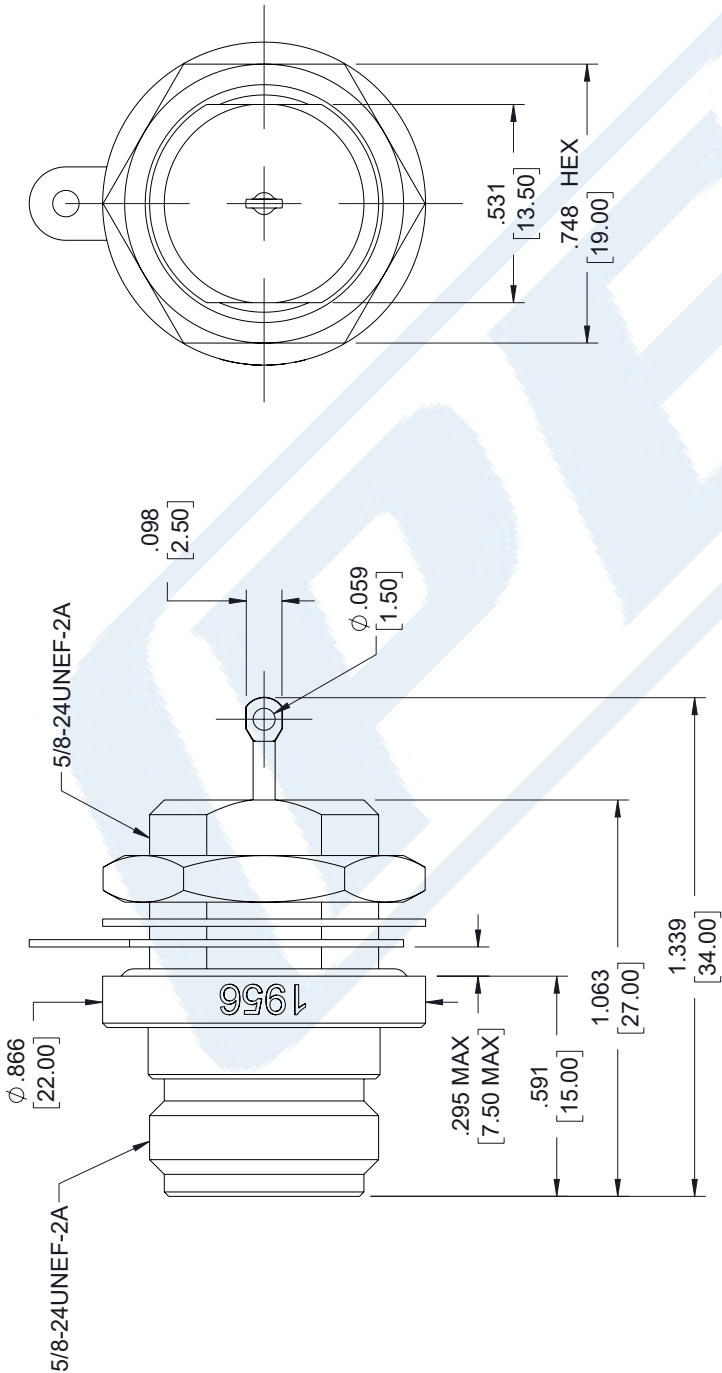
URL: <https://www.pasternack.com/n-female-terminal-connector-pe1956-p.aspx>

The information contained in this document is accurate to the best of our knowledge and representative of the part described herein. It may be necessary to make modifications to the part and/or the documentation of the part, in order to implement improvements. Pasternack reserves the right to make such changes as required. Unless otherwise stated, all specifications are nominal. Pasternack does not make any representation or warranty regarding the suitability of the part described herein for any particular purpose, and Pasternack does not assume any liability arising out of the use of any part or documentation.

# PE1956 CAD Drawing

## N Female Bulkhead Mount Hermetically Sealed Connector Solder Attachment Terminal

| REVISIONS |                 |            |          |
|-----------|-----------------|------------|----------|
| REV.      | DESCRIPTION     | DATE       | APPROVED |
| A         | INITIAL RELEASE | 12/13/2022 | AGANWANI |



UNLESS OTHERWISE SPECIFIED LEADING DIMENSIONS ARE INCHES DIMENSIONS IN [ ] ARE MILLIMETERS

TOLERANCES:

.X = ±.2 [5.08] | FRACTIONS ± 1/32

.XX = ±.02 [51] | ANGLES ± 1°

.XXX = ±.005 [13] |

CABLE LENGTH (L) TOLERANCES:

L ≤ 12 [305] = +1 [25] / -0

12 [305] < L ≤ 60 [1524] = +2 [51] / -0

60 [1524] < L ≤ 120 [3048] = +4 [102] / -0

120 [3048] < L ≤ 300 [7620] = +6 [152] / -0

300 [7620] < L = +5%L / -0

ALL DIMENSIONS SHOWN ARE FOR REFERENCE ONLY.

THIRD-ANGLE PROJECTION

THE INFORMATION AND DESIGN IN THIS DOCUMENT IS THE PROPERTY OF PASTERNAK CORPORATION ALL RIGHTS RESERVED.

SHEET 1 OF 1

SCALE N/A

PE PASTERNAK an INFINITE brand

Pasternack Enterprises, Inc.  
P.O. Box 16759, Irvine, CA 92623.  
Phone: 1.949.261.1920 | 1.866.727.8376  
Fax: 1.949.261.7451  
Website: www.pasternack.com  
E-mail: sales@pasternack.com

SIZE A CAGE CODE 53919 DRAWN BY HBAKKE ITEM NO. PE1956 REV A

THESE COMMODITIES, TECHNOLOGY OR SOFTWARE WERE EXPORTED FROM THE UNITED STATES IN ACCORDANCE WITH THE EXPORT ADMINISTRATION REGULATIONS. DIVERSION CONTRARY TO U.S. LAW PROHIBITED.