



500 MHz to 40 GHz 2.92mm Bias Tee Rated to 1000 mA and 50 Volts DC

Bias Tees Technical Data Sheet

PE1622

Configuration

Design	Broadband
RF Port Connector	2.92mm Female
DC/RF Port Connector	2.92mm Female
DC Port Connector	Pin

Electrical Specifications

Description	Minimum	Typical	Maximum	Units
Frequency Range	0.5		40	GHz
Impedance		50		Ohms
VSWR		1.6:1	2:1	
Insertion Loss		1.5	1.8	dB
DC Voltage			50	Vdc
DC Current			1	A

Mechanical Specifications

Size

Weight	0.0333 lbs [15.1 g]
--------	---------------------

Environmental Specifications

Temperature

Operating Range	-40 to +85 deg C
Storage Range	-55 to +125 deg C

Humidity	MIL-STD-202G
Shock	MIL-STD-202G
Vibration	MIL-STD-202G

Compliance Certifications (see [product page](#) for current document)

Plotted and Other Data

Notes:

Click the following link (or enter part number in "SEARCH" on website) to obtain additional part information including price, inventory and certifications: [500 MHz to 40 GHz 2.92mm Bias Tee Rated to 1000 mA and 50 Volts DC PE1622](#)

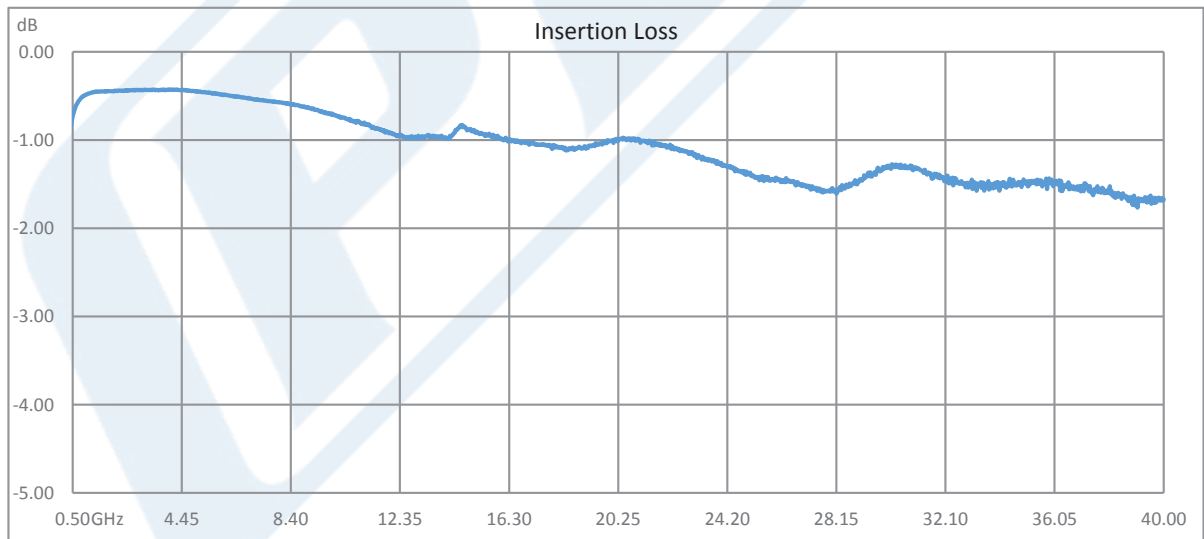
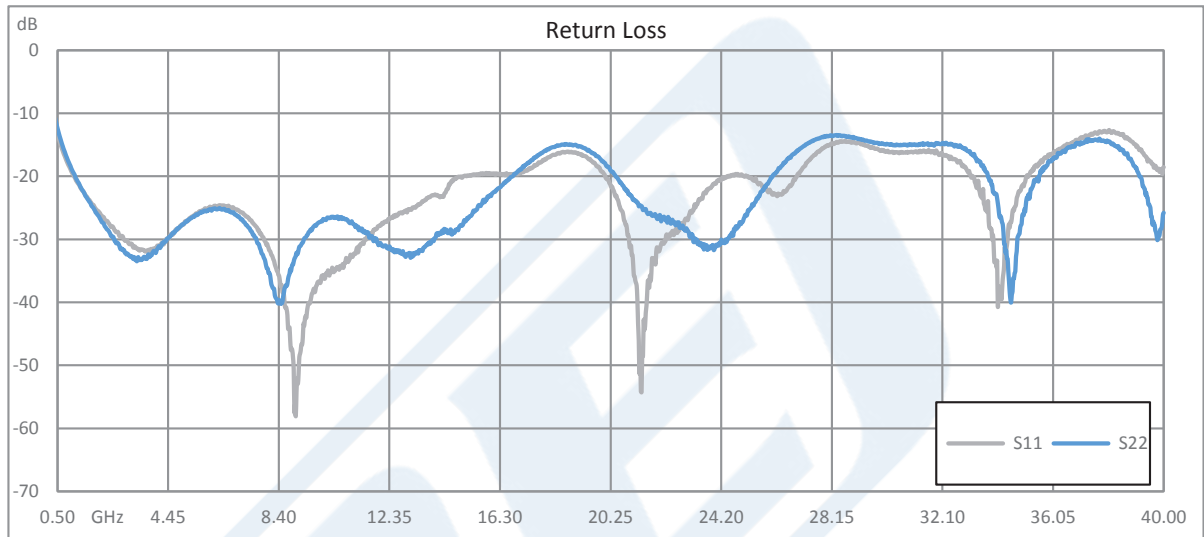


500 MHz to 40 GHz 2.92mm Bias Tee Rated to 1000 mA and 50 Volts DC

Bias Tees Technical Data Sheet

PE1622

Typical Performance Data



Click the following link (or enter part number in "SEARCH" on website) to obtain additional part information including price, inventory and certifications: [500 MHz to 40 GHz 2.92mm Bias Tee Rated to 1000 mA and 50 Volts DC PE1622](#)



500 MHz to 40 GHz 2.92mm Bias Tee Rated
to 1000 mA and 50 Volts DC

Bias Tees Technical Data Sheet

PE1622

500 MHz to 40 GHz 2.92mm Bias Tee Rated to 1000 mA and 50 Volts DC from Pasternack Enterprises has same day shipment for domestic and International orders. Our RF, microwave and millimeter wave products maintain a 99.4% availability and are part of the broadest selection in the industry.

Click the following link (or enter part number in "SEARCH" on website) to obtain additional part information including price, inventory and certifications: [500 MHz to 40 GHz 2.92mm Bias Tee Rated to 1000 mA and 50 Volts DC PE1622](https://www.pasternack.com/500-mhz-40-ghz-2.92mm-bias-tee-1000-ma-50-volts-dc-pe1622-p.aspx)

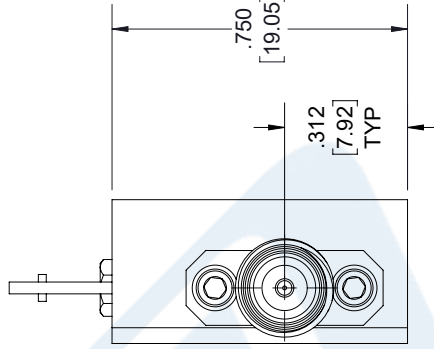
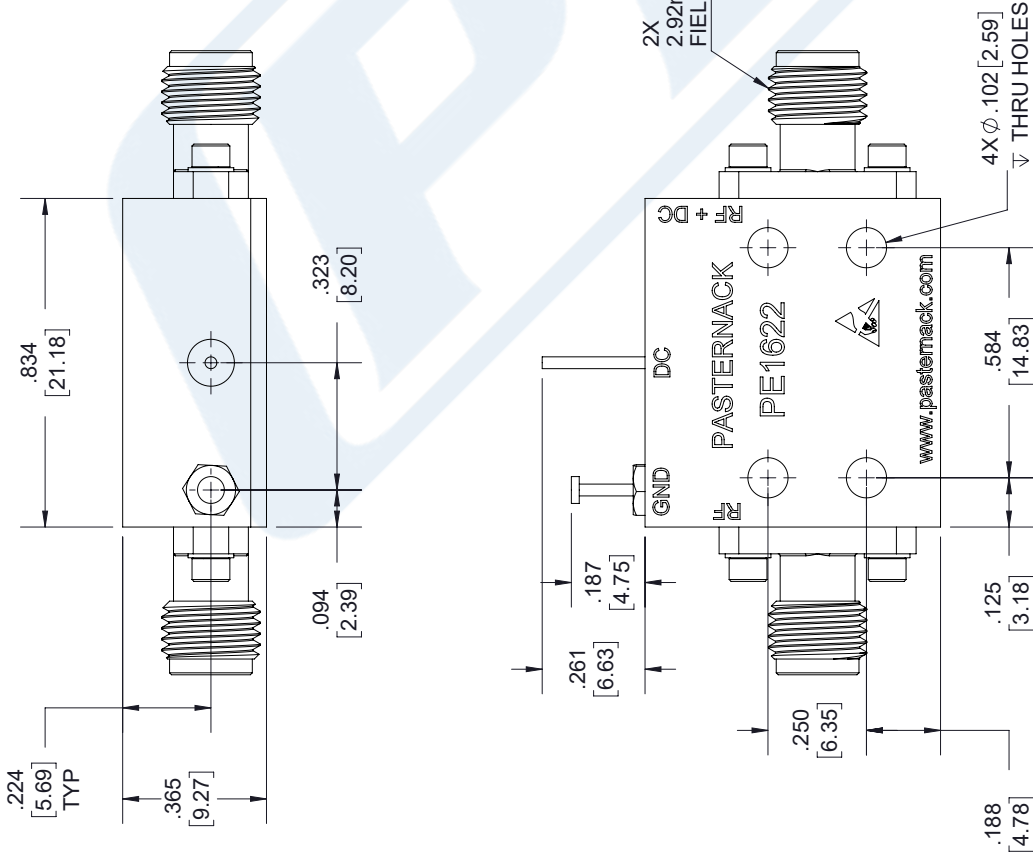
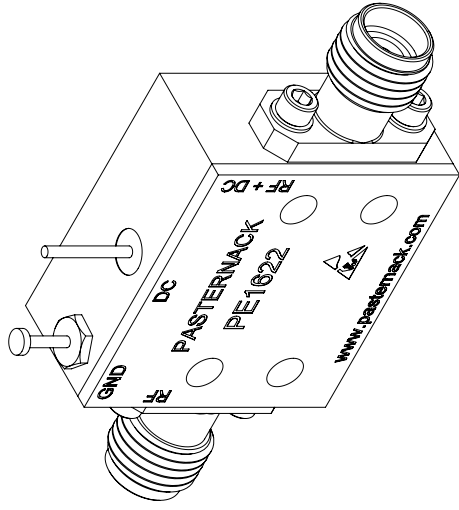
URL: <https://www.pasternack.com/500-mhz-40-ghz-2.92mm-bias-tee-1000-ma-50-volts-dc-pe1622-p.aspx>

The information contained in this document is accurate to the best of our knowledge and representative of the part described herein. It may be necessary to make modifications to the part and/or the documentation of the part, in order to implement improvements. Pasternack reserves the right to make such changes as required. Unless otherwise stated, all specifications are nominal. Pasternack does not make any representation or warranty regarding the suitability of the part described herein for any particular purpose, and Pasternack does not assume any liability arising out of the use of any part or documentation.

PE1622 CAD Drawing

500 MHz to 40 GHz 2.92mm Bias Tee Rated to 1000 mA and 50 Volts DC

REV.	DESCRIPTION	DATE	APPROVED
A	PCR PE1622	12/24/2019	S. PONG



UNLESS OTHERWISE SPECIFIED
LEADING DIMENSIONS ARE INCHES
DIMENSIONS IN [] ARE MILLIMETERS

TOLERANCES:
 .X = ±.2 [5.08] FRACTIONS ± 1/32
 .XX = ±.02 [.51] ANGLES ± 1°
 .XXX = ±.005 [.13] CABLE LENGTH (L) TOLERANCES:
 L ≤ 12 [305] = +1 [25] / -0
 12 [305] < L ≤ 60 [1524] = +2 [51] / -0
 60 [1524] < L ≤ 120 [3048] = +4 [102] / -0
 120 [3048] < L ≤ 300 [7620] = +6 [152] / -0
 300 [7620] < L = +5% / L / -0

ALL DIMENSIONS SHOWN
ARE FOR REFERENCE ONLY.

THIRD-ANGLE PROJECTION

THE INFORMATION AND DESIGN IN THIS DOCUMENT IS THE PROPERTY OF PASTERNAK CORPORATION. ALL RIGHTS RESERVED.

SHEET 1 OF 1

SCALE N/A

REV A

ITEM NO. PE1622

DRAWN BY K. DANG

CAGE CODE A 53919

INFORMATION AND CONTACT:

PASTERNAK
an INFINIT brand

Pasternack Enterprises, Inc.
P. O. Box 16759, Irvine, CA 92623.
Phone: 1.949.261.1920 | 1.866.727.8376
Fax: 1.949.261.7451
Website: www.pasternack.com
E-mail: sales@pasternack.com

THESE COMMODITIES, TECHNOLOGY OR SOFTWARE WERE EXPORTED FROM THE UNITED STATES IN ACCORDANCE WITH THE EXPORT ADMINISTRATION REGULATIONS. DIVERSION CONTRARY TO U.S. LAW PROHIBITED.