



0.03 MHz to 85 GHz 1.85mm Bias Tee
Rated To 500 mA And 25 Volts DC

TECHNICAL DATA SHEET

PE1620

Configuration

RF Port Connector	1.85mm Female
RF Port Connector Impedance	50 Ohms
DC/RF Port Connector	1.85mm Female
DC/RF Port Connector Impedance	50 Ohms
DC Port Connector	SMA Female

Electrical Specifications

Frequency Range	30 KHz to 85 GHz
Maximum RF Port VSWR	2
Maximum Insertion Loss	4 dB
Maximum RF to Bias Isolation	30 dB
Maximum DC Voltage	25 Volts
Maximum DC Current	500 mA

Mechanical Specifications

Size

Length	1.42 in [36.07 mm]
Width/Dia.	0.6 in [15.24 mm]
Height	0.5 in [12.7 mm]

RF Port Connector

Type	1.85mm Female
------	---------------

RF/DC Port Connector

Type	1.85mm Female
------	---------------

DC Port Connector

Type	SMA Female
------	------------

Compliance Certifications (visit www.Pasternack.com for current document)

RoHS Compliant	Yes
----------------	-----

Click the following link (or enter part number in "SEARCH" on website) to obtain additional part information including price, inventory and certifications: [0.03 MHz to 85 GHz 1.85mm Bias Tee Rated To 500 mA And 25 Volts DC PE1620](#)

The information contained in this document is accurate to the best of our knowledge and representative of the part described herein. It may be necessary to make modifications to the part and/or the documentation of the part, in order to implement improvements. Pasternack reserves the right to make such changes as required. Unless otherwise stated, all specifications are nominal.



0.03 MHz to 85 GHz 1.85mm Bias Tee
Rated To 500 mA And 25 Volts DC

TECHNICAL DATA SHEET

PE1620

Plotted and Other Data

Notes:

Values at 25 °C, sea level

0.03 MHz to 85 GHz 1.85mm Bias Tee Rated To 500 mA And 25 Volts DC from Pasternack Enterprises has same day shipment for domestic and International orders. Our RF, microwave and fiber optic products maintain a 99% availability and are part of the broadest selection in the industry.

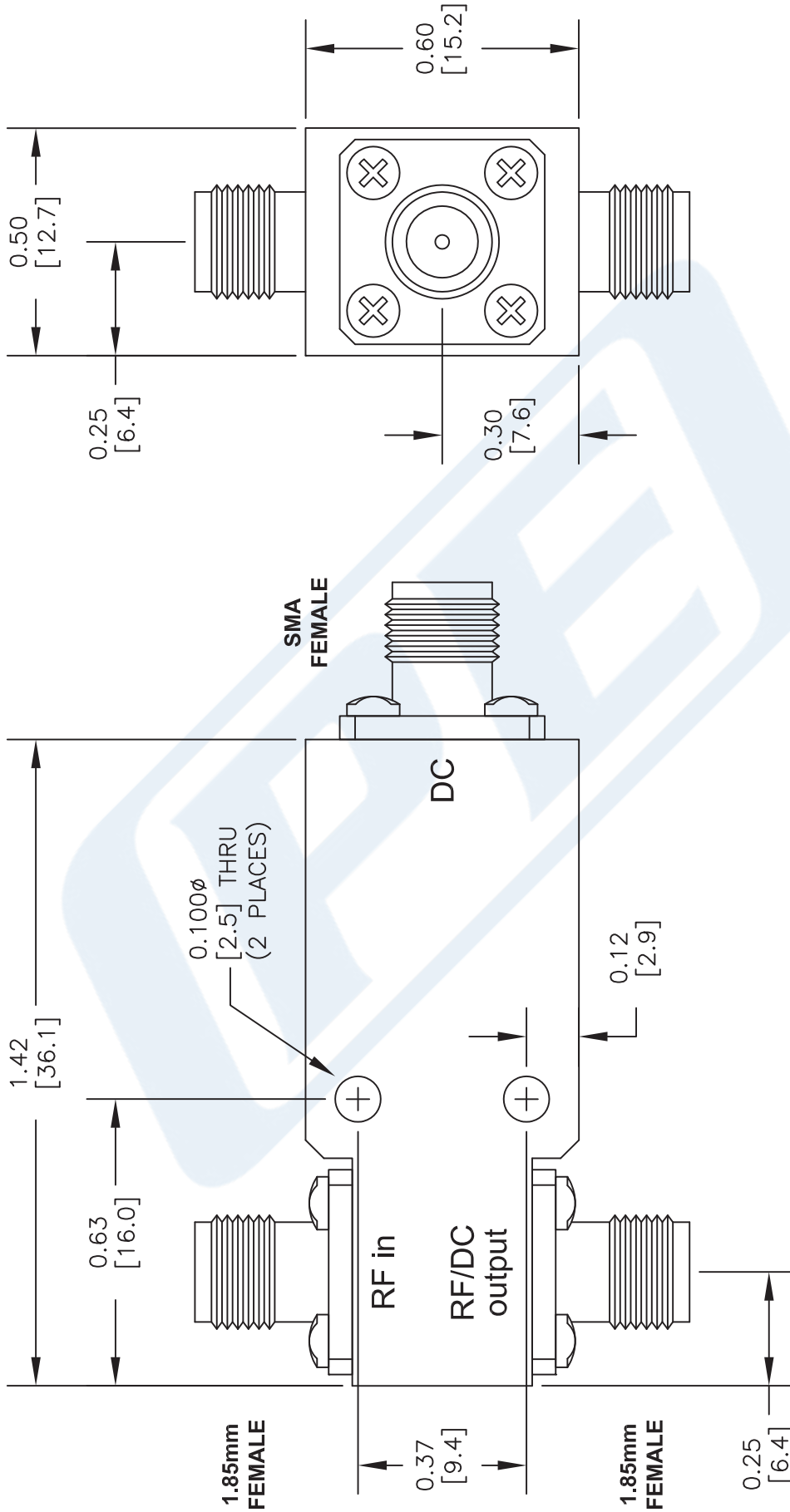
Click the following link (or enter part number in "SEARCH" on website) to obtain additional part information including price, inventory and certifications: [0.03 MHz to 85 GHz 1.85mm Bias Tee Rated To 500 mA And 25 Volts DC PE1620](#)

URL: <http://www.pasternack.com/0.03-mhz-85-ghz-1.85mm-bias-tee-0-ma-0-volts-dc-pe1620-p.aspx>

The information contained in this document is accurate to the best of our knowledge and representative of the part described herein. It may be necessary to make modifications to the part and/or the documentation of the part, in order to implement improvements. Pasternack reserves the right to make such changes as required. Unless otherwise stated, all specifications are nominal.

PE1620 CAD Drawing

0.03 MHz to 85 GHz 1.85mm Bias Tee Rated To 500 mA And 25 Volts DC



DWG TITLE

PE1620

- NOTES:
1. UNLESS OTHERWISE SPECIFIED ALL DIMENSIONS ARE NOMINAL.
 2. ALL SPECIFICATIONS ARE SUBJECT TO CHANGE WITHOUT NOTICE AT ANY TIME.
 3. DIMENSIONS ARE IN INCHES [mm].

FSCM NO. 53919

CAD FILE 100413

SCALE N/A

SIZE A

2233



PASTERNAK®
 Pasternack Enterprises, Inc.
 P.O. Box 16759 | Irvine | CA | 92623
 Phone: (949) 261-1920 | Fax: (949) 261-7451
 Website: www.pasternack.com | E-Mail: sales@pasternack.com