



0.1 MHz to 18 GHz SMA Bias Tee Rated  
To 750 mA And 24 Volts DC

TECHNICAL DATA SHEET

PE1607

**0.1 MHz to 18 GHz SMA Bias Tee Rated To 750 mA And 24 Volts DC**

**Configuration**

RF Port Connector	SMA Female
RF Port Connector Impedance	50 Ohms
DC/RF Port Connector	SMA Female
DC/RF Port Connector Impedance	50 Ohms
DC Port Connector	Solder Pin

**Electrical Specifications**

Frequency Range, GHz	0.0001 to 18
Maximum RF Port VSWR	1.8
Maximum Insertion Loss, dB	2
Maximum RF to Bias Isolation, dB	30
Maximum DC Voltage, Volts	24
Maximum DC Current, mA	750

**Mechanical Specifications**

**Temperature**

Operating Range, deg C	-55 to +100
Storage Range, deg C	-55 to +150

**Size**

Length, in [mm]	1.57 [39.88]
Width/Dia., in [mm]	0.5 [12.7]

**RF Port Connector**

Type	SMA Female
------	------------

**RF/DC Port Connector**

Type	SMA Female
------	------------

**DC Port Connector**

Type	Solder Pin
------	------------

**Compliance Certifications** (visit [www.Pasternack.com](http://www.Pasternack.com) for current document)

RoHS Compliant	Yes
----------------	-----

Click the following link (or enter part number in "SEARCH" on website) to obtain additional part information including price, inventory and certifications: [0.1 MHz to 18 GHz SMA Bias Tee Rated To 750 mA And 24 Volts DC PE1607](#)

The information contained in this document is accurate to the best of our knowledge and representative of the part described herein. It may be necessary to make modifications to the part and/or the documentation of the part, in order to implement improvements. Pasternack reserves the right to make such changes as required. Unless otherwise stated, all specifications are nominal.



0.1 MHz to 18 GHz SMA Bias Tee Rated  
To 750 mA And 24 Volts DC

TECHNICAL DATA SHEET

PE1607

**Plotted and Other Data**

Notes:

Values at 25 °C, sea level

0.1 MHz to 18 GHz SMA Bias Tee Rated To 750 mA And 24 Volts DC from Pasternack Enterprises has same day shipment for domestic and International orders. Our RF, microwave and fiber optic products maintain a 99% availability and are part of the broadest selection in the industry.

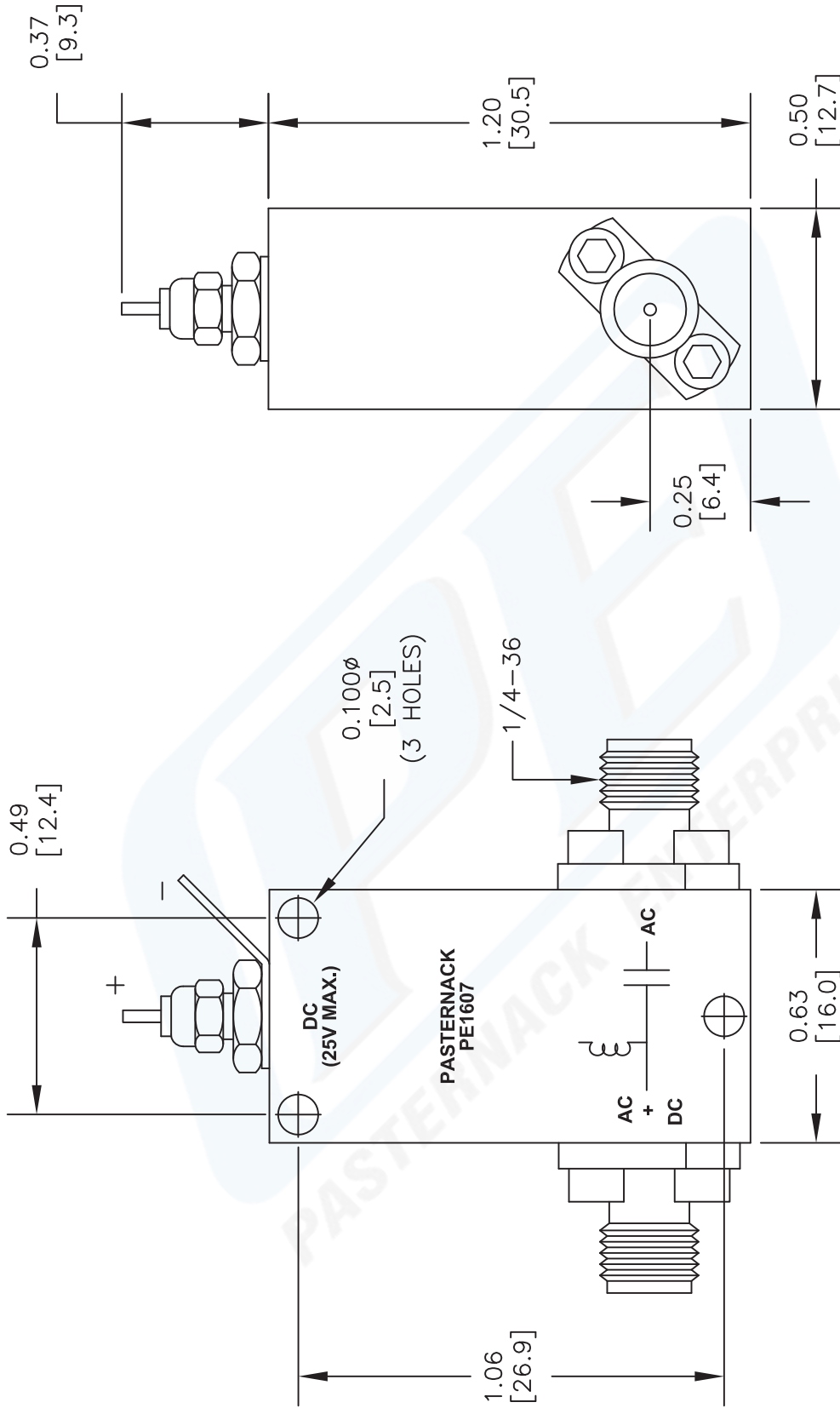
Click the following link (or enter part number in "SEARCH" on website) to obtain additional part information including price, inventory and certifications: [0.1 MHz to 18 GHz SMA Bias Tee Rated To 750 mA And 24 Volts DC PE1607](http://www.pasternack.com/0.1-mhz-18-ghz-sma-bias-tee-rated-to-750-ma-and-24-volts-dc-pe1607)

URL: <http://www.pasternack.com/0.1-mhz-18-ghz-sma-bias-tee-750-ma-24-volts-dc-pe1607-p.aspx>

The information contained in this document is accurate to the best of our knowledge and representative of the part described herein. It may be necessary to make modifications to the part and/or the documentation of the part, in order to implement improvements. Pasternack reserves the right to make such changes as required. Unless otherwise stated, all specifications are nominal.

# PE1607 CAD Drawing

0.1 MHz to 18 GHz SMA Bias Tee Rated To 750 mA And 24 Volts DC



DWG TITLE

**PE1607**

NOTES:  
 1. UNLESS OTHERWISE SPECIFIED ALL DIMENSIONS ARE NOMINAL.  
 2. ALL SPECIFICATIONS ARE SUBJECT TO CHANGE WITHOUT NOTICE AT ANY TIME.  
 3. DIMENSIONS ARE IN INCHES [mm].

REV. A

FSCM NO. 53919

CAD FILE 013112

SCALE N/A

SIZE A

2233

**PE PASTERNAK**<sup>®</sup>

Pasternack Enterprises, Inc.  
 P.O. Box 16759 | Irvine | CA | 92623  
 Phone: (949) 261-1920 | Fax: (949) 261-7451  
 Website: [www.pasternack.com](http://www.pasternack.com) | E-Mail: [sales@pasternack.com](mailto:sales@pasternack.com)