



0.1 MHz to 12.4 GHz SMA Bias Tee Rated to 750 mA and 24 Volts DC

Bias Tees Technical Data Sheet

PE1606A

Features

- 0.1 MHz to 12.4 GHz Frequency Range
- Isolation 30 dB Min
- Insertion Loss < 1.5 dB
- 750 mA / 24 VDC Bias

Applications

- Amplifier Biasing
- DC Return / Block
- Transmitting Power With a Single
- Coax
- Test and Measurement
- Communication Systems
- Wireless Systems

Description

Pasternack's PE1606A is an SMA bias tee (also known as bias T) that operates from 0.1 MHz to 12.4 GHz with a bias rating of 750 mA and 24 VDC. This bias tee is configured with SMA inputs on the RF ports and solder pin on the bias port. PE1606A SMA bias T offers good electrical performance featuring 1.5 dB max insertion loss and 30 dB min isolation. Bias tees are typically used to inject a DC signal into an RF path such as when biasing an amplifier or any other active device, supplying power to the connected output without disrupting the RF signal. They can also be used as DC returns to provide a ground return path for the input device or DC blocks to prevent direct current signals from flowing through the output device. Pasternack's bias tees are available in various connector configurations over different frequency bands to fit your needs, all of which ship the same day.

Configuration

RF Port Connector	SMA Female
DC/RF Port Connector	SMA Female
DC Port Connector	Solder Pin

Electrical Specifications

Description	Minimum	Typical	Maximum	Units
Frequency Range	0.0001		12.4	GHz
Impedance		50		Ohms
VSWR			1.6:1	
Insertion Loss			1.5	dB
RF to Bias Isolation	30			dB
DC Voltage			24	Vdc
DC Current			750	mA

Electrical Specification Notes:
Values at +25°C, sea level.

Click the following link (or enter part number in "SEARCH" on website) to obtain additional part information including price, inventory and certifications: [0.1 MHz to 12.4 GHz SMA Bias Tee Rated to 750 mA and 24 Volts DC PE1606A](#)



0.1 MHz to 12.4 GHz SMA Bias Tee Rated
to 750 mA and 24 Volts DC

Bias Tees Technical Data Sheet

PE1606A

Mechanical Specifications

Size

Length	1.2 in [30.48 mm]
Width	0.5 in [12.7 mm]
Weight	0.0451 lbs [20.46 g]
Package Type	Connectorized

Compliance Certifications (see [product page](#) for current document)

Plotted and Other Data

Notes:

0.1 MHz to 12.4 GHz SMA Bias Tee Rated to 750 mA and 24 Volts DC from Pasternack Enterprises has same day shipment for domestic and International orders. Our RF, microwave and millimeter wave products maintain a 99.4% availability and are part of the broadest selection in the industry.

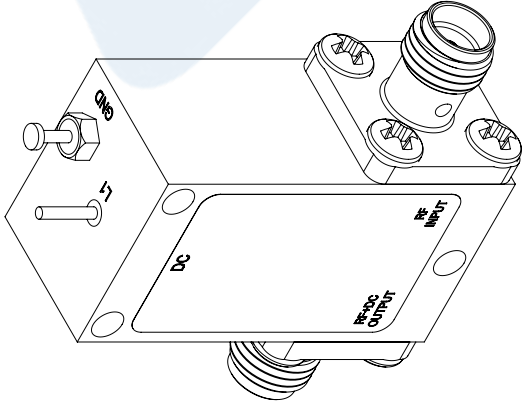
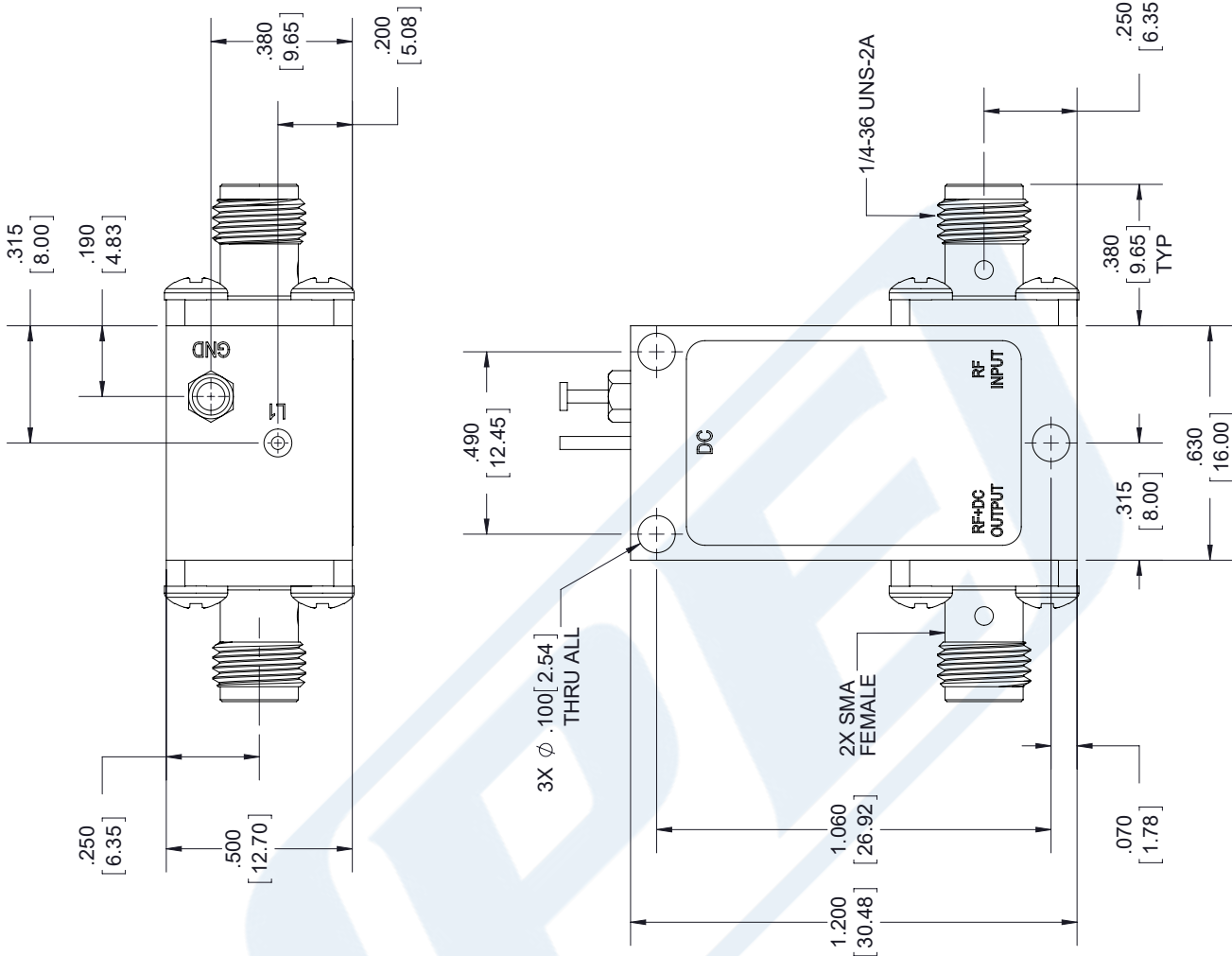
Click the following link (or enter part number in "SEARCH" on website) to obtain additional part information including price, inventory and certifications: [0.1 MHz to 12.4 GHz SMA Bias Tee Rated to 750 mA and 24 Volts DC PE1606A](#)

URL: <https://www.pasternack.com/0.1-mhz-12.4-ghz-sma-bias-tee-750-ma-24-volts-dc-pe1606a-p.aspx>

The information contained in this document is accurate to the best of our knowledge and representative of the part described herein. It may be necessary to make modifications to the part and/or the documentation of the part, in order to implement improvements. Pasternack reserves the right to make such changes as required. Unless otherwise stated, all specifications are nominal. Pasternack does not make any representation or warranty regarding the suitability of the part described herein for any particular purpose, and Pasternack does not assume any liability arising out of the use of any part or documentation.

PE1606A CAD Drawing

0.1 MHz to 12.4 GHz SMA Bias Tee Rated to 750 mA and 24 Volts DC



LABEL: PASTERNAK
PE1606A

STANDARD TOLERANCES	
.X	±0.2
.XX	±0.01
.XXX	±0.005

*STANDARD TOLERANCES APPLY ONLY TO DIMENSIONS IN INCHES

PE PASTERNAK
THE ENGINEER'S RF SOURCE
Pasternack Enterprises, Inc.
P.O. Box 16759 | Irvine | CA | 92623
Phone: (949) 261-1920 | Fax: (949) 261-7451
Website: www.pasternack.com | E-Mail: sales@pasternack.com

DWG TITLE
PE1606A

CAGE CODE 53919

NOTES:
1. UNLESS OTHERWISE SPECIFIED ALL DIMENSIONS ARE NOMINAL.
2. ALL SPECIFICATIONS ARE SUBJECT TO CHANGE WITHOUT NOTICE AT ANY TIME
3. DIMENSIONS ARE IN INCHES [mm].

CAD FILE 072717

SCALE N/A

SIZE A

9999