



## 2.92mm Female to 2.4mm Male Adapter

### RF Adapters Technical Data Sheet

PE1281

#### Configuration

- 2.92mm Female Connector 1
- 2.4mm Male Connector 2
- 50 Ohm
- Straight Body Geometry

#### Features

- Max VSWR of 1.15:1 up to 40 GHz
- Gold over Nickel over Copper Plated Beryllium Copper Contact

#### Applications

- Allows Connection Between Series
- General Purpose Test

#### Description

Pasternack's PE1281 2.92mm female to 2.4mm male adapter is part of our full line of RF components available for same-day shipping. The 2.92mm connector mates mechanically with commercially available SMA and 3.5mm connectors. The 2.4mm connector mates mechanically with commercially available 1.85mm (V) connectors. Our 2.92mm to 2.4mm adapter has a female to male gender configuration built of durable stainless steel. PE1281 2.92mm female to 2.4mm male adapter operates to 40 GHz. The Pasternack RF adapter provides excellent VSWR of 1.15:1 maximum.

RF adapters are often used to enable connections between two connector types that would otherwise not mate. Certain adapter configurations can also be used to protect connectors on expensive equipment where the number of connect/disconnect cycles is high. An RF, microwave or millimeter wave adapter is connected to the equipment, and the commonly changed connection is made with the adapter which can be easily replaced when it wears out after high usage; such adapters are referred to as connector savers. Pasternack also offers bulkhead, panel mount, hermetically sealed, reverse polarity, and isolated ground adapter varieties to serve all of your RF, microwave and millimeter wave needs.

#### Electrical Specifications

Description	Minimum	Typical	Maximum	Units
Frequency Range	DC		40	GHz
VSWR			1.15:1	
Operating Voltage (AC)			150	Vrms
Dielectric Withstanding Voltage (AC)			500	Vrms
Insulation Resistance	5,000			MOhms
RF Leakage			100	dB

Electrical Specification Notes:  
Insertion Loss = 0.05 x SQRT(F(GHz))

#### Mechanical Specifications

<b>Size</b>	
Length	0.79 in [20.07 mm]
Width	0.315 in [8 mm]

Click the following link (or enter part number in "SEARCH" on website) to obtain additional part information including price, inventory and certifications: [2.92mm Female to 2.4mm Male Adapter PE1281](#)



## 2.92mm Female to 2.4mm Male Adapter

### RF Adapters Technical Data Sheet

PE1281

Height	0.315 in [8 mm]
Weight	0.35 lbs [158.76 g]

Description	Connector 1	Connector 2
Type	2.92mm Female	2.4mm Male
Polarity	Standard	Standard
Mating Cycles	500	500

#### Material Specifications

Description	Connector 1		Connector 2	
	Material	Plating	Material	Plating
Type	2.92mm Female		2.4mm Male	
Contact	Beryllium Copper	Gold over Nickel over Copper	Beryllium Copper	Gold over Nickel over Copper
Insulation	PTFE		PTFE	
Body	Passivated Stainless Steel		Passivated Stainless Steel	
Gasket	Silicone		Silicone	
Coupling Nut	Passivated Stainless Steel		Passivated Stainless Steel	

#### Environmental Specifications

##### Temperature

Operating Range -55 to 105 °C

##### Humidity

MIL-STD-202, Method 206

##### Thermal Shock

MIL-STD-202, Method 107, Condition B

##### Salt Spray

MIL-STD-202, Method 101, Condition B

**Compliance Certifications** (see [product page](#) for current document)

#### Plotted and Other Data

Notes:

Click the following link (or enter part number in "SEARCH" on website) to obtain additional part information including price, inventory and certifications: [2.92mm Female to 2.4mm Male Adapter PE1281](#)



## 2.92mm Female to 2.4mm Male Adapter

### RF Adapters Technical Data Sheet

PE1281

2.92mm Female to 2.4mm Male Adapter from Pasternack Enterprises has same day shipment for domestic and International orders. Our RF, microwave and millimeter wave products maintain a 99.4% availability and are part of the broadest selection in the industry.

Click the following link (or enter part number in "SEARCH" on website) to obtain additional part information including price, inventory and certifications: [2.92mm Female to 2.4mm Male Adapter PE1281](https://www.pasternack.com/2.92mm-female-to-2.4mm-male-adapter-pe1281-p.aspx)

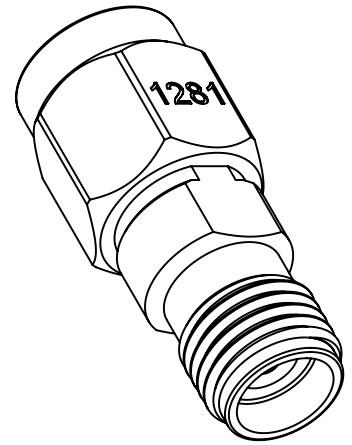
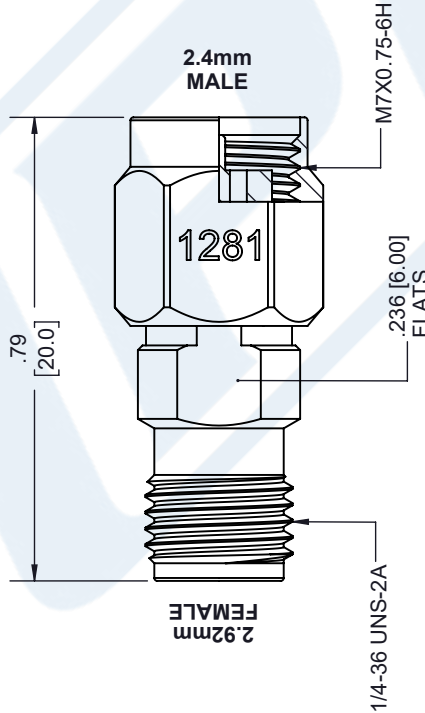
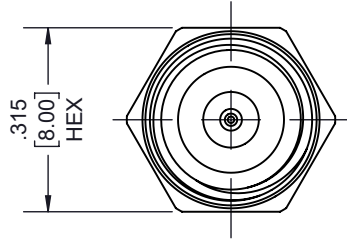
URL: <https://www.pasternack.com/2.92mm-male-to-2.4mm-male-adapter-pe1281-p.aspx>

The information contained in this document is accurate to the best of our knowledge and representative of the part described herein. It may be necessary to make modifications to the part and/or the documentation of the part, in order to implement improvements. Pasternack reserves the right to make such changes as required. Unless otherwise stated, all specifications are nominal. Pasternack does not make any representation or warranty regarding the suitability of the part described herein for any particular purpose, and Pasternack does not assume any liability arising out of the use of any part or documentation.

# PE1281 CAD Drawing

## 2.92mm Female to 2.4mm Male Adapter

REVISIONS		
REV.	DESCRIPTION	DATE
A	INITIAL RELEASE	12/29/2021
		APPROVED A. GANWANI



UNLESS OTHERWISE SPECIFIED  
LEADING DIMENSIONS ARE INCHES  
DIMENSIONS IN [ ] ARE MILLIMETERS

TOLERANCES:  
 .X = ±.2 [5.08]    FRACTIONS ± 1/32  
 .XX = ±.02 [ .51]    ANGLES ± 1°  
 .XXX = ±.005 [ .13]

CABLE LENGTH (L), TOLERANCES:  
 L ≤ 12 [305] = +1 [25] / -0  
 12 [305] < L ≤ 60 [1524] = +2 [51] / -0  
 60 [1524] < L ≤ 120 [3048] = +4 [102] / -0  
 120 [3048] < L ≤ 300 [7620] = +6 [152] / -0  
 300 [7620] < L = +5% / -0

ALL DIMENSIONS SHOWN  
ARE FOR REFERENCE ONLY.

**PE PASTERNAK**  
an INFINITE brand

Pasternack Enterprises, Inc.  
 P. O. Box 16759, Irvine, CA 92623.  
 Phone: 1.949.261.1920 | 1.866.727.8376  
 Fax: 1.949.261.7451  
 Website: www.pasternack.com  
 E-mail: sales@pasternack.com

SIZE: A    CAGE CODE: 53919    DRAWN BY: K.DANG    ITEM NO.: PE1281

THIRD-ANGLE PROJECTION

THE INFORMATION AND DESIGN IN THIS DOCUMENT IS THE PROPERTY OF PASTERNAK CORPORATION ALL RIGHTS RESERVED.

SHEET 1 OF 1

SCALE: N/A

REV: A

THESE COMMODITIES, TECHNOLOGY OR SOFTWARE WERE EXPORTED FROM THE UNITED STATES IN ACCORDANCE WITH THE EXPORT ADMINISTRATION REGULATIONS. DIVERSION CONTRARY TO U.S. LAW PROHIBITED.