



WR-42 90 Degree Waveguide Twist With a UG-595/U Flange Operating From 18 GHz to 26.5 GHz

Waveguide Twists Technical Data Sheet

PE-W42TW1001A

Features

- WR-42 waveguide
- Operating frequency range 18 to 26.5 GHz
- UG-595/U Flange
- 90° Twist

Applications

- Instrumentation
- Precision measurements
- Prototyping and characterization
- Production Systems

Description

The PE-W42TW1001A is a 90 degree waveguide twist that is part of a family of precision manufactured twists with square cover per MIL-DTL-85. The family includes right and left hand 45 degree twists as well as 90 degree twists. These twists are offered in the Ka through WR-42 waveguide bands (18 to 26.5 GHz).

Electrical Specifications

Description	Minimum	Typical	Maximum	Units
Frequency Range	18		26.5	GHz
VSWR			1.07:1	
Insertion Loss			0.5	dB

Mechanical Specifications

Waveguide Size WR-42
Section Length 1.25 in [31.75 mm]

Description	Flange 1	Waveguide	Flange 2
Interface	UG-595/U	WR-42	UG-595/U
Material	Brass	Brass	Brass
Plating	Gold	Gold	Gold
Color	Gold	Gold	Gold

Compliance Certifications (see [product page](#) for current document)

Notes:

Click the following link (or enter part number in "SEARCH" on website) to obtain additional part information including price, inventory and certifications: [WR-42 90 Degree Waveguide Twist With a UG-595/U Flange Operating From 18 GHz to 26.5 GHz PE-W42TW1001A](#)



WR-42 90 Degree Waveguide Twist With a UG-595/U Flange Operating From 18 GHz to 26.5 GHz

Waveguide Twists Technical Data Sheet

PE-W42TW1001A

WR-42 90 Degree Waveguide Twist With a UG-595/U Flange Operating From 18 GHz to 26.5 GHz from Pasternack Enterprises has same day shipment for domestic and International orders. Our RF, microwave and millimeter wave products maintain a 99.4% availability and are part of the broadest selection in the industry.

Click the following link (or enter part number in "SEARCH" on website) to obtain additional part information including price, inventory and certifications: [WR-42 90 Degree Waveguide Twist With a UG-595/U Flange Operating From 18 GHz to 26.5 GHz PE-W42TW1001A](https://www.pasternack.com/wr-42-90-waveguide-twist-ug595-18-26.5-ghz-pe-w42tw1001a-p.aspx)

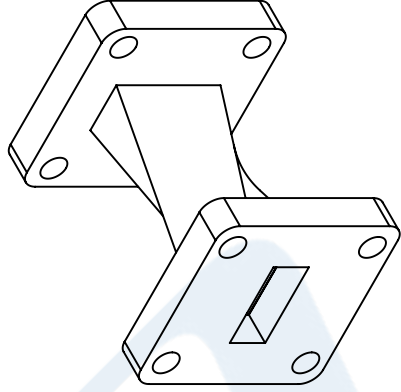
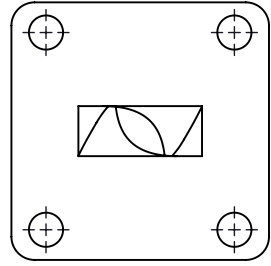
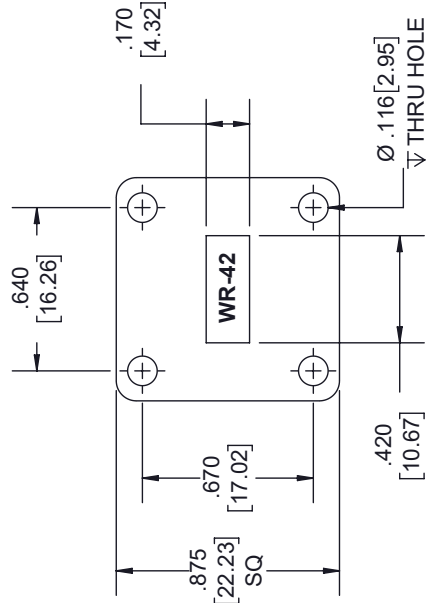
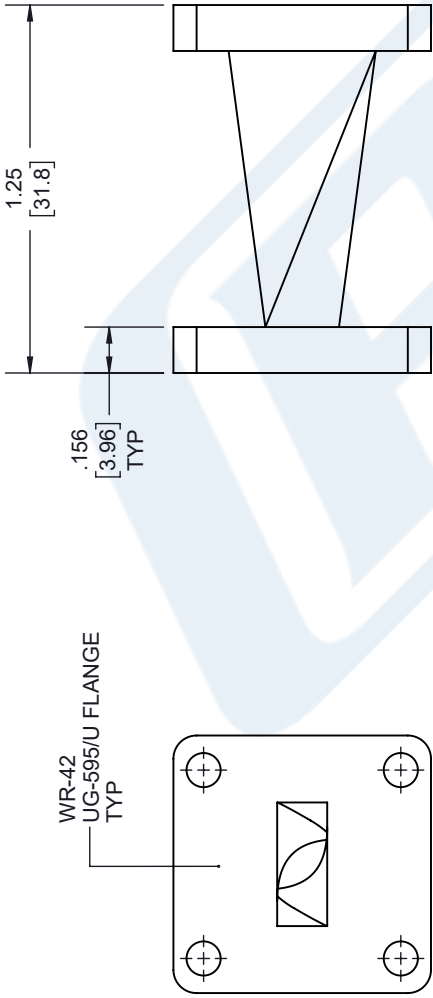
URL: <https://www.pasternack.com/wr-42-90-waveguide-twist-ug595-18-26.5-ghz-pe-w42tw1001a-p.aspx>

The information contained in this document is accurate to the best of our knowledge and representative of the part described herein. It may be necessary to make modifications to the part and/or the documentation of the part, in order to implement improvements. Pasternack reserves the right to make such changes as required. Unless otherwise stated, all specifications are nominal. Pasternack does not make any representation or warranty regarding the suitability of the part described herein for any particular purpose, and Pasternack does not assume any liability arising out of the use of any part or documentation.

PE-W42TW1001A CAD Drawing

WR-42 90 Degree Waveguide Twist With a UG-595/U Flange Operating From 18 GHz to 26.5 GHz

REVISIONS			
REV.	DESCRIPTION	DATE	APPROVED
A	INITIAL RELEASE	9/28/2021	S. PONG



UNLESS OTHERWISE SPECIFIED LEADING DIMENSIONS ARE INCHES DIMENSIONS IN [] ARE MILLIMETERS

TOLERANCES:
 .X = ±.2 [5.08] FRACTIONS ±.1/32
 .XX = ±.02 [.51] ANGLES ± 1°
 .XXX = ±.005 [.13] CABLE LENGTH (L): TOLERANCES:
 L ≤ 12 [305] = +1 [25] / -0
 12 [305] < L ≤ 60 [1524] = +2 [51] / -0
 60 [1524] < L ≤ 120 [3048] = +4 [102] / -0
 120 [3048] < L ≤ 300 [7620] = +6 [152] / -0
 300 [7620] < L = +5% / -0

ALL DIMENSIONS SHOWN ARE FOR REFERENCE ONLY.

THIRD-ANGLE PROJECTION

THE INFORMATION AND DESIGN IN THIS DOCUMENT IS THE PROPERTY OF PASTERNAK CORPORATION ALL RIGHTS RESERVED.

SHEET 1 OF 1

SCALE N/A

(PE) PASTERNAK
 an INFINITE brand

Pasternack Enterprises, Inc.
 P. O. Box 16759, Irvine, CA 92623.
 Phone: 1.949.261.1920 | 1.866.727.8376
 Fax: 1.949.261.7451
 Website: www.pasternack.com
 E-mail: sales@pasternack.com

SIZE A CAGE CODE 53919 DRAWN BY K.DANG ITEM NO. PE-W42TW1001A REV A

THESE COMMODITIES, TECHNOLOGY OR SOFTWARE WERE EXPORTED FROM THE UNITED STATES IN ACCORDANCE WITH THE EXPORT ADMINISTRATION REGULATIONS. DIVERSION CONTRARY TO U.S. LAW PROHIBITED.