



## WR-15 90 Degree Waveguide Twist With a UG-385/U Flange Operating From 50 GHz to 75 GHz

### Waveguide Twists Technical Data Sheet

PE-W15TW1001

#### Features

- WR-15
- 50 to 75 GHz
- UG-385/U Flange
- 1.11:1 Maximum VSWR
- 90° Twist

#### Applications

- Instrumentation
- Precision measurements
- Prototyping and characterization
- Production Systems

#### Description

The PE-W15TW1001 is a 90 degree waveguide twist that is part of a family of precision manufactured twists with round flange per MIL-DTL-85. The family includes right and left hand 45 degree twists as well as 90 degree twists. These twists are offered in the Ka through W waveguide bands (18 to 110 GHz).

#### Electrical Specifications

Description	Minimum	Typical	Maximum	Units
Frequency Range	50		75	GHz
VSWR			1.11:1	
Insertion Loss			1	dB

Electrical Specification Notes:

VSWR measurement is the representation of the load used for testing

#### Mechanical Specifications

Waveguide Size WR-15  
 Section Length 1.5 in [38.1 mm]

Description	Flange 1	Waveguide	Flange 2
Interface	UG-385/U	WR-15	UG-385/U
Material	Brass	Brass	Brass
Plating	Gold	Gold	Gold
Color	Gold	Gold	Gold

**Compliance Certifications** (see [product page](#) for current document)

#### Plotted and Other Data

Notes:

Click the following link (or enter part number in "SEARCH" on website) to obtain additional part information including price, inventory and certifications: [WR-15 90 Degree Waveguide Twist With a UG-385/U Flange Operating From 50 GHz to 75 GHz PE-W15TW1001](#)

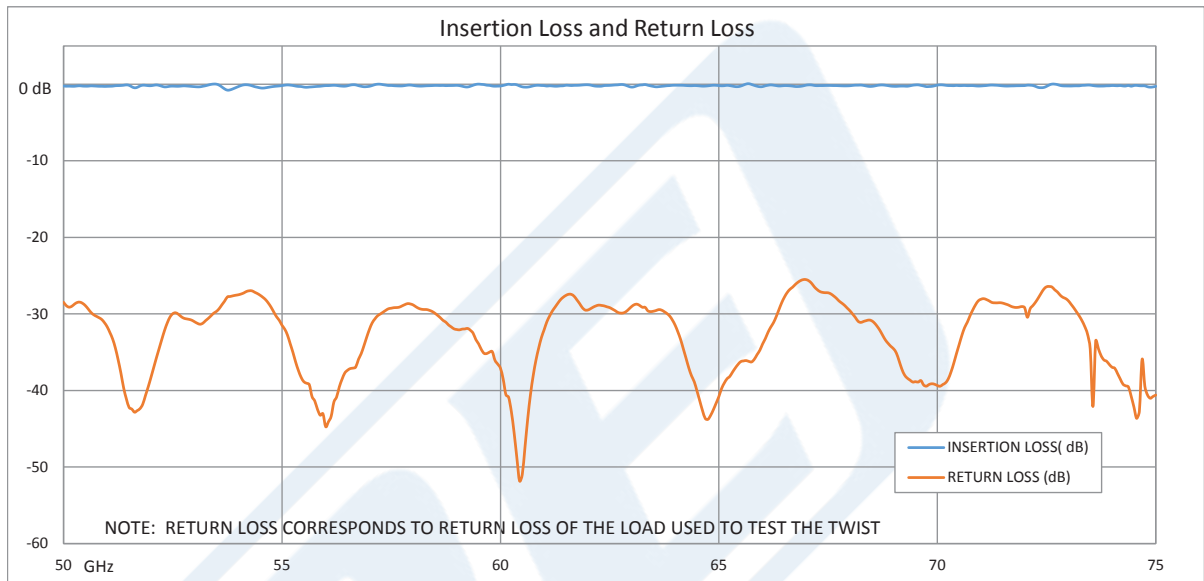


## WR-15 90 Degree Waveguide Twist With a UG-385/U Flange Operating From 50 GHz to 75 GHz

### Waveguide Twists Technical Data Sheet

PE-W15TW1001

#### Typical Performance Data



WR-15 90 Degree Waveguide Twist With a UG-385/U Flange Operating From 50 GHz to 75 GHz from Pasternack Enterprises has same day shipment for domestic and International orders. Our RF, microwave and millimeter wave products maintain a 99.4% availability and are part of the broadest selection in the industry.

Click the following link (or enter part number in "SEARCH" on website) to obtain additional part information including price, inventory and certifications: [WR-15 90 Degree Waveguide Twist With a UG-385/U Flange Operating From 50 GHz to 75 GHz PE-W15TW1001](https://www.pasternack.com/wr-15-90-degree-waveguide-twist-ug385-50-75-ghz-pe-w15tw1001-p.aspx)

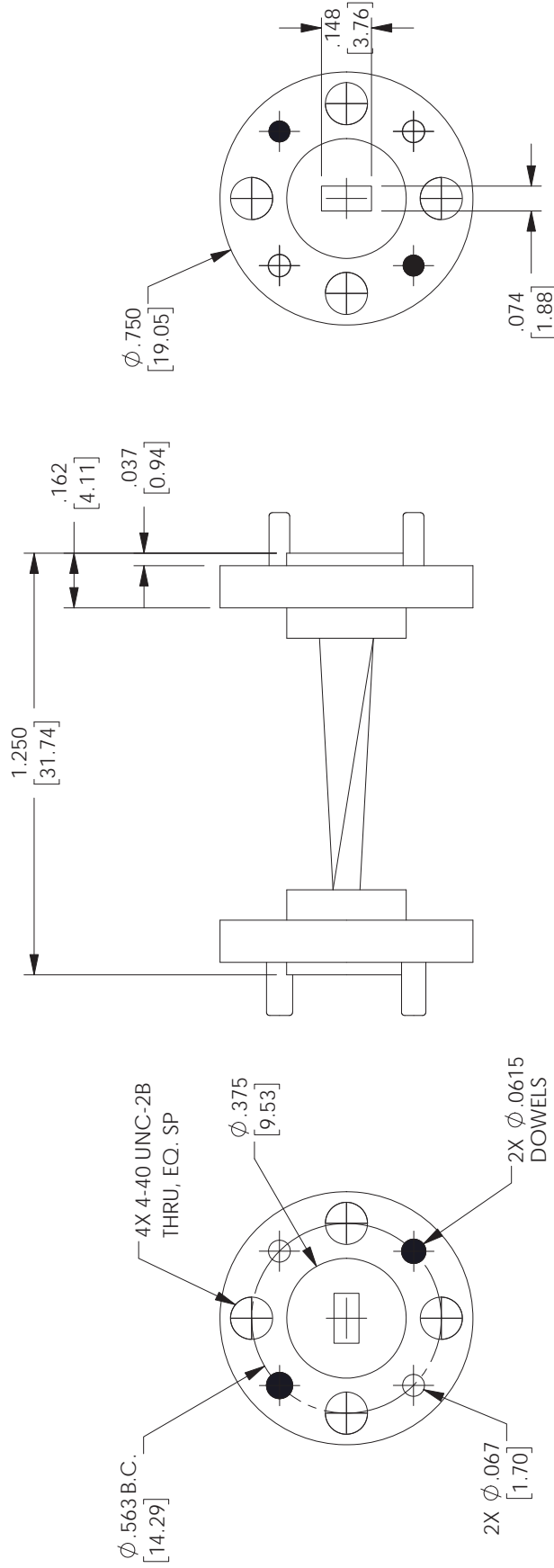
URL: <https://www.pasternack.com/wr-15-90-degree-waveguide-twist-ug385-50-75-ghz-pe-w15tw1001-p.aspx>

The information contained in this document is accurate to the best of our knowledge and representative of the part described herein. It may be necessary to make modifications to the part and/or the documentation of the part, in order to implement improvements. Pasternack reserves the right to make such changes as required. Unless otherwise stated, all specifications are nominal. Pasternack does not make any representation or warranty regarding the suitability of the part described herein for any particular purpose, and Pasternack does not assume any liability arising out of the use of any part or documentation.

# PE-W15TW1001 CAD Drawing

WR-15 90 Degree Waveguide Twist With a UG-385/U  
Flange Operating From 50 GHz to 75 GHz

REVISIONS			
REV.	DESCRIPTION	DATE	APPROVED
B	INITIAL RELEASE	06/23/2021	TGALLA



UNLESS OTHERWISE SPECIFIED  
LEADING DIMENSIONS ARE IN INCHES  
DIMENSIONS IN [ ] ARE MILLIMETERS

TOLERANCES:  
 X = +2 [5.08] FRACTIONS  
 XX = +.02 [ .51 ] ±.132  
 .XXX = ±.005 [ .13 ] ANGLES ± 1°  
 CABLE LENGTH (L) TOLERANCES:  
 L ≤ 12 [305] = +1 [25] / -0  
 12 [305] < L ≤ 60 [1524] = +2 [51] / -0  
 60 [1524] < L ≤ 120 [3048] = +4 [102] / -0  
 120 [3048] < L ≤ 300 [7620] = +6 [152] / -0  
 300 [7620] < L = +5% / -0

ALL DIMENSIONS SHOWN  
ARE FOR REFERENCE ONLY.

THIRD-ANGLE PROJECTION

THE INFORMATION AND  
DESIGN IN THIS DOCUMENT  
IS THE PROPERTY OF  
PASTERNAK CORPORATION  
ALL RIGHTS RESERVED.

SHEET 1 OF 1  
SCALE N/A

**PE PASTERNAK**  
an INFINITI brand

Pasternack Enterprises, Inc.  
P. O. Box 16759, Irvine, CA 92623.  
Phone: 1.949.261.1920 | 1.866.727.8376  
Fax: 1.949.261.7451  
Website: www.pasternack.com  
E-mail: sales@pasternack.com

SIZE	CAGE CODE	DRAWN BY	ITEM NO.
A	53919	DFRISIELLO	PE-W15TW1001

REV B

THESE COMMODITIES, TECHNOLOGY OR SOFTWARE WERE EXPORTED FROM THE UNITED STATES IN ACCORDANCE WITH THE EXPORT ADMINISTRATION REGULATIONS. DIVERSION CONTRARY TO U.S. LAW PROHIBITED.

T-Rev-D