



WR-10 Waveguide Continuously Variable  
Attenuator, 0 to 30 dB, from 75 GHz to 110 GHz,  
UG-387/U-Mod Round Cover Flange, Dial

TECHNICAL DATA SHEET

PE-W10AT002-30

Pasternack's Continuously Variable Waveguide Attenuators are offered for the frequency range of 33 to 110 GHz in five waveguide bands. The attenuation value of the Continuously Variable attenuators are from 0 to 30 dB with full waveguide operational bandwidth. The Continuously Variable attenuators are equipped with a micrometer, which enables rapid re-setting. With calibrated charts, attenuators can be used as direct reading attenuator for bench top test set use. The level setting attenuators are typically used in the test setups and prototype assemblies where certain attenuation is required.

- W-Band
- Rugged waveguide configuration
- Full band operation
- Up to 30 dB attenuation

**Configuration**

Design	Continuously Variable Attenuator
Waveguide	WR-10
Flange	UG-387/U-Mod
Body Material and Plating	Copper, Gold

**Electrical Specifications** Values at 25°C, sea level

Description	Minimum	Typical	Maximum	Units
Frequency Range	75		110	GHz
Impedance		50		Ohms
Typical Attenuation Value	0		30	dB
Insertion Loss			1	dB
Input Power			0.5	Watts

**Mechanical Specifications**

Description	Flange 1	Waveguide	Flange 2
Interface	UG-387/U-Mod	WR-10	UG-387/U-Mod
Material	Copper	Copper	Copper
Plating	Gold	Gold	Gold
Color	GLD	GLD	GLD

**Size**

Length	2.5 in [63.5 mm]
Width	0.75 in [19.05 mm]
Height	2.18 in [55.37 mm]
Weight	0.2435 lbs [110.45 g]

Click the following link (or enter part number in "SEARCH" on website) to obtain additional part information including price, inventory and certifications: [WR-10 Waveguide Continuously Variable Attenuator, 0 to 30 dB, from 75 GHz to 110 GHz, UG-387/U-Mod Round Cover Flange, Dial PE-W10AT002-30](#)



WR-10 Waveguide Continuously Variable  
Attenuator, 0 to 30 dB, from 75 GHz to 110 GHz,  
UG-387/U-Mod Round Cover Flange, Dial

TECHNICAL DATA SHEET

PE-W10AT002-30

**Compliance Certifications** (see [product page](#) for current document)

**Plotted and Other Data**

Notes:

- Values at 25 °C, sea level

WR-10 Waveguide Continuously Variable Attenuator, 0 to 30 dB, from 75 GHz to 110 GHz, UG-387/U-Mod Round Cover Flange, Dial from Pasternack Enterprises has same day shipment for domestic and International orders. Our RF, microwave and millimeter wave products maintain a 99.4% availability and are part of the broadest selection in the industry.

Click the following link (or enter part number in "SEARCH" on website) to obtain additional part information including price, inventory and certifications: [WR-10 Waveguide Continuously Variable Attenuator, 0 to 30 dB, from 75 GHz to 110 GHz, UG-387/U-Mod Round Cover Flange, Dial PE-W10AT002-30](#)

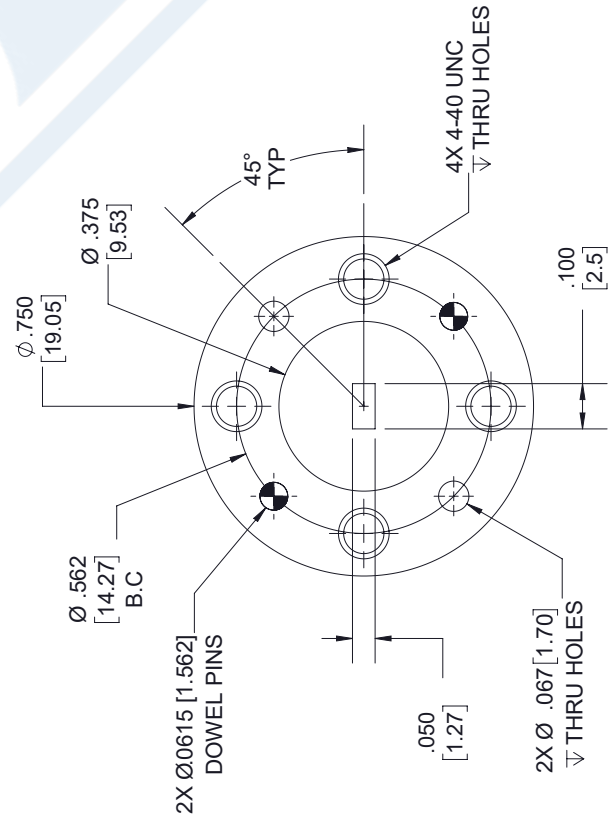
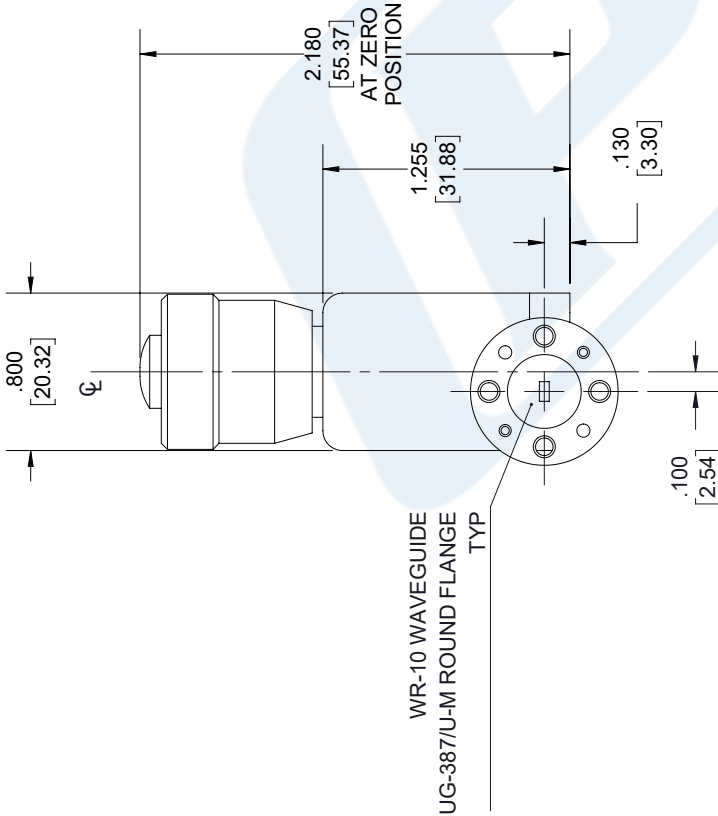
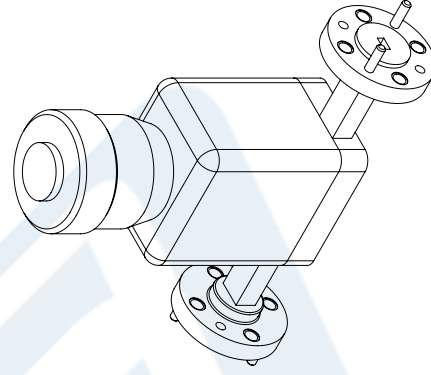
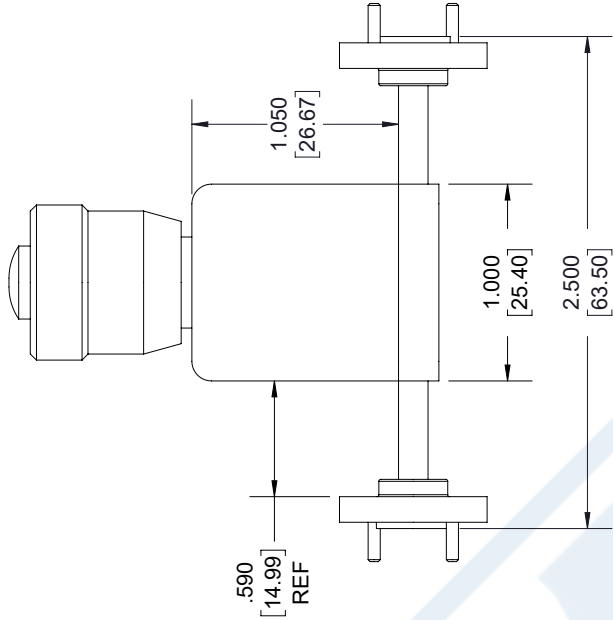
URL: <https://www.pasternack.com/wr-10-waveguide-continuously-variable-attenuator-30db-ug387-mod-round-pe-w10at002-30-p.aspx>

The information contained in this document is accurate to the best of our knowledge and representative of the part described herein. It may be necessary to make modifications to the part and/or the documentation of the part, in order to implement improvements. Pasternack reserves the right to make such changes as required. Unless otherwise stated, all specifications are nominal. Pasternack does not make any representation or warranty regarding the suitability of the part described herein for any particular purpose, and Pasternack does not assume any liability arising out of the use of any part or documentation.

# PE-W10AT002-30 CAD Drawing

WR-10 Waveguide Continuously Variable Attenuator, 0 to 30 dB, from 75 GHz to 110 GHz, UG-387/U-Mod Round Cover Flange, Dial

REVISIONS			
REV.	DESCRIPTION	DATE	APPROVED
A	INITIAL RELEASE	10/15/19	S. PONG



UNLESS OTHERWISE SPECIFIED LEADING DIMENSIONS ARE INCHES DIMENSIONS IN [ ] ARE MILLIMETERS

TOLERANCES:  
 X±.2 [5.08] FRACTIONS ±.132  
 .XX±.01 [ .25] ANGLES ± 1°  
 .XXX±.005 [ .13] ALL DIMENSIONS SHOWN ARE FOR REFERENCE ONLY.

THIRD-ANGLE PROJECTION

**PE PASTERNAK**  
 an INFINITO brand

Pasternack Enterprises, Inc.  
 P.O. Box 16759, Irvine, CA 92623.  
 Phone: 1.949.261.1920 | 1.866.727.8376  
 Fax: 1.949.261.7451  
 www.pasternack.com | e-mail: sales@pasternack.com

SIZE [CAGE CODE] DRAWN BY PART NUMBER  
 A 53919 K.DANG PE-W10AT002-30

THE INFORMATION AND DESIGN IN THIS DOCUMENT IS THE PROPERTY OF PASTERNAK CORPORATION. ALL RIGHTS RESERVED.  
 SHEET 1 OF 1  
 SCALE N/A

### FLANGE DETAIL

THESE COMMODITIES, TECHNOLOGY OR SOFTWARE WERE EXPORTED FROM THE UNITED STATES IN ACCORDANCE WITH THE EXPORT ADMINISTRATION REGULATIONS. DIVERSION CONTRARY TO U.S. LAW PROHIBITED.