



Low PIM 10 dB N Unequal Tapper from
 698 MHz to 2.7 GHz Rated to 300 Watts

RF Tappers Technical Data Sheet

PE-T2016A

Features

- Split Ratios Ranging from 1:3 to 1:1000
- Power Ratings up to 300 Watts
- Low PIM (150dBc) Low VSWR (1.15)
- Rugged Designs available with optional mounting brackets

Description

Pasternack's Line of High Power Wideband Tappers have been designed to maintain a Split Ratio across all frequencies between 380MHz and 6Ghz. There is minimal Insertion Loss, VSWR, and Low PIM. Mechanically the parts have no solder joints inside the Aluminum Casing and are IP65 / IP67 rated allowing for placement in rugged environments. This setup along with select bands optimization makes them ideal for Mobile Networks Infrastructure.

Electrical Specifications

| Description | Minimum | Typical | Maximum | Units |
|-------------------------|---------|---------|---------|--------|
| Frequency Range | 0.698 | | 2.7 | GHz |
| Split Ratio | | 9:1 | | |
| Impedance | | 50 | | Ohms |
| Coupling | | 10 ±0.4 | | dB |
| Coupling (C1 - C2) | | 0.5 | | dB |
| Insertion Loss | | | 0.17 | dB |
| VSWR | | 20.8:1 | | |
| Passive Intermodulation | | -160 | | dBc |
| Input Power (CW) | | | 300 | Watts |
| Input Power (Peak) | | | 3 | kWatts |

Click the following link (or enter part number in "SEARCH" on website) to obtain additional part information including price, inventory and certifications: [Low PIM 10 dB N Unequal Tapper from 698 MHz to 2.7 GHz Rated to 300 Watts PE-T2016A](#)



Low PIM 10 dB N Unequal Tapper from
698 MHz to 2.7 GHz Rated to 300 Watts

RF Tappers Technical Data Sheet

PE-T2016A

Mechanical Specifications

Size

| | |
|--------|--------------------|
| Length | 4 in [101.6 mm] |
| Width | 1 in [25.4 mm] |
| Height | 1.94 in [49.28 mm] |

| | |
|--------|----------------------|
| Weight | 0.692 lbs [313.89 g] |
|--------|----------------------|

| | |
|------------------------------|---------------------|
| Housing Material and Plating | Passivated Aluminum |
|------------------------------|---------------------|

Configuration

| | |
|-------------------|----------|
| Input Connector | N Female |
| Output Connector | N Female |
| Coupled Connector | N Female |

Environmental Specifications

| | |
|----------|------|
| Humidity | IP67 |
|----------|------|

Compliance Certifications (see [product page](#) for current document)

Plotted and Other Data

Notes:

Low PIM 10 dB N Unequal Tapper from 698 MHz to 2.7 GHz Rated to 300 Watts from Pasternack Enterprises has same day shipment for domestic and International orders. Our RF, microwave and millimeter wave products maintain a 99.4% availability and are part of the broadest selection in the industry.

Click the following link (or enter part number in "SEARCH" on website) to obtain additional part information including price, inventory and certifications: [Low PIM 10 dB N Unequal Tapper from 698 MHz to 2.7 GHz Rated to 300 Watts PE-T2016A](#)

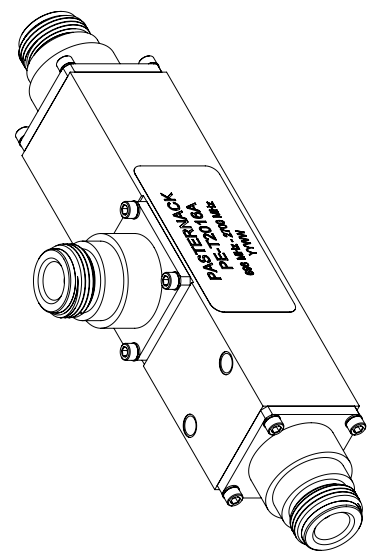
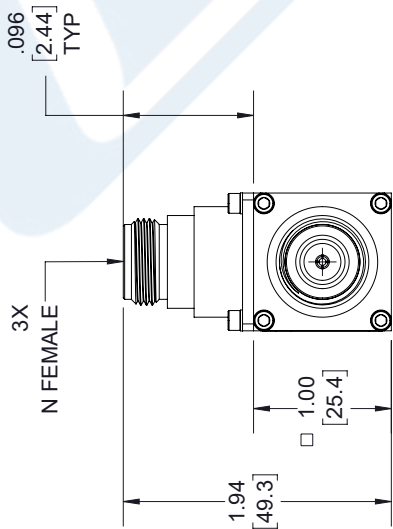
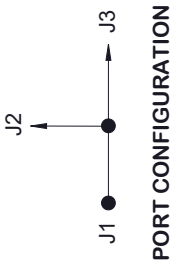
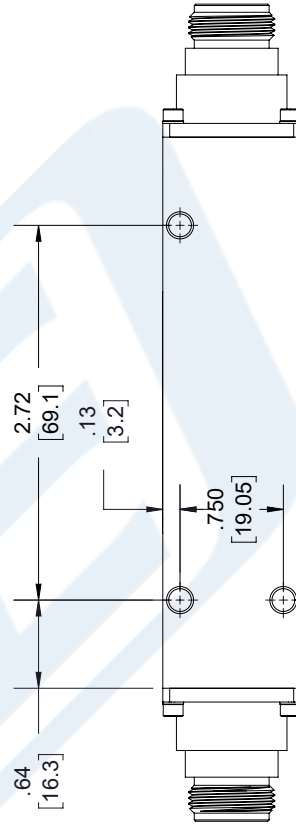
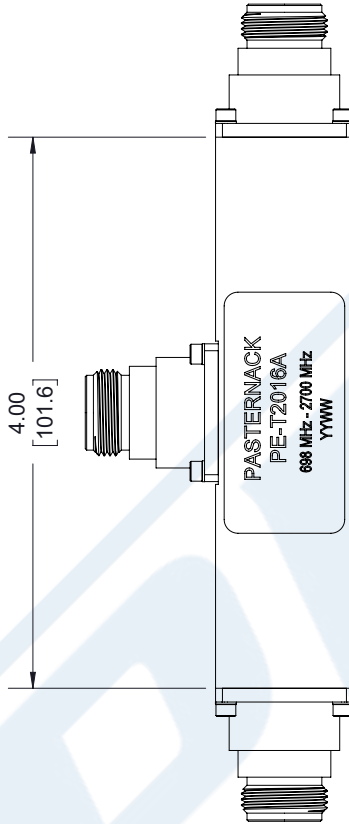
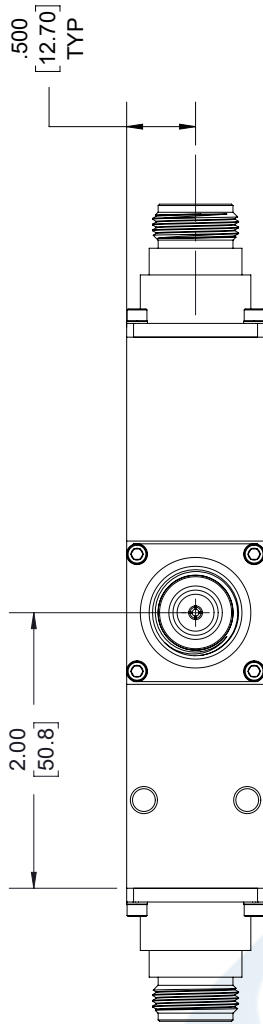
URL: <https://www.pasternack.com/low-pim-10db-n-unequaltapper-2.7-ghz-300watts-pe-t2016a-p.aspx>

The information contained in this document is accurate to the best of our knowledge and representative of the part described herein. It may be necessary to make modifications to the part and/or the documentation of the part, in order to implement improvements. Pasternack reserves the right to make such changes as required. Unless otherwise stated, all specifications are nominal. Pasternack does not make any representation or warranty regarding the suitability of the part described herein for any particular purpose, and Pasternack does not assume any liability arising out of the use of any part or documentation.

PE-T2016A CAD Drawing

Low PIM 10 dB N Unequal Tapper from 698 MHz to 2.7 GHz Rated to 300 Watts

| REVISIONS | | | |
|-----------|-----------------|----------|----------|
| REV. | DESCRIPTION | DATE | APPROVED |
| A | INITIAL RELEASE | 07/19/19 | S. PONG |



UNLESS OTHERWISE SPECIFIED LEADING DIMENSIONS ARE INCHES DIMENSIONS IN [] ARE MILLIMETERS

TOLERANCES:
 X±.2 [5.08]
 XX±.01 [25]
 .XXX±.005 [13]

FRACTIONS
 ±.132
 ANGLES ± 1°

ALL DIMENSIONS SHOWN ARE FOR REFERENCE ONLY.
 THIRD-ANGLE PROJECTION

THE INFORMATION AND DESIGN IN THIS DOCUMENT IS THE PROPERTY OF PASTERNAK CORPORATION. ALL RIGHTS RESERVED.

SHEET 1 OF 1
 SCALE N/A

PE PASTERNAK
 an INFINITO brand

Pasternack Enterprises, Inc.
 P.O. Box 16759, Irvine, CA 92623.
 Phone: 1.949.261.1920 | 1.866.727.8376
 Fax: 1.949.261.7451
 www.pasternack.com | e-mail: sales@pasternack.com

SIZE A CAGE 53919 DRAWN BY K.DANG PART NUMBER PE-T2016A REV A

THESE COMMODITIES, TECHNOLOGY OR SOFTWARE WERE EXPORTED FROM THE UNITED STATES IN ACCORDANCE WITH THE EXPORT ADMINISTRATION REGULATIONS. DIVERSION CONTRARY TO U.S. LAW PROHIBITED.