



4 Way N equal-tapper High Power From 700 MHz to 2.7 GHz Rated at 500 Watts

RF Tap Power Dividers Technical Data Sheet

PE-T1010

Features

- Optimized at Mobile Network Frequencies between 380 MHz to 6 GHz
- Low Loss and Low PIM, with VSWR as low as 1.15
- IP65 or IP67 Rated
- Available with High Power N or 7/16 DIN style connectors

Description

Pasternack's RF Tapper Power Dividers are designed to be wideband and low loss, with minimal reflections across Mobile Network bands between 380 MHz and 6 GHz. Their Air Dielectric and no Solder Joint designs make them ideal for indoor use, while the rugged construction ensures IP65 or IP67 outdoor performance.

Electrical Specifications

Description	Minimum	Typical	Maximum	Units
Frequency Range	0.7		2.7	GHz
Impedance		50		Ohms
Input VSWR			1.15:1	
Insertion Loss			6	dB
Passive Intermodulation		-150		dBc
Input Power (CW)			500	Watts
Input Power (Peak)			3	KWatts

Mechanical Specifications

Size	
Length	10.23 in [259.84 mm]
Width	3.29 in [83.57 mm]
Height	2.23 in [56.64 mm]
Weight	0.87 lbs [394.63 g]
Housing Material and Plating	Aluminum, Conversion Coating
Configuration	
Package Type	Connectorized
Input Connector	N Female
Output Connector	N Female

Click the following link (or enter part number in "SEARCH" on website) to obtain additional part information including price, inventory and certifications: [4 Way N equal-tapper High Power From 700 MHz to 2.7 GHz Rated at 500 Watts PE-T1010](#)



4 Way N equal-tapper High Power From 700 MHz to 2.7 GHz Rated at 500 Watts

RF Tap Power Dividers Technical Data Sheet

PE-T1010

Environmental Specifications

Ingress Protection (IP) Rating

IP67

Compliance Certifications (see [product page](#) for current document)

Plotted and Other Data

Notes:

4 Way N equal-tapper High Power From 700 MHz to 2.7 GHz Rated at 500 Watts from Pasternack Enterprises has same day shipment for domestic and International orders. Our RF, microwave and millimeter wave products maintain a 99.4% availability and are part of the broadest selection in the industry.

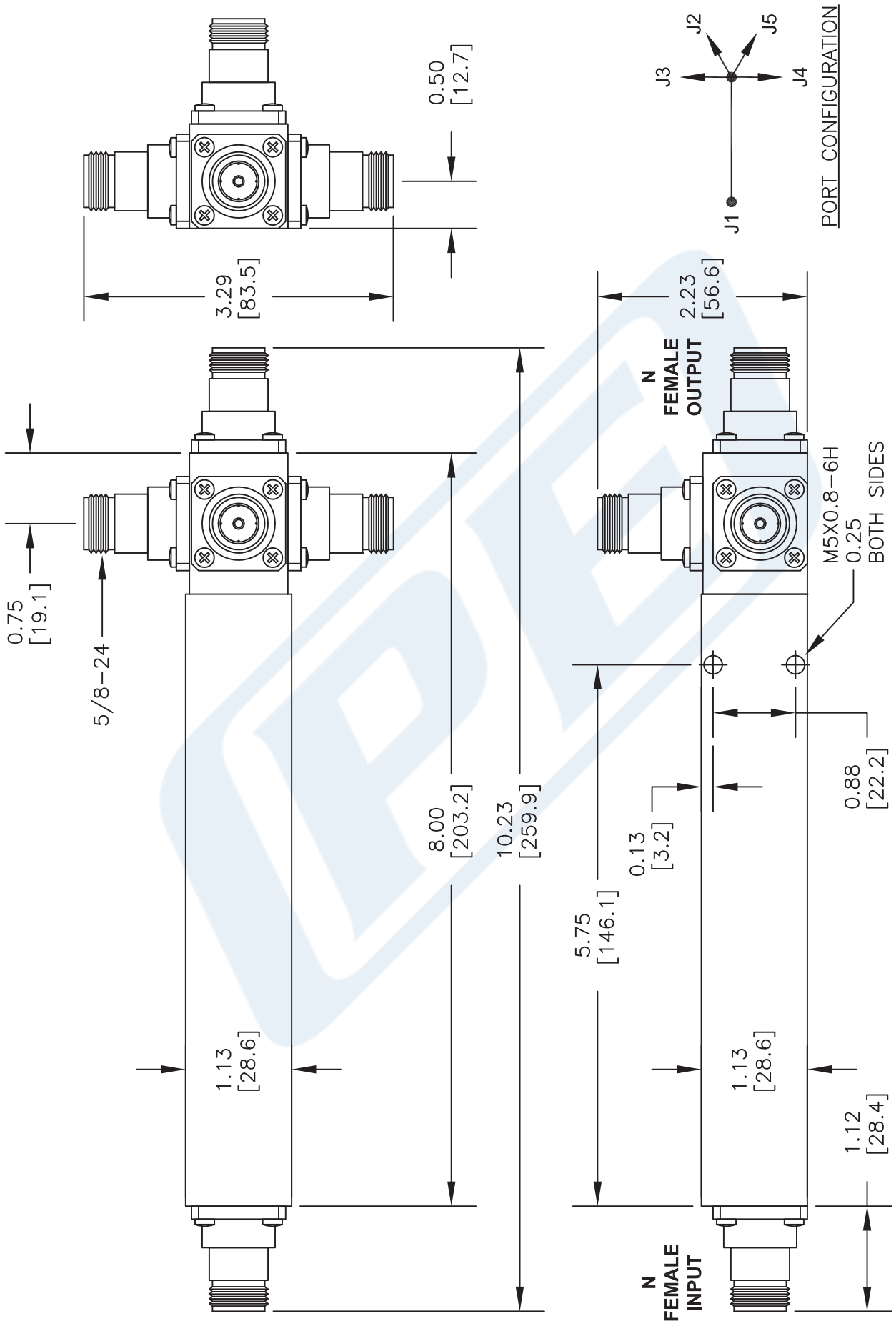
Click the following link (or enter part number in "SEARCH" on website) to obtain additional part information including price, inventory and certifications: [4 Way N equal-tapper High Power From 700 MHz to 2.7 GHz Rated at 500 Watts PE-T1010](#)

URL: <https://www.pasternack.com/4-way-n-equal-tapper-700-mhz-2.7-ghz-500watts-pe-t1010-p.aspx>

The information contained in this document is accurate to the best of our knowledge and representative of the part described herein. It may be necessary to make modifications to the part and/or the documentation of the part, in order to implement improvements. Pasternack reserves the right to make such changes as required. Unless otherwise stated, all specifications are nominal. Pasternack does not make any representation or warranty regarding the suitability of the part described herein for any particular purpose, and Pasternack does not assume any liability arising out of the use of any part or documentation.

PE-T1010 CAD Drawing

4 Way N equal-tapper High Power From 700 MHz to 2.7 GHz Rated at 500 Watts



* FOR OPTIONAL MOUNTING BRACKET, SEE PE1010.

- NOTES:
1. UNLESS OTHERWISE SPECIFIED ALL DIMENSIONS ARE NOMINAL.
 2. ALL SPECIFICATIONS ARE SUBJECT TO CHANGE WITHOUT NOTICE AT ANY TIME.
 3. DIMENSIONS ARE IN INCHES [mm].

DWG TITLE		FSCM NO. 53919	
PE-T1010		CAD FILE	081313
SCALE	N/A	SIZE	A
			2233

PE PASTERNAK®
 Pasternack Enterprises, Inc.
 P.O. Box 16759 | Irvine | CA | 92623
 Phone: (949) 261-1920 | Fax: (949) 261-7451
 Website: www.pasternack.com | E-Mail: sales@pasternack.com