



## Flexible PE-P047 Coax Cable Double Shielded with Blue FEP Jacket

### RF Cables Technical Data Sheet

PE-P047

#### Configuration

- Flexible Cable
- 2 Shield(s)

#### Electrical Specifications

Description	Minimum	Typical	Maximum	Units
Frequency Range	DC		50	GHz
Impedance		50		Ohms
Velocity of Propagation		70		%
Shielding Effectiveness	90			dB
Nominal Capacitance		29 [95.14]		pF/ft [pF/m]

#### Performance by Frequency Band

Description	F1	F2	F3	F4	F5	Units
Frequency	1	2	4	8	12	GHz
Attenuation, Typ	33.54	48.41	70.42	103.5	130.43	dB/100ft
	110.04	158.83	231.04	339.57	427.92	dB/100m

Description	F6	F7	F8	F9	F10	Units
Frequency	18	26	34	40	50	GHz
Attenuation, Typ	165.27	205.9	242.57	268.31	308.79	dB/100ft
	542.22	675.52	795.83	880.28	1,013.09	dB/100m

#### Mechanical Specifications

Diameter	0.056 in [1.42 mm]
Weight	0.037 lbs/ft [0.06 kg/m]
Min. Bend Radius (Installation)	0.2 in [5.08 mm]
Min. Bend Radius (Repeated)	0.4 in [10.16 mm]

Click the following link (or enter part number in "SEARCH" on website) to obtain additional part information including price, inventory and certifications: [Flexible PE-P047 Coax Cable Double Shielded with Blue FEP Jacket PE-P047](#)



## Flexible PE-P047 Coax Cable Double Shielded with Blue FEP Jacket

### RF Cables Technical Data Sheet

PE-P047

#### Construction Specifications

Description	Material and Plating	Diameter
Inner Conductor	Copper, Silver, 1 Strand	0.011 in [0.28 mm]
Conductor Type	Solid	
Dielectric	FEP	0.036 in [0.91 mm]
First Shield	Silver Plated Copper Tape	[ ]
Second Shield	Silver Plated Copper Braid 89% coverage	0.046 in [1.17 mm]
Jacket	FEP, Blue	0.056 in [1.42 mm]

#### Environmental Specifications

##### Temperature

Operating Range

-65 to +165 deg C

Storage Range

-65 to +200 deg C

**Compliance Certifications** (see [product page](#) for current document)

#### Plotted and Other Data

Notes:

Flexible PE-P047 Coax Cable Double Shielded with Blue FEP Jacket from Pasternack Enterprises has same day shipment for domestic and International orders. Our RF, microwave and millimeter wave products maintain a 99.4% availability and are part of the broadest selection in the industry.

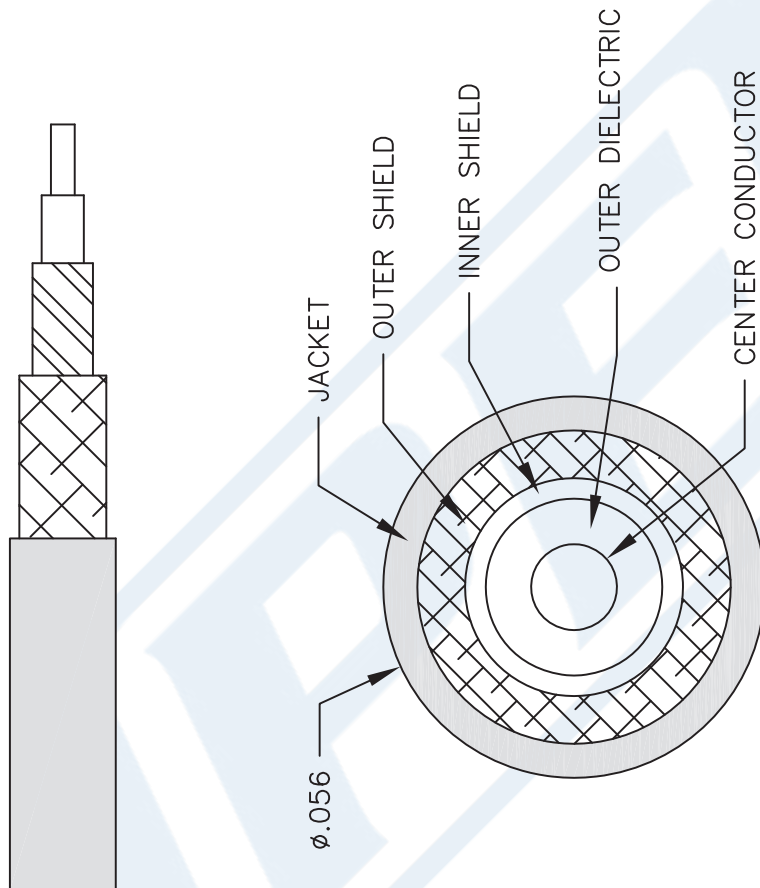
Click the following link (or enter part number in "SEARCH" on website) to obtain additional part information including price, inventory and certifications: [Flexible PE-P047 Coax Cable Double Shielded with Blue FEP Jacket PE-P047](#)

URL: <https://www.pasternack.com/precision-0.056-semirigid-replacement-50-ohm-coax-cable-fep-jacket-pe-p047-p.aspx>

The information contained in this document is accurate to the best of our knowledge and representative of the part described herein. It may be necessary to make modifications to the part and/or the documentation of the part, in order to implement improvements. Pasternack reserves the right to make such changes as required. Unless otherwise stated, all specifications are nominal. Pasternack does not make any representation or warranty regarding the suitability of the part described herein for any particular purpose, and Pasternack does not assume any liability arising out of the use of any part or documentation.

# PE-P047 CAD Drawing

Flexible PE-P047 Coax Cable Double Shielded with Blue FEP Jacket



NOTES:  
 1. UNLESS OTHERWISE SPECIFIED ALL DIMENSIONS ARE NOMINAL.  
 2. ALL SPECIFICATIONS ARE SUBJECT TO CHANGE WITHOUT NOTICE AT ANY TIME.  
 3. DIMENSIONS ARE IN INCHES (mm).

DWG TITLE  
**PE-P047**

FSCM NO. 53919

CAD FILE 111716

SCALE N/A

SIZE A

41742

**PE PASTERNAK**  
 THE ENGINEER'S RF SOURCE

Pasternack Enterprises, Inc.  
 P.O. Box 16759 | Irvine | CA | 92623

Phone: (949) 261-1920 | Fax: (949) 261-7451  
 Website: www.pasternack.com | E-Mail: sales@pasternack.com