



1 dB Fixed Attenuator, 75 Ohm N Male to 75 Ohm N Female
Brass Nickel Body Rated to 2 Watts Up to 4 GHz

RF Fixed Attenuators Technical Data Sheet

PE7044-1

Description

Pasternack carries a wide range of fixed attenuators with a broad selection of attenuation levels, frequency ranges, and power dissipation ranges. RF microwave attenuators (also known as RF pads) lower the amplitude of a signal (attenuate) a known amount and can be used in a wide variety of applications. These attenuator pads are used when a signal needs to be reduced to protect measurement equipment or other circuitry, to extend the range of power meters and amplifiers, and to impedance match circuits by reducing the VSWR seen by adjacent components. RF attenuators can prevent signal overload in amplifiers, receivers and detectors, adjusting the signal level to a range that is optimal.

Few RF components are as commonly used as fixed coaxial attenuators, and Pasternack carries one of the largest in-stock varieties and ships them same day. The 1 dB Fixed Attenuator PE7044-1 is rated to 2 Watts and operates from DC to 4 GHz. The versatile coaxial package uses type N male to type N female connectors and is also REACH and RoHS compliant.

Electrical Specifications

| Description | Minimum | Typical | Maximum | Units |
|---------------------|---------|---------|---------|-------|
| Frequency Range | DC | | 4 | GHz |
| Impedance | | 75 | | Ohms |
| Nominal Attenuation | | 1 | | dB |
| VSWR | | | 1.3:1 | |
| Input Power, CW | | | 2 | Watts |

Specifications by Frequency

| Description | F1 | F2 | F3 | F4 | F5 | Units |
|---------------------------|---------|----|----|----|----|-------|
| Range | DC to 4 | | | | | GHz |
| Attenuation Accuracy, Typ | 0.4 | | | | | dB |

Mechanical Specifications

Size

| | |
|---------------------------|---------------------|
| Length | 1.8 in [45.72 mm] |
| Width/Diameter | 0.8 in [20.32 mm] |
| Weight | 0.127 lbs [57.61 g] |
| Body Material and Plating | Brass, Nickel |

Configuration

| | |
|--------|----------------------|
| Design | Fixed, Bidirectional |
|--------|----------------------|

Click the following link (or enter part number in "SEARCH" on website) to obtain additional part information including price, inventory and certifications: [1 dB Fixed Attenuator, 75 Ohm N Male to 75 Ohm N Female Brass Nickel Body Rated to 2 Watts Up to 4 GHz PE7044-1](#)



1 dB Fixed Attenuator, 75 Ohm N Male to 75 Ohm N Female
Brass Nickel Body Rated to 2 Watts Up to 4 GHz

RF Fixed Attenuators Technical Data Sheet

PE7044-1

Connectors

| Description | Connector 1 | Connector 2 |
|--------------------------------------|------------------------|------------------------|
| Type | N Male | N Female |
| Contact Material and Plating | Beryllium Copper, Gold | Beryllium Copper, Gold |
| Outer Conductor Material and Plating | Beryllium Copper, Gold | |
| Coupling Nut Material and Plating | Brass, Nickel | |
| Body Material and Plating | Brass, Nickel | Brass, Nickel |

Environmental Specifications

Compliance Certifications (see [product page](#) for current document)

Plotted and Other Data

Notes:

1 dB Fixed Attenuator, 75 Ohm N Male to 75 Ohm N Female Brass Nickel Body Rated to 2 Watts Up to 4 GHz from Pasternack Enterprises has same day shipment for domestic and International orders. Our RF, microwave and millimeter wave products maintain a 99.4% availability and are part of the broadest selection in the industry.

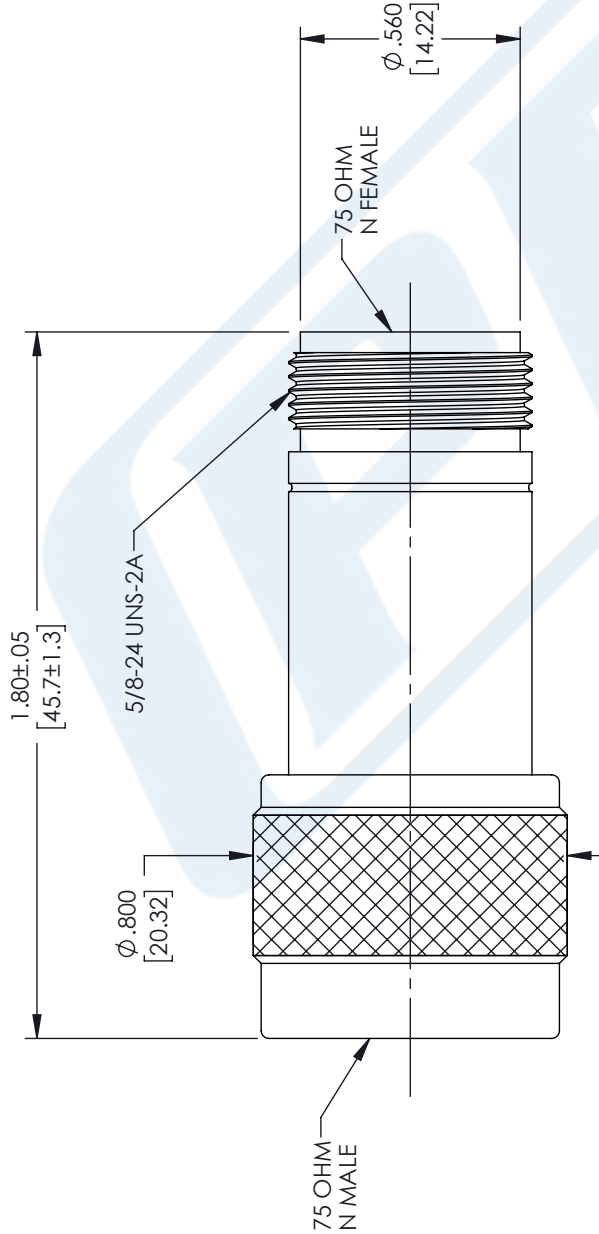
Click the following link (or enter part number in "SEARCH" on website) to obtain additional part information including price, inventory and certifications: [1 dB Fixed Attenuator, 75 Ohm N Male to 75 Ohm N Female Brass Nickel Body Rated to 2 Watts Up to 4 GHz PE7044-1](#)

URL: <https://www.pasternack.com/1db-fixed-n-male-n-female-2-watts-attenuator-pe7044-1-p.aspx>

PE7044-1 CAD Drawing

1 dB Fixed Attenuator, 75 Ohm N Male to 75 Ohm N Female
Brass Nickel Body Rated to 2 Watts Up to 4 GHz

| REVISIONS | | | |
|-----------|-----------------------|------------|----------|
| REV. | DESCRIPTION | DATE | APPROVED |
| B | PCR PE7044-3 20220822 | 08/31/2022 | SPONG |



| P/N | ATTEN. |
|-----------|--------|
| PE7044-1 | 1 dB |
| PE7044-2 | 2 dB |
| PE7044-3 | 3 dB |
| PE7044-6 | 6 dB |
| PE7044-10 | 10 dB |
| PE7044-20 | 20 dB |
| PE7044-30 | 30 dB |

UNLESS OTHERWISE SPECIFIED
LEADING DIMENSIONS ARE INCHES
DIMENSIONS IN [] ARE MILLIMETERS

TOLERANCES:
 .X = ±.2 [5.08] FRACTIONS ± 1/32
 .XX = ±.02 [.51] ANGLES ± 1°
 .XXX = ±.005 [.13]
 CABLE LENGTH (L), TOLERANCES:
 L ≤ 12 [305] = +1 [25] / -0
 12 [305] < L ≤ 60 [1524] = +2 [51] / -0
 60 [1524] < L ≤ 120 [3048] = +4 [102] / -0
 120 [3048] < L ≤ 300 [7620] = +6 [152] / -0
 300 [7620] < L = +5% / -0

ALL DIMENSIONS SHOWN
ARE FOR REFERENCE ONLY.

PE PASTERNAK
an INFINIT brand

Pasternack Enterprises, Inc.
P. O. Box 16759, Irvine, CA 92623.
Phone: 1.949.261.1920 | 1.866.727.8376
Fax: 1.949.261.7451
Website: www.pasternack.com
E-mail: sales@pasternack.com

THIRD-ANGLE PROJECTION

THE INFORMATION AND DESIGN IN THIS DOCUMENT IS THE PROPERTY OF PASTERNAK CORPORATION ALL RIGHTS RESERVED.

SHEET 1 OF 1
SCALE N/A

CAGE CODE 53919
DRAWN BY KGLEBOVA
ITEM NO. PE7044
REV B

THESE COMMODITIES, TECHNOLOGY OR SOFTWARE WERE EXPORTED FROM THE UNITED STATES IN ACCORDANCE WITH THE EXPORT ADMINISTRATION REGULATIONS. DIVERSION CONTRARY TO U.S. LAW PROHIBITED.