



Rotary Joint Operating to 18 GHz SMA Female SMA Female Connectors

TECHNICAL DATA SHEET

PE1406

Configuration

Connector 1	SMA Female
Impedance 1	50 Ohms
Connector 2	SMA Female
Impedance 2	50 Ohms
Adapter Design	Standard
Body Style	Straight
Mount Method	3 Hole Flange

Electrical Specifications (Values at 25°C, sea level)

Description	Minimum	Typical	Maximum	Units
Frequency Range	DC		18	GHz
VSWR			1.4:1	
Input Power			30	Watts
Peak Power			3	kWatts

Specifications by Frequency

Description	F1	F2	F3	F4	F5	Units
Range	DC to 6	6 to 12.4	12.4 to 18			GHz
VSWR	1.15:1	1.3:1	1.4:1			
Insertion Loss	0.3	0.4	0.6			dB
Power Handling	200	40	30			Watts

Mechanical Specifications

Description	Minimum	Typical	Maximum	Units
Speed		100		RPM

Temperature

Operating Range -40 to +70 deg C

Size

Length 1.37 in [34.8 mm]
 Width 1 in [25.4 mm]
 Weight 0.0622 lbs [28.21 g]

Click the following link (or enter part number in "SEARCH" on website) to obtain additional part information including price, inventory and certifications: [Rotary Joint Operating to 18 GHz SMA Female SMA Female Connectors PE1406](#)



Rotary Joint Operating to 18 GHz SMA Female SMA Female Connectors

TECHNICAL DATA SHEET

PE1406

Connectors

Description	Connector 1	Connector 2
Type	SMA Female	SMA Female
Mating Cycles	500	500
Inner Conductor Material and Plating	Beryllium Copper, Gold	Beryllium Copper, Gold
Inner Conductor Plating Specification	ASTMA582	
Body Material and Plating	Stainless Steel, Passivated Stainless Steel	Stainless Steel, Passivated Stainless Steel
Body Plating Specification	ASTMA582	
Dielectric Type	PTFE	PTFE

Compliance Certifications (see [product page](#) for current document)

Plotted and Other Data

Rotary Joint Operating to 18 GHz SMA Female SMA Female Connectors from Pasternack Enterprises has same day shipment for domestic and International orders. Our RF, microwave and millimeter wave products maintain a 99.4% availability and are part of the broadest selection in the industry.

Click the following link (or enter part number in "SEARCH" on website) to obtain additional part information including price, inventory and certifications: [Rotary Joint Operating to 18 GHz SMA Female SMA Female Connectors PE1406](#)

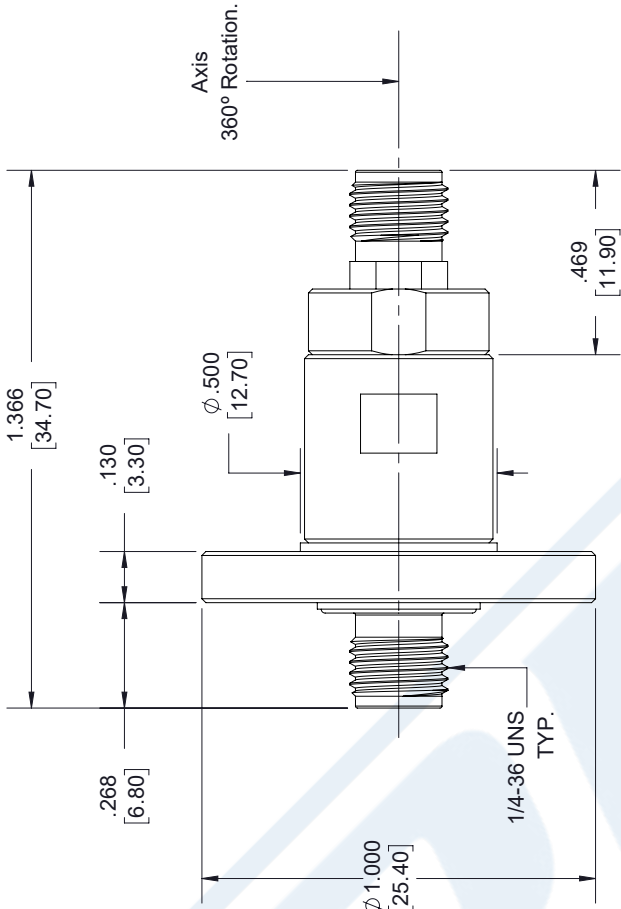
URL: <https://www.pasternack.com/rotary-joint-18-ghz-sma-female-sma-female-connectors-pe1406-p.aspx>

The information contained in this document is accurate to the best of our knowledge and representative of the part described herein. It may be necessary to make modifications to the part and/or the documentation of the part, in order to implement improvements. Pasternack reserves the right to make such changes as required. Unless otherwise stated, all specifications are nominal. Pasternack does not make any representation or warranty regarding the suitability of the part described herein for any particular purpose, and Pasternack does not assume any liability arising out of the use of any part or documentation.

PE1406 CAD Drawing

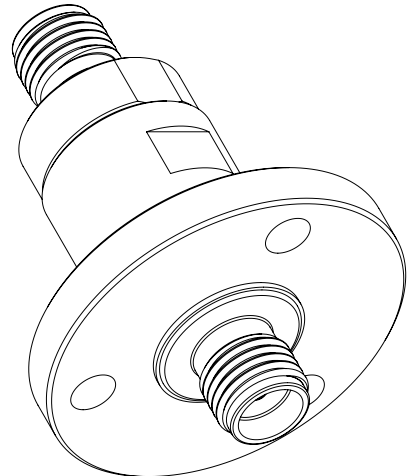
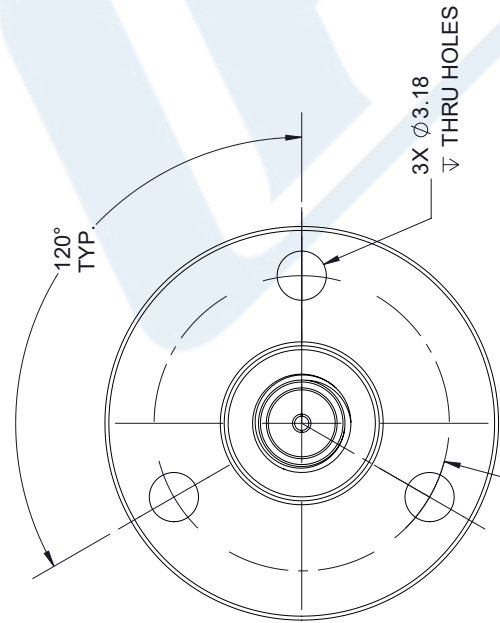
Rotary Joint Operating to 18 GHz SMA Female SMA Female Connectors

REVISIONS			
REV.	DESCRIPTION	DATE	APPROVED
A	INITIAL RELEASE	04/09/19	S.ELLIS



SMA FEMALE

SMA FEMALE



<p>UNLESS OTHERWISE SPECIFIED LEADING DIMENSIONS ARE INCHES DIMENSIONS IN [] ARE MILLIMETERS</p> <p>TOLERANCES:</p> <table border="0"> <tr> <td>X±.2</td> <td>[5.08]</td> <td>FRACTIONS</td> </tr> <tr> <td>.XX±.01</td> <td>[.25]</td> <td>±.132</td> </tr> <tr> <td>.XXX±.005</td> <td>[.13]</td> <td>ANGLES ± 1°</td> </tr> </table> <p>ALL DIMENSIONS SHOWN ARE FOR REFERENCE ONLY.</p> <p>THIRD-ANGLE PROJECTION</p>		X±.2	[5.08]	FRACTIONS	.XX±.01	[.25]	±.132	.XXX±.005	[.13]	ANGLES ± 1°	<p>THE INFORMATION AND DESIGN IN THIS DOCUMENT IS THE PROPERTY OF PASTERNAK CORPORATION. ALL RIGHTS RESERVED.</p> <p>SHEET 1 OF 1</p> <p>SCALE N/A</p>	
X±.2	[5.08]	FRACTIONS										
.XX±.01	[.25]	±.132										
.XXX±.005	[.13]	ANGLES ± 1°										
<p>PE PASTERNAK an INFINITO brand</p> <p>Pasternack Enterprises, Inc. P.O. Box 16759, Irvine, CA 92623. Phone: 1.949.261.1920 1.866.727.8376 Fax: 1.949.261.7451 www.pasternack.com e-mail: sales@pasternack.com</p>		<p>REV A</p>										
<p>SIZE A</p>	<p>CAGE 53919</p>	<p>DRAWN BY K.DANG</p>	<p>PART NUMBER PE1406</p>									

THESE COMMODITIES, TECHNOLOGY OR SOFTWARE WERE EXPORTED FROM THE UNITED STATES IN ACCORDANCE WITH THE EXPORT ADMINISTRATION REGULATIONS. DIVERSION CONTRARY TO U.S. LAW PROHIBITED.